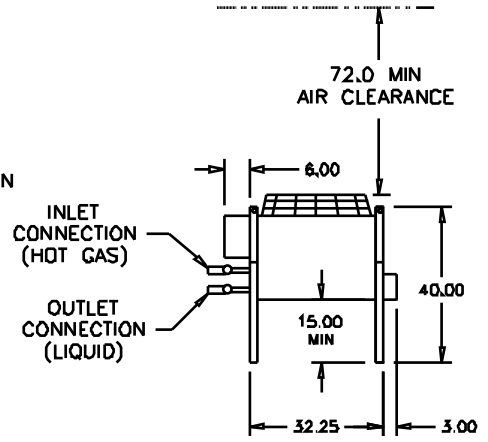
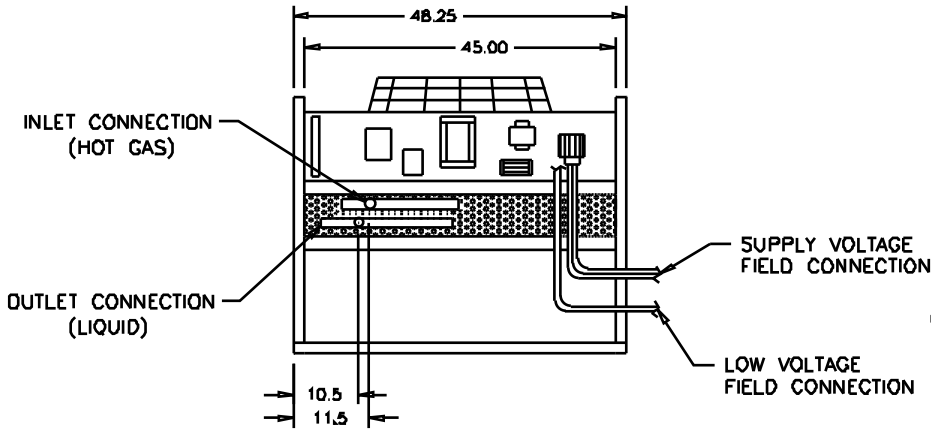


RECOMMENDED CLEARANCE FOR ELECTRICAL AND COMPONENT ACCESS TO BE 36" CLEARANCE FOR ALL OTHER SIDES TO BE 24"

MODEL NUMBER	LENGTH	UNIT NET WT.,#	PIPE CONNECTION SIZES (COPPER STUB,OD)		QTY, MOTORS
			HOT GAS	LIQUID	
DARC 06	32-1/4"	220	1-1/8	7/8	1
DARC 07	32-1/4"	250	1-1/8	7/8	1
DARC 09	32-1/4"	270	1-1/8	7/8	1
DARC 11	62-1/4"	300	1-1/8	7/8	2
DARC 15	62-1/4"	310	1-1/8	7/8	2
DARC 17	62-1/4"	320	1-3/8	7/8	2
DARC 21	92-1/4"	450	1-1/8	7/8	3

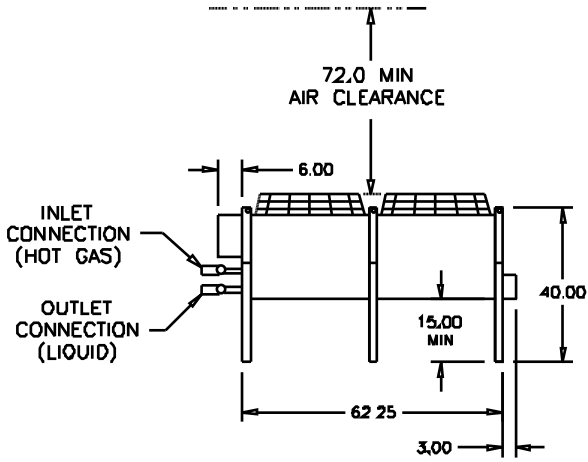
STANDARD CONDENSER				
H.P.	RPM	TOTAL CFM	MOTOR FLA	
			208/230v	460v
3/4	1075	5000	4.2	2.1
3/4	1075	4900	4.2	2.1
3/4	1075	4800	4.2	2.1
3/4	1075	10400	8.4	4.2
3/4	1075	10000	8.4	4.2
3/4	1075	9800	8.4	4.2
3/4	1075	15000	12.6	6.3

LOW DECIBEL CONDENSER				
H.P.	RPM	TOTAL CFM	MOTOR FLA	
			208/230v	460v
1/2	850	4000	3.2	1.6
1/2	850	3900	3.2	1.6
1/2	850	3800	3.2	1.6
1/2	850	8300	6.4	3.2
1/2	850	8000	6.4	3.2
1/2	850	7800	6.4	3.2
1/2	850	12000	9.6	4.8

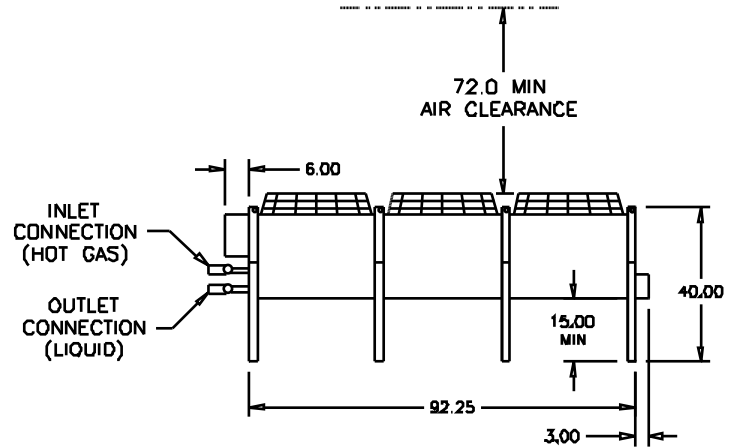


**SINGLE CIRCUIT CONNECTION LOCATION**

**1 FAN UNIT, MODEL 6 THRU 9**



**2 FAN UNIT, MODEL 11 THRU 17**



**3 FAN UNIT, MODEL 21**