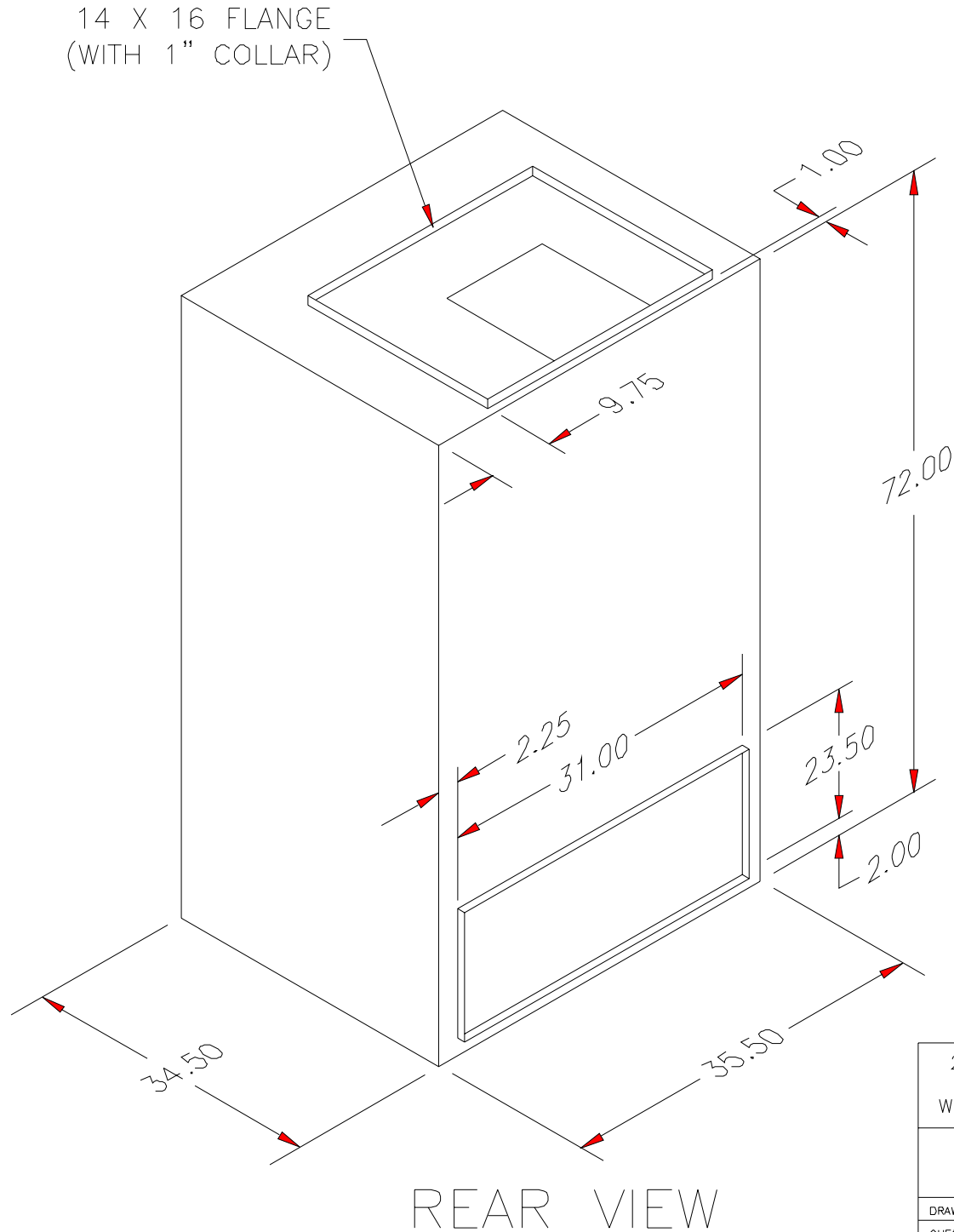


Data Temp  
Upflow 2 - 5 ton  
Rear Return



REVISIONS			
REV	DESCRIPTION	DATE	BY
-	RELEASED	01-19-06	GS
A	MODIFIED TITLE BLOCK	04-12-06	GS

2-5 TON DATA TEMP UPFLOW UNIT WITH REAR RETURN AIR			
DATA AIRE INC.			
DRAWN BY : G.SALDIVAR		SCALE : NONE	
CHECKED BY :		DIR	SALES
DATE : 01-19-06			
MATERIAL:			
PART OF			
NEWDTBACKRE-1			
PART NO.			