

NOTES:

- △ DIMENSION "C" IS TOTAL HEIGHT SPECIFIED ON ORDER AND SHOULD EQUAL HEIGHT FROM BUILDING FLOOR TO RAISED FLOOR. THE STAND WILL BE BUILT 2 INCHES LESS THAN SPECIFIED AND HAVE ADJUSTABLE LEGS TO PROVIDE +2/-1 INCHES FROM THE SPECIFIED HEIGHT.
- △ SPECIFIED HEIGHT MUST BE BETWEEN 12 AND 24 INCHES IN 2 INCH INCREMENTS (12, 14, 16, 18, 20, 22, 24).
- 3. DOWNFLOW UNITS USING FLOORSTANDS OR JACKSTANDS ARE SUBJECTED TO ADDITIONAL STATIC PRESSURE LOSSES, DEPENDING ON THE AIRFLOW AND STAND HEIGHT. THE NEXT SIZE MOTOR OPTION MAY BE REQUIRED ON SOME FLOOR HEIGHTS.
- 4. 1 1/2 X 1 1/2 X 1/8 ANGLE FRAME CONSTRUCTION.
- △ INNER VERTICAL SUPPORTS AND ADJUSTABLE LEG PLACEMENT, WILL VARY BASED ON THE UNIT SIZE AND WEIGHT.
- △ VIBRATION ISOLATION PADS ARE OPTIONAL.
- △ DEPTH OF DATA AIRE UNITS WITH OPTIONAL ENERGY SAVER OR AUXILIARY CHILLED WATER COIL INCREASES TO 38.50".

REVISIONS				
REV	DESCRIPTION	DATE	BY	FROM
E	UPDATED VERTICAL SUPPORT USAGE & NOTES: ADDED GFORCE ULTRA TABLE	05-26-15	RRK	-

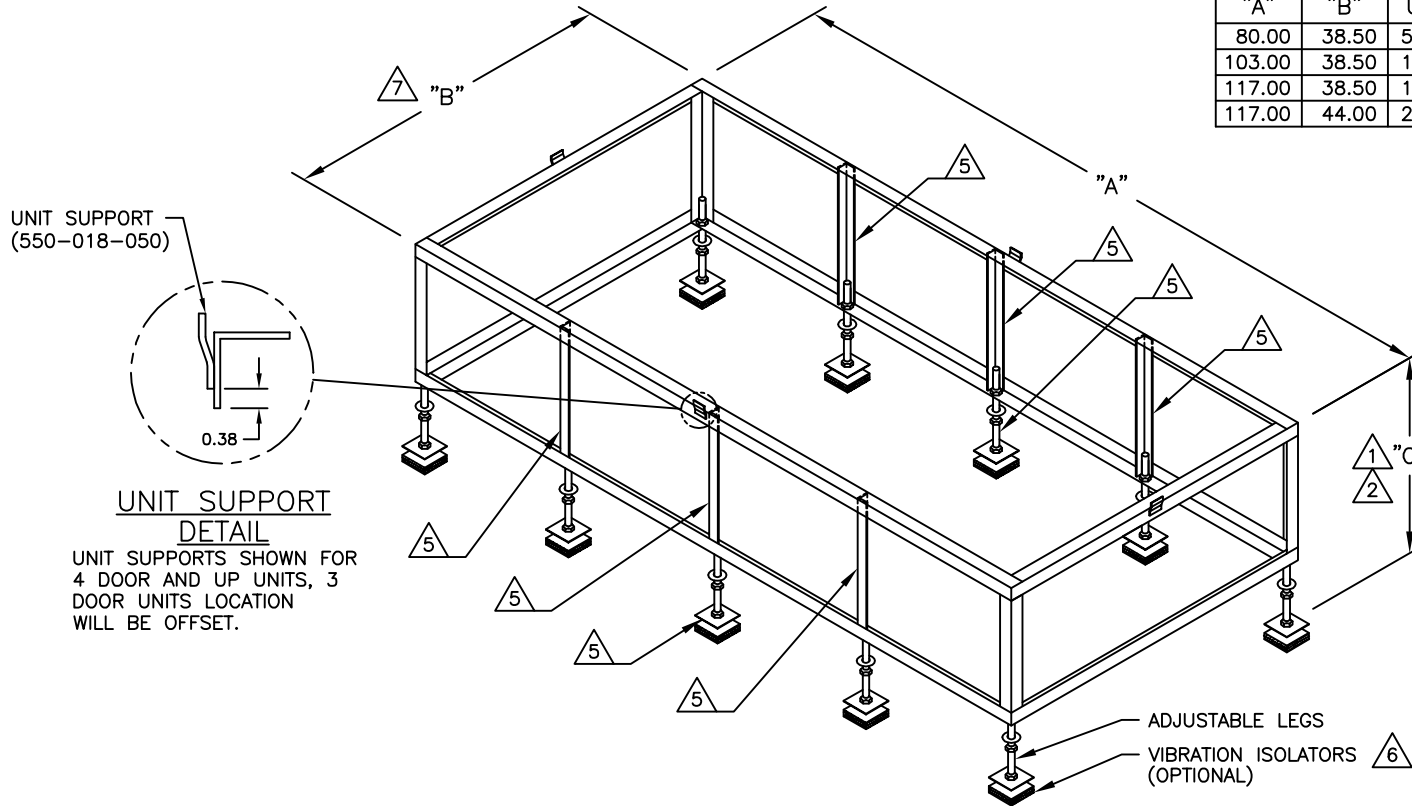
DATA AIRE CHILLED WATER UNITS		
"A"	"B"	UNIT SIZE (TON)
40.25	32.50	7, 9, 11, 13
71.75	32.50	15, 18, 22, 26
91.00	32.50	30 (DOWNFLOW)
103.25	32.50	30 (UPFLOW)
122.50	32.50	40, 45, 50


DATA AIRE DX UNITS		
"A"	"B"	UNIT SIZE (TON)
59.50	32.50	6, 8, 10
72.00	32.50	13
91.00	32.50	16, 20, 26
122.50	32.50	30

gForce CHILLED WATER UNITS		
"A"	"B"	UNIT SIZE (KW)
80.00	38.50	53, 63, 77, 91
103.00	38.50	106
117.00	38.50	141, 158, 176
117.00	44.00	211

gForce DX UNITS		
"A"	"B"	UNIT SIZE (KW)
69.50	38.50	21, 28, 35
69.50	38.50	46
97.00	38.50	56, 70, 91
127.00	38.50	106

gForce ULTRA DX UNITS		
"A"	"B"	UNIT SIZE (KW)
50.50	38.50	22
69.50	38.50	36, 45
103.00	38.50	70, 91
136.50	38.50	125



FLOORSTAND FOR gForce & DATA AIRE DX & CHILLED WATER UNITS			
			
DRAWN BY : J. PATTON		SCALE: NONE	
CHECKED BY :		SH 1 OF 1	
DATE : 06-14-2010		REV	E
PART OF			
560-918-001 DWG NO.			