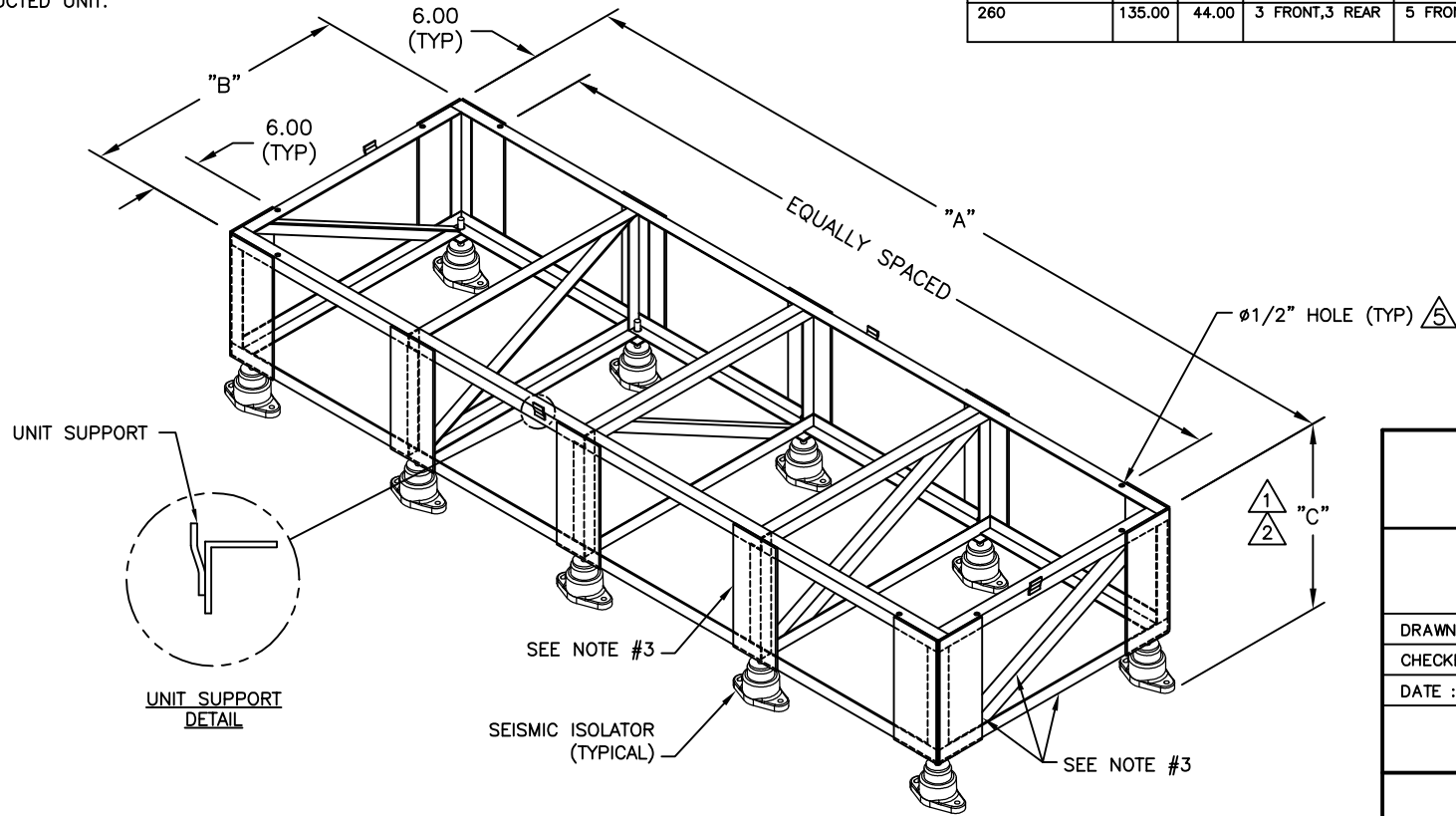


**NOTES:**

1. DIMENSION "C" IS THE TOTAL HEIGHT SPECIFIED ON ORDER. THE SEISMIC STAND FRAMING, WILL BE BUILT 6 INCHES LESS THAN THE TOTAL HEIGHT SPECIFIED, AND WILL HAVE SEISMIC ISOLATORS THAT PROVIDE ±0.75" INCHES OF ADJUSTMENT FROM THE SPECIFIED HEIGHT.
2. TOTAL SPECIFIED HEIGHT MUST BE BETWEEN 18 AND 36 INCHES HIGH.
3. 1 1/2 X 1 1/2 X 1/8 ANGLE FRAME CONSTRUCTION. 1/4" PLATE CONSTRUCTION AT CORNERS & INTERMEDIATE VERTICAL LOCATIONS.
4. INTERMEDIATE VERTICAL SUPPORTS AND SEISMIC ISOLATOR PLACEMENT WILL VARY, BASED ON THE UNIT SIZE AND WEIGHT. SEE UNIT TABLES.
5. USE 3/8" GRADE 5 BOLTS, WITH 1" OD WASHERS TO MOUNT CRAH TO FLOOR STAND.
6. BASE IS ONLY CERTIFIABLE TO SEISMIC IBC OR OSHPD STANDARDS WHEN FURNISHED WITH SEISMIC CONSTRUCTED UNIT.

REVISIONS				
REV	DESCRIPTION	DATE	BY	FROM
B	UPDATED HEIGHT RANGE TO MATCH PSG	12-07-16	RK	JB

gForce CHILLED WATER UNITS					
UNIT SIZE (KW)	"A"	"B"	INTERMEDIATE VERTICAL SUPPORTS	QUANTITY OF ISOLATORS	MOUNTING HOLES
07, 11, 14, 18	33.00	38.50	-	2 FRONT, 2 REAR	2 FRONT & REAR, (4) TOTAL
25, 32, 39, 46	46.50	38.50	-	2 FRONT, 2 REAR	2 FRONT & REAR, (4) TOTAL
53, 63, 77, 91	80.00	38.50	1 FRONT, 1 REAR	3 FRONT, 3 REAR	3 FRONT & REAR, 2 LEFT & RIGHT, (10) TOTAL
106	103.00	38.50	2 FRONT, 2 REAR	4 FRONT, 4 REAR	4 FRONT & REAR, 2 LEFT & RIGHT, (12) TOTAL
141, 158, 176	117.00	38.50	2 FRONT, 2 REAR	4 FRONT, 4 REAR	5 FRONT & REAR, 2 LEFT & RIGHT, (14) TOTAL
211	117.00	44.00	2 FRONT, 2 REAR	4 FRONT, 4 REAR	5 FRONT & REAR, 2 LEFT & RIGHT, (14) TOTAL
260	135.00	44.00	3 FRONT, 3 REAR	5 FRONT, 5 REAR	5 FRONT & REAR, 2 LEFT & RIGHT, (14) TOTAL



SEISMIC BASE FOR gForce CHILLED WATER UNITS			
<b>dataaire</b>			
DRAWN BY :	RRK	SCALE:	NONE
CHECKED BY :		SH	1 OF 1
DATE :	02-02-2016	REV	B
PART OF			
<b>560-919-007</b>			
DWG NO.			