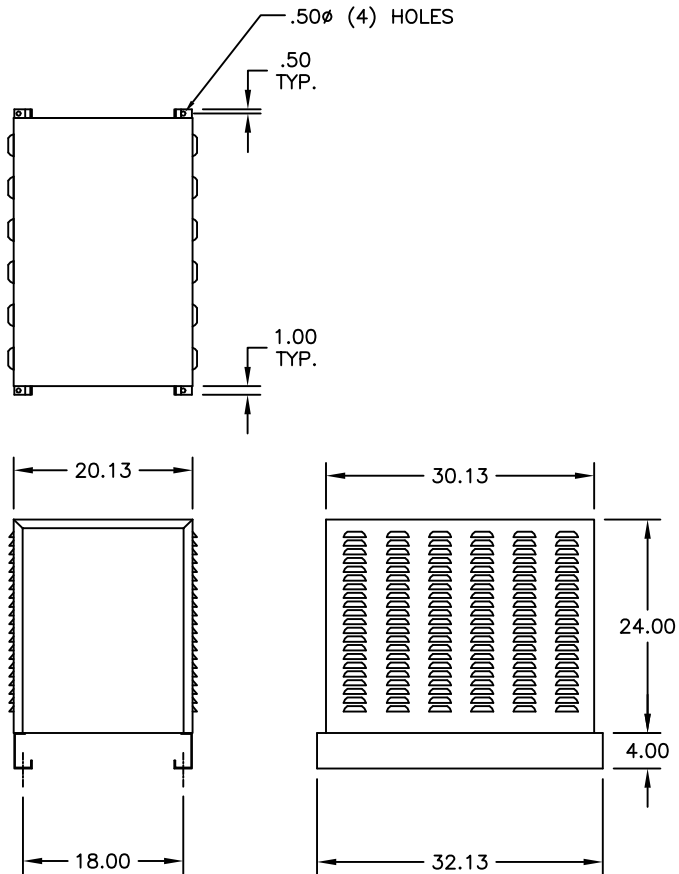
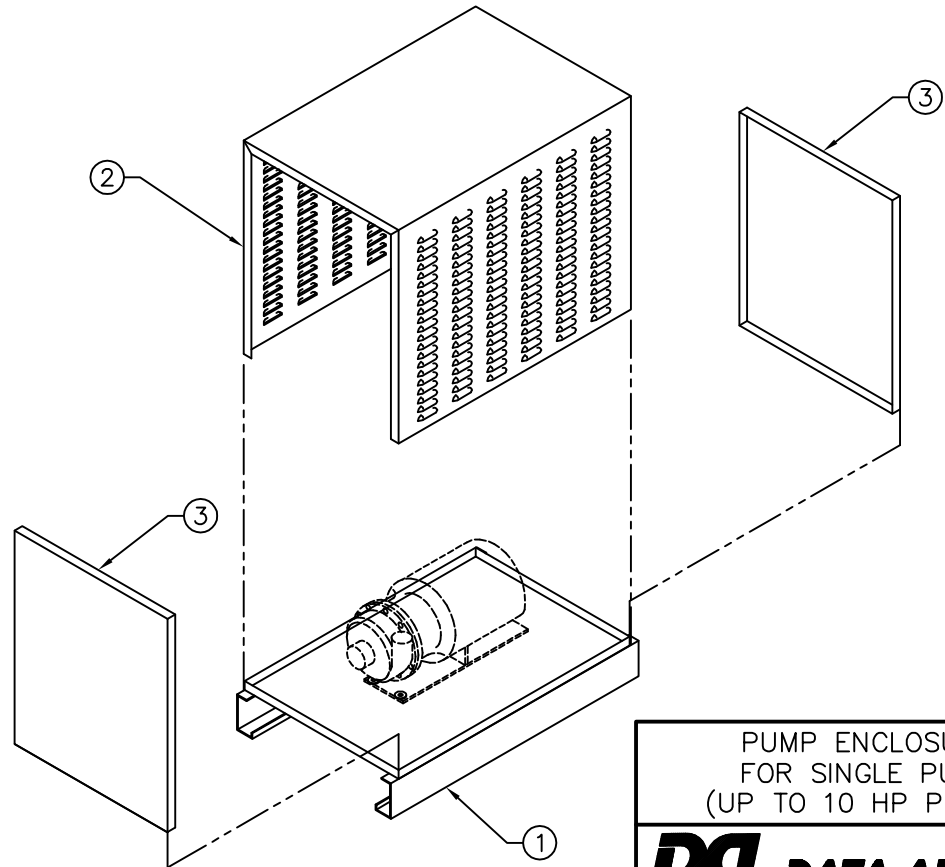


NOTES:

1. REFER TO UNIT INSTALLATION MANUAL FOR RECOMMENDED PIPING.
2. ISOLATION PADS OR EQUIVALENT ARE RECOMMENDED FOR MOUNTING THE ENCLOSURE TO STRUCTURE.
3. PUMPS ARE MOUNTED WITHIN ENCLOSURE WHEN ORDERED TOGETHER.
4. IN COLD CLIMATE AREA, ENCLOSURE SHOULD BE MOUNTED ABOVE EXPECTED SNOW LEVEL.



REVISIONS			
REV	DESCRIPTION	DATE	BY
G	UPDATE TITLEBLOCK AND DRAWING FORMAT	08-13-13	JAP



ASSEMBLY PARTS LIST			
ITEM #	PART NUMBER	QTY.	DESCRIPTION
1	532-722-500	1	PUMP BASE ASSEMBLY
2	532-022-111	1	COVER (SINGLE PUMP)
3	532-022-112	2	END PANEL

PUMP ENCLOSURE FOR SINGLE PUMP (UP TO 10 HP PUMPS)			
DAI. DATA AIRE INC.			
DRAWN BY : ACROSS		SCALE: NONE	
CHECKED BY :		SH 1 OF 1	
DATE : 08-11-1992		REV	G
PART OF			
532-822-100			
DWG NO.			