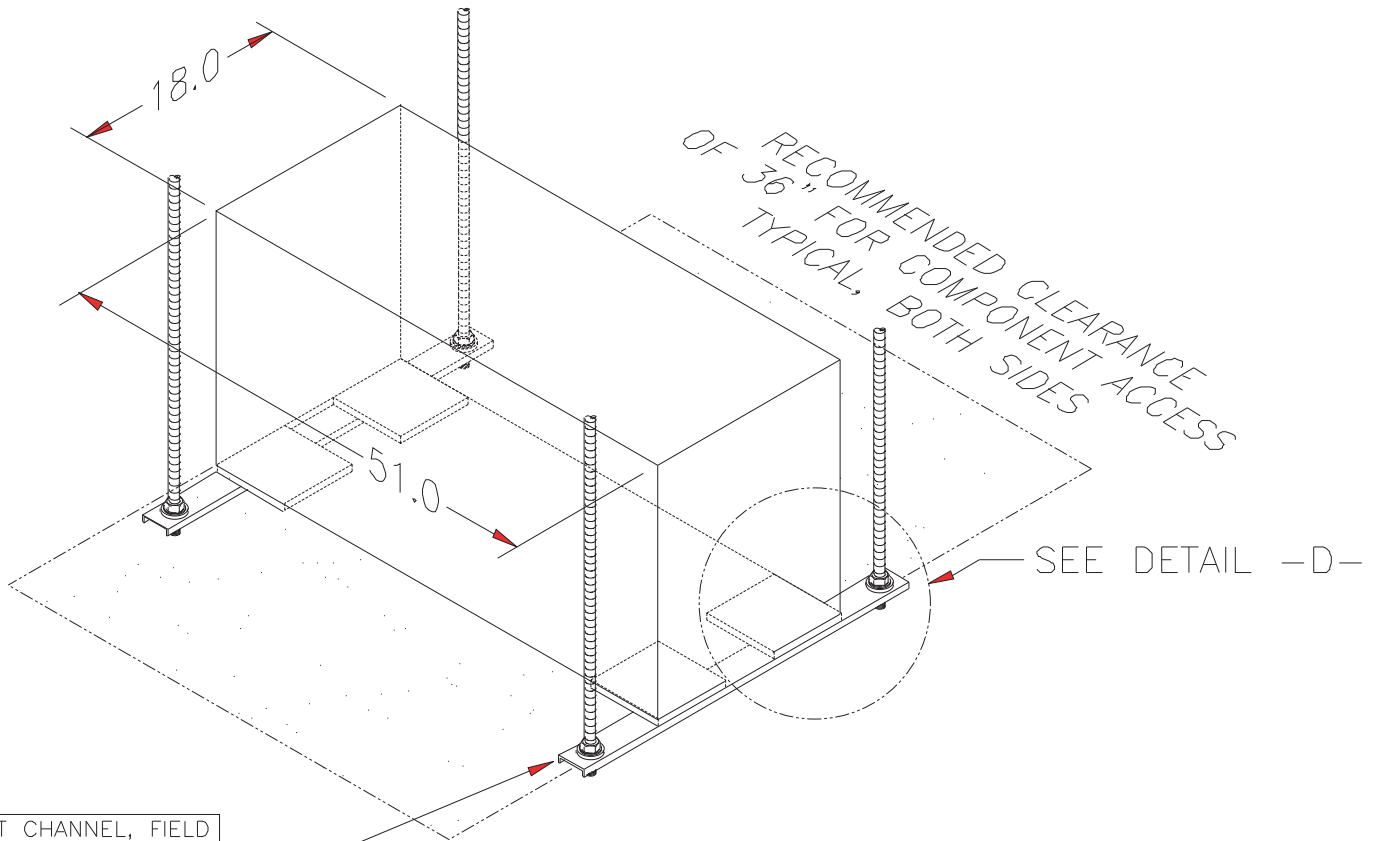


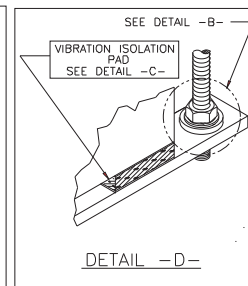
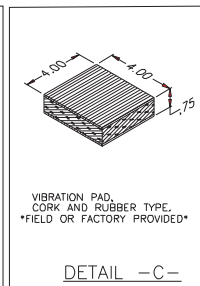
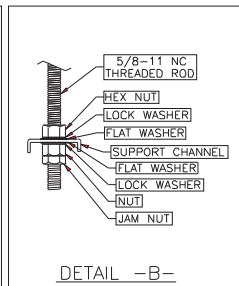
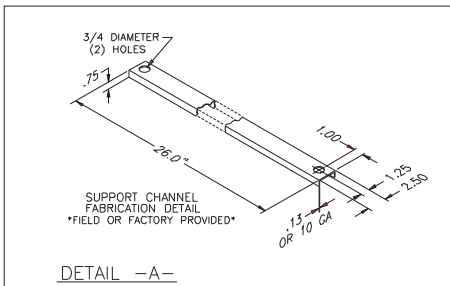
Mini-Plus - Typical Mounting for 18.0" Wide Frames 2.5, 3, 4 and 5 ton



SUPPORT CHANNEL, FIELD PROVIDED OR AVAILABLE FROM FACTORY AS AN OPTION, SHIPPED LOOSE.

SEE DETAIL -A-

- NOTE:
1. UNIT MUST BE LEVEL WHEN INSTALLATION IS COMPLETE.
 2. REFER TO DRAWING 535-900-004 FOR PIPING, ELECTRICAL AND COMPONENT LOCATION DETAILS.
 3. CONSULT LOCAL BUILDING CODES FOR MOUNTING REQUIREMENTS.



DATE	REVISION	LTR	INT.
8-5-98	51" REVISION	B	J.P.
4-23-97	REVISED DETAIL "A"	A	E.D.
MINI PLUS TYPICAL MOUNTING FOR 18.0" WIDE FRAMES 2 1/2 - 5 TON			
DATA AIRE INC. A CONSTRUCTION SPECIALTIES INC. Company			
DRAWN BY : K. WELLS		SCALE : NONE	
CHECKED BY :		GR 535900014	
DATE : 4/6/95	SHT. 1 OF 1		
MATERIAL:	P/S	NONE	
PART OF			
535-900-014			B
PART NO.			