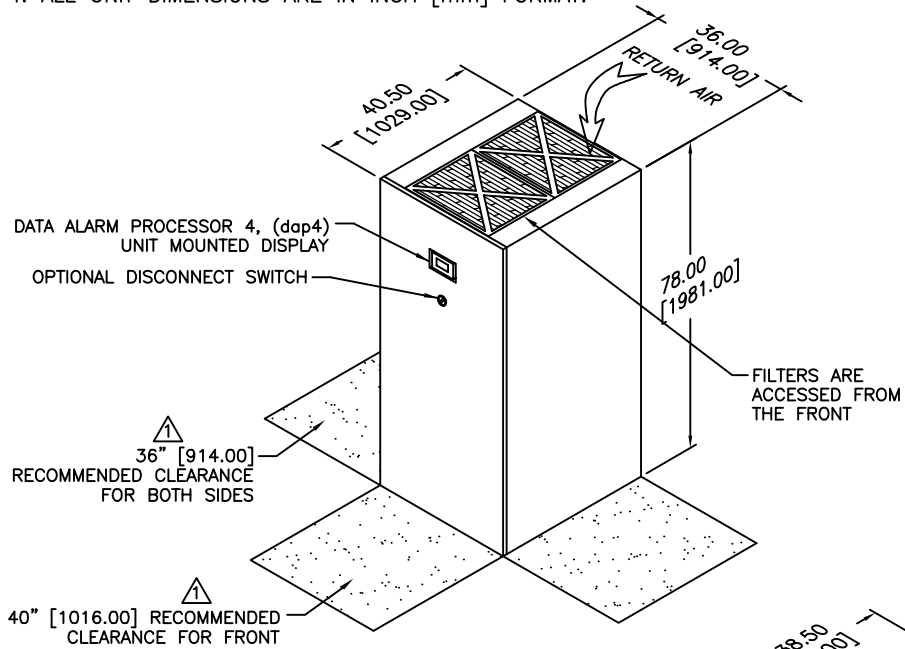
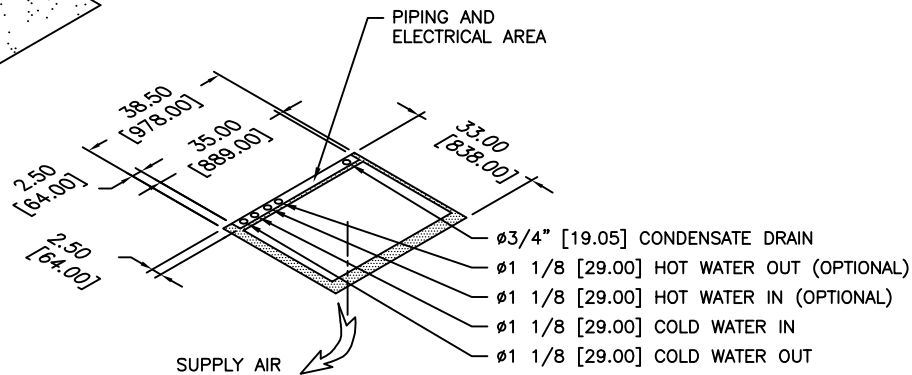


**NOTES:**

- 1. DIMENSIONS NOTED ARE THE MINIMUM CLEARANCES REQUIRED BY THE FACTORY. CONSULT LOCAL BUILDING CODES AND NEC FOR ADDITIONAL CLEARANCE REQUIREMENTS.
- 2. ALL STANDARD PIPING TERMINATES INSIDE OF CABINET. ALL OPTIONAL PIPING (TOP/SIDE) TERMINATES OUTSIDE OF CABINET.
- 3. NOT ALL COMPONENTS AND OPTIONS ARE SHOWN. LOCATIONS MAY VARY DEPENDING ON OPTIONS.
- 4. ALL UNIT DIMENSIONS ARE IN INCH [mm] FORMAT.

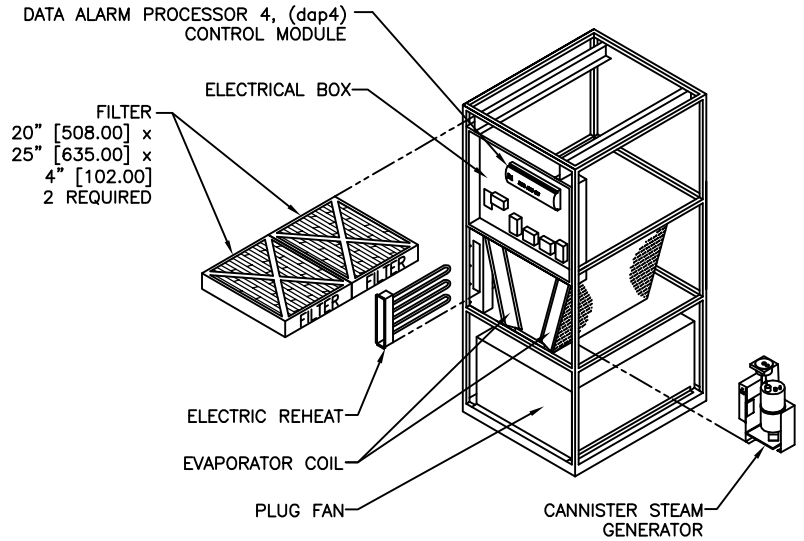


**DIMENSIONAL DATA**



**FLOOR CUTOUT DIMENSIONS**

REVISIONS				
REV	DESCRIPTION	DATE	BY	CHKBY
E	UPDATED PIPING DETAILS	11-23-15	RRK	-



**COMPONENT BREAKDOWN**

gForce GF 7, 11, 14 & 18 KW CHILLED WATER DOWNFLOW WITH V-TYPE COIL		
DRAWN BY :	GM	SCALE: NONE
CHECKED BY :		SH 1 OF 1
DATE :	06-14-2014	REV   E
PART OF		
<b>560-900-001</b> DWG NO.		