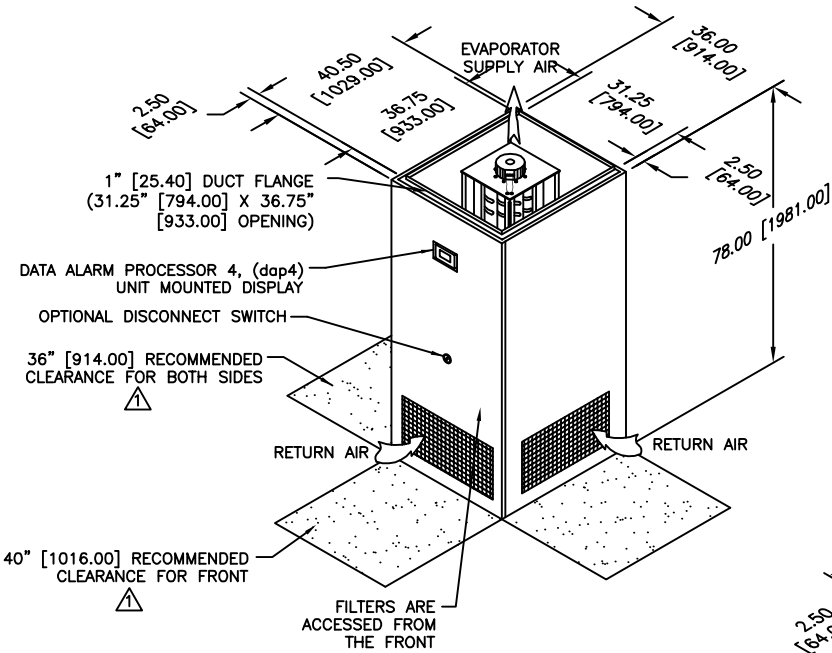


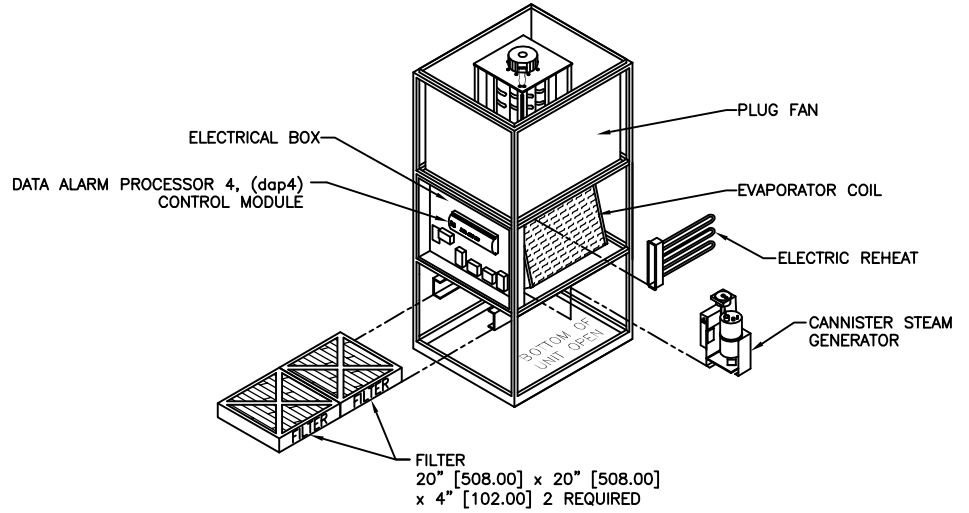
NOTES:

- ▲ DIMENSIONS NOTED ARE THE MINIMUM CLEARANCES REQUIRED BY THE FACTORY. CONSULT LOCAL BUILDING CODES AND NEC FOR ADDITIONAL CLEARANCE REQUIREMENTS.
- 2. ALL STANDARD PIPING TERMINATES INSIDE OF CABINET. ALL OPTIONAL PIPING (TOP/SIDE) TERMINATES OUTSIDE OF CABINET.
- 3. NOT ALL COMPONENTS AND OPTIONS ARE SHOWN. LOCATIONS MAY VARY DEPENDING ON OPTIONS.
- 4. ALL UNIT DIMENSIONS ARE IN INCH [mm] FORMAT.

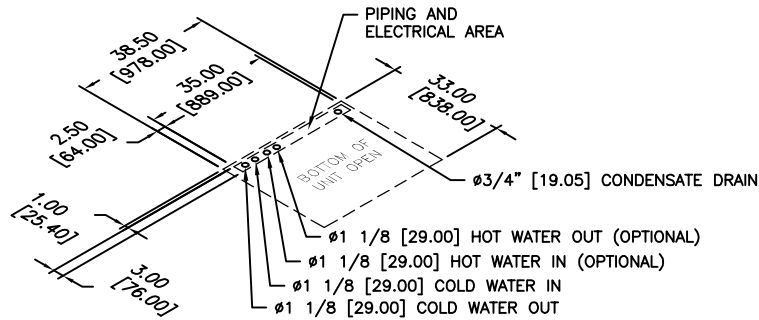
REVISIONS				
REV	DESCRIPTION	DATE	BY	CHKBY
H	UPDATED PIPING DETAILS	11-23-15	RRK	-



DIMENSIONAL DATA



COMPONENT BREAKDOWN



FOOTPRINT LAYOUT
(PIPING & ELECTRICAL AREA REFERENCE)

gForce GF 7, 11, 14 & 18 KW CHILLED WATER UPFLOW WITH A-TYPE COIL			
dataaire			
DRAWN BY : GABE		SCALE: NONE	
CHECKED BY :		SH 1 OF 1	
DATE :	06-16-10	REV	H
PART OF			
560-900-002 DWG NO.			