

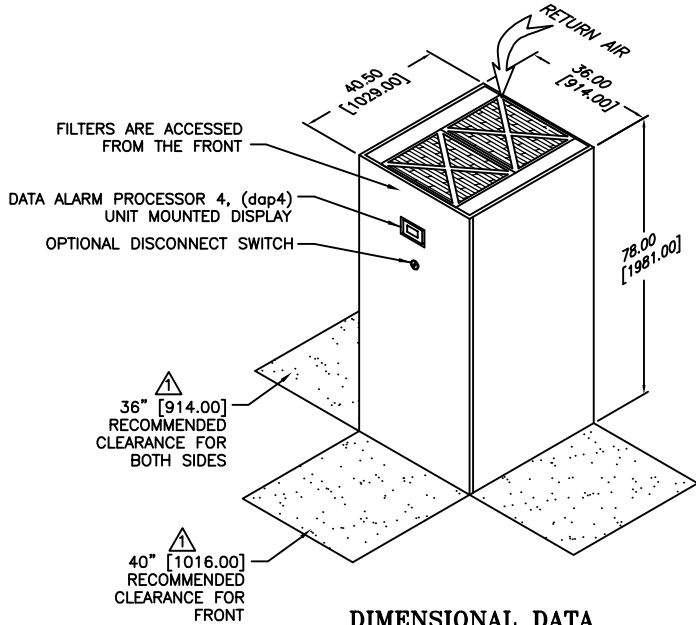
NOTES:

▲ DIMENSIONS NOTED ARE THE MINIMUM CLEARANCES REQUIRED BY THE FACTORY. CONSULT LOCAL BUILDING CODES AND NEC FOR ADDITIONAL CLEARANCE REQUIREMENTS.

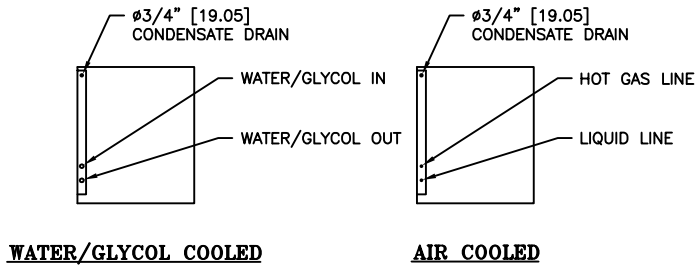
2. ALL STANDARD PIPING TERMINATES INSIDE OF CABINET. ALL OPTIONAL PIPING (TOP/SIDE) TERMINATES OUTSIDE OF CABINET.
3. NOT ALL COMPONENTS AND OPTIONS ARE SHOWN. LOCATIONS MAY VARY DEPENDING ON OPTIONS.
4. ALL UNIT DIMENSIONS ARE IN INCH [mm] FORMAT.

UNIT (KW)	CONNECTION PIPE SIZE (ø)			
	07	11	14	18
LIQUID	1/2 [12.70]	1/2 [12.70]	1/2 [12.70]	1/2 [12.70]
HOT GAS	1/2 [12.70]	1/2 [12.70]	1/2 [12.70]	1/2 [12.70]
WATER IN	3/4 [19.05]	3/4 [19.05]	1-1/8 [29.00]	1-1/8 [29.00]
WATER OUT	3/4 [19.05]	3/4 [19.05]	1-1/8 [29.00]	1-1/8 [29.00]

REVISIONS			
REV	DESCRIPTION	DATE	BY
F	UPDATED PIPING DETAILS	11-20-15	RRK

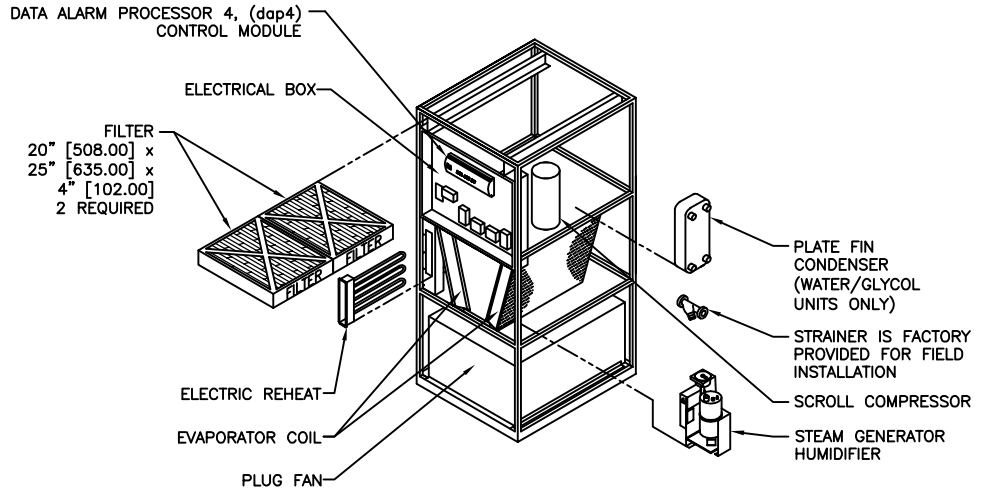


DIMENSIONAL DATA

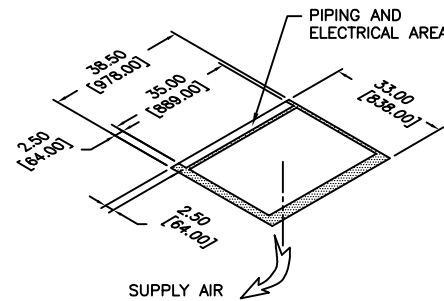


STANDARD PIPING LOCATIONS

(SEE CONNECTION PIPE SIZE CHART)



COMPONENT BREAKDOWN



FLOOR CUTOUT DIMENSIONS

gForce GT
7, 11, 14 & 18 KW
DX DOWNFLOW
WITH V-TYPE COIL

dataaire

DRAWN BY :	GABE	SCALE: NONE
CHECKED BY :		SH 1 OF 1
DATE :	06-14-10	REV F

PART OF

560-900-003
DWG NO.