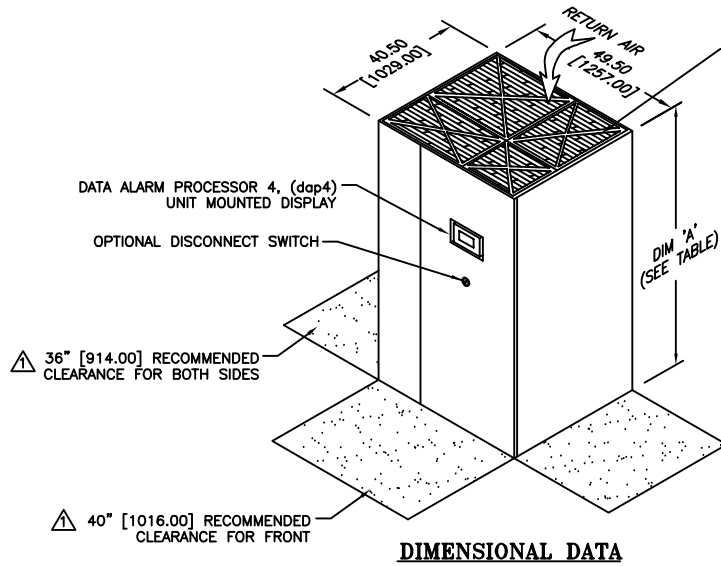


NOTES:

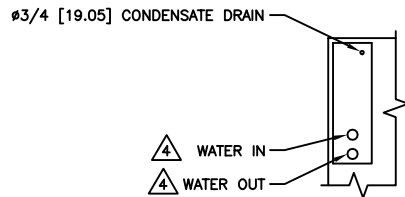
- 1. DIMENSIONS NOTED ARE THE MINIMUM CLEARANCES REQUIRED BY THE FACTORY. CONSULT LOCAL BUILDING CODES AND NEC FOR ADDITIONAL CLEARANCE REQUIREMENTS.
- 2. ALL STANDARD PIPING TERMINATES INSIDE OF CABINET. ALL OPTIONAL PIPING (TOP/SIDE) TERMINATES OUTSIDE OF CABINET.
- 3. NOT ALL COMPONENTS AND OPTIONS ARE SHOWN. LOCATIONS MAY VARY DEPENDING ON OPTIONS.
- 4. CONNECTION PIPE SIZE IS 1 1/8" [29.00] DIAMETER FOR 25 & 32 KW. CONNECTION PIPE SIZE IS 1 5/8" [41.00] DIAMETER FOR 39 & 46 KW.
- 5. ALL UNIT DIMENSIONS ARE IN INCH [mm] FORMAT.

DIM 'A'		
78.00"	[1981.00]	WITH 3KW FAN
84.00"	[2134.00]	WITH 5KW FAN

REVISIONS				
REV	DESCRIPTION	DATE	BY	CHKBY
D	UPDATED NOTES & TITLEBLOCK	03-19-15	RRK	GM

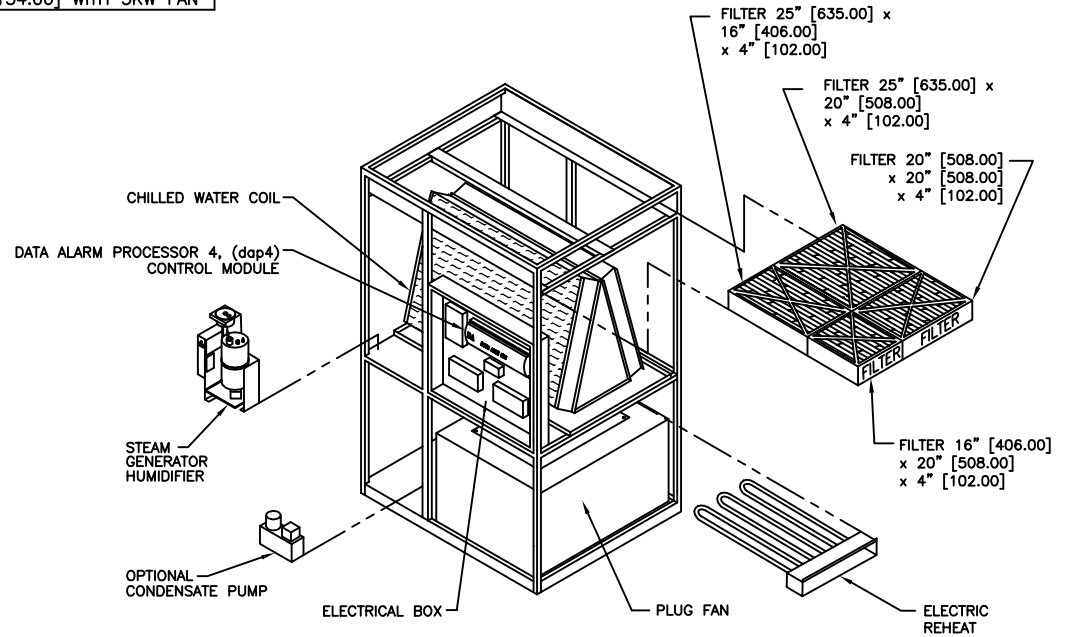


DIMENSIONAL DATA

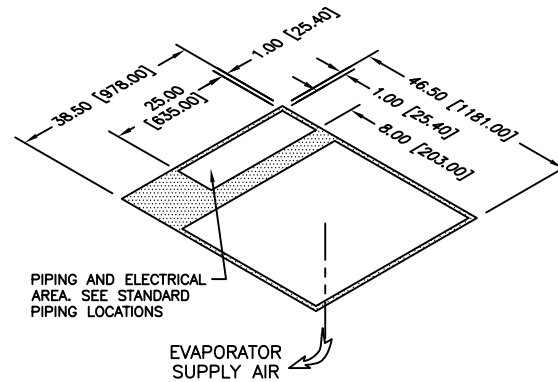


STANDARD PIPING LOCATIONS

FILTERS MAY BE ACCESSED FROM THE TOP OF UNIT OR FROM EITHER SIDE.



COMPONENT BREAKDOWN



FLOOR CUTOUT DIMENSIONS

gForce GF
25, 32, 39 & 46 KW
CHILLED WATER DOWNFLOW

dataaire

DRAWN BY :	GABE	SCALE: NONE
CHECKED BY :		SH 1 OF 1
DATE :	06-14-10	REV D

PART OF
560-900-101
DWG NO.