

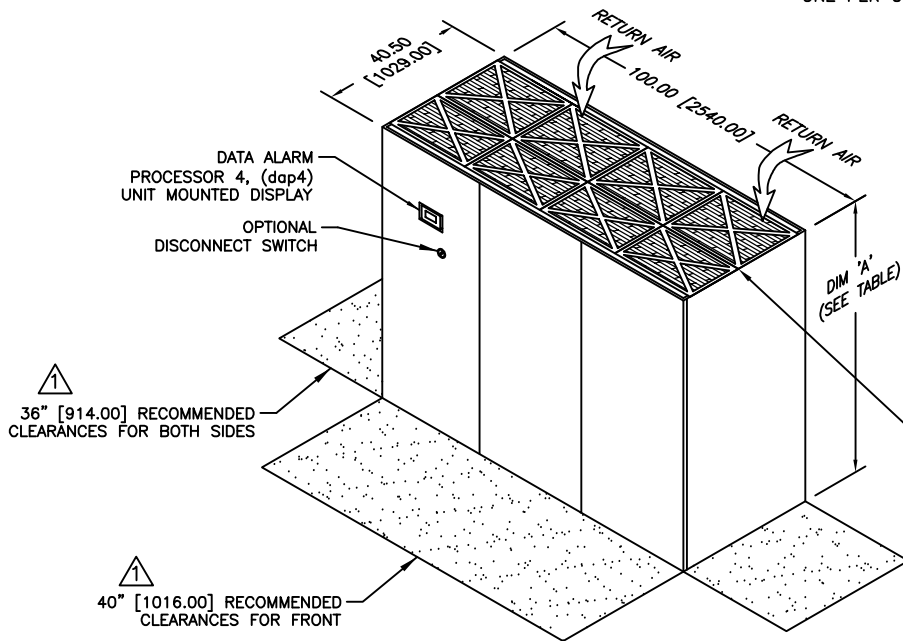
NOTES:

- 1. DIMENSIONS NOTED ARE THE MINIMUM CLEARANCES REQUIRED BY THE FACTORY. CONSULT LOCAL BUILDING CODES AND NEC FOR ADDITIONAL CLEARANCE REQUIREMENTS.
- 2. ALL STANDARD PIPING TERMINATES INSIDE OF CABINET. ALL OPTIONAL PIPING (TOP/SIDE) TERMINATES OUTSIDE OF CABINET.
- 3. ALL COMPONENTS AND OPTIONS ARE NOT SHOWN. LOCATIONS MAY VARY DEPENDING ON OPTIONS.
- 4. SEE TABLE FOR CONNECTION PIPE SIZES.
- 5. ALL UNIT DIMENSIONS ARE IN INCH [mm] FORMAT.

CONNECTION PIPE SIZE (ø)					
UNIT (KW)	56		70		91
LIQUID	5/8	[15.88]	5/8	[15.88]	7/8 [22.23]
HOT GAS	3/4	[19.05]	3/4	[19.05]	7/8 [22.23]

DIM 'A'	
78.00"	[1981.00] WITH 3KW FAN
84.00"	[2134.00] WITH 5KW FAN

REVISIONS				
REV	DESCRIPTION	DATE	BY	CHKBY
D	UPDATED NOTES & TITLEBLOCK	03-18-15	RRK	GM



DIMENSIONAL DATA

PLATE FIN CONDENSER W/STRAINER
 ONE PER CIRCUIT (WATER/GLYCOL SYSTEMS ONLY)

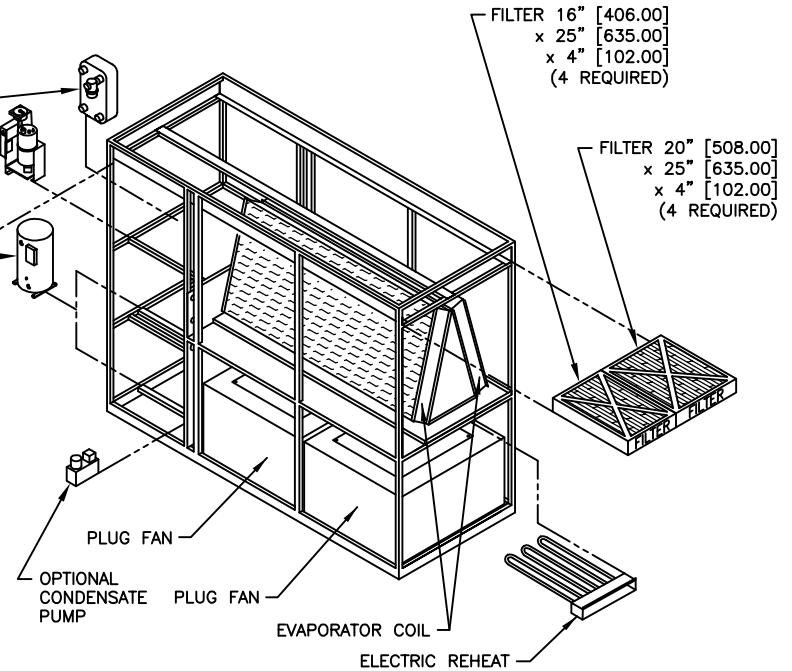
STEAM GENERATOR HUMIDIFIER

SCROLL COMPRESSOR
 ONE PER CIRCUIT

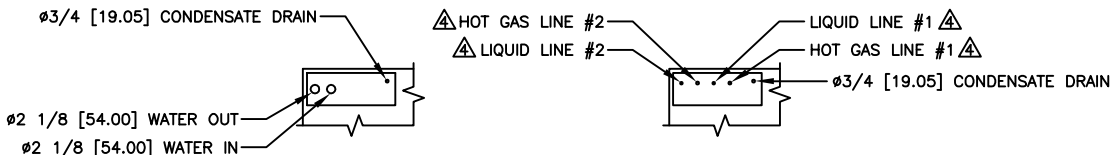
ELECTRICAL BOX
 (HINGED ON THIS SIDE)

DATA ALARM PROCESSOR 4, (dap4) CONTROL MODULE

FILTERS MAY BE ACCESSED FROM THE TOP OF UNIT OR FROM THE FRONT OR FROM EITHER SIDE



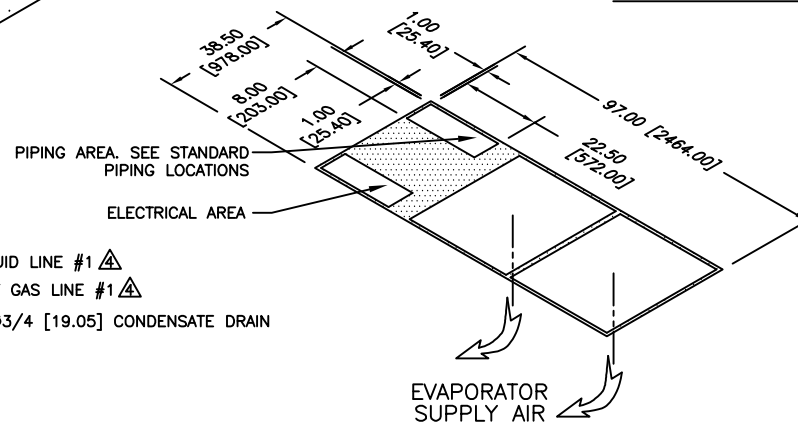
COMPONENT BREAKDOWN



WATER/GLYCOL COOLED

AIR COOLED

STANDARD PIPING LOCATIONS



FLOOR CUTOUT DIMENSIONS

gForce GF
 56, 70 & 91 KW
 DX DOWNFLOW

dataaire

DRAWN BY :	GABE	SCALE: NONE
CHECKED BY :		SH 1 OF 1
DATE :	06-14-10	REV D

PART OF
560-900-501
 DWG NO.