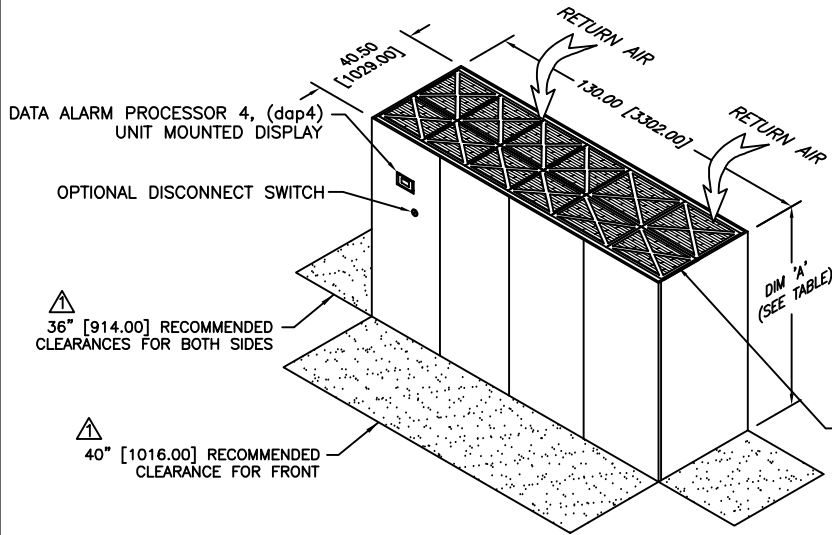


NOTES:

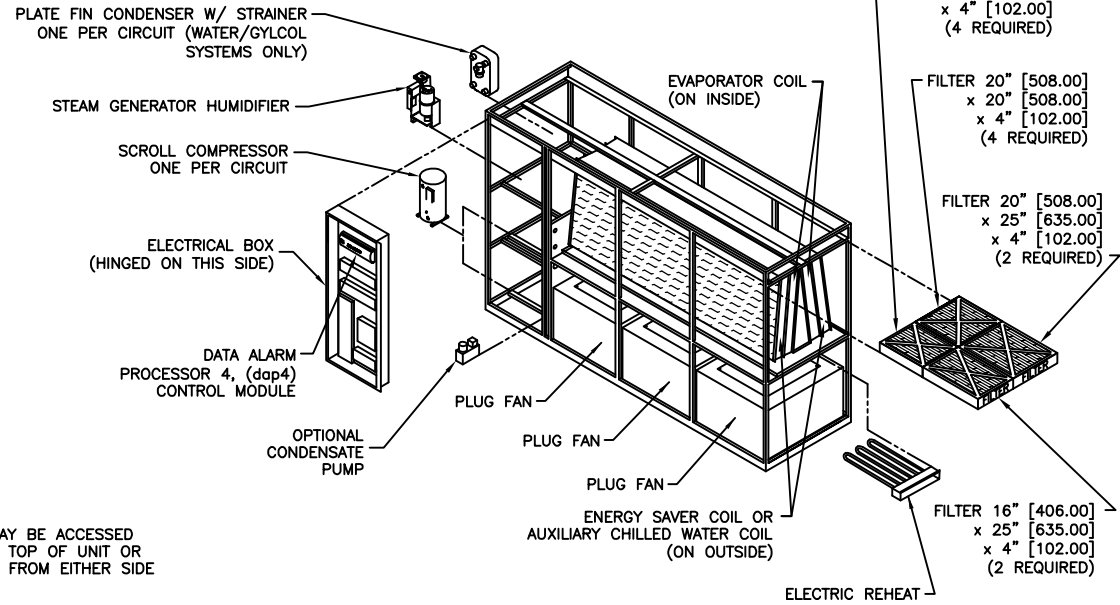
- 1. DIMENSIONS NOTED ARE THE MINIMUM CLEARANCES REQUIRED BY THE FACTORY. CONSULT LOCAL BUILDING CODES AND NEC FOR ADDITIONAL CLEARANCE REQUIREMENTS.
- 2. ALL STANDARD PIPING TERMINATES INSIDE OF CABINET. ALL OPTIONAL PIPING (TOP/SIDE) TERMINATES OUTSIDE OF CABINET.
- 3. NOT ALL COMPONENTS AND OPTIONS ARE SHOWN. LOCATIONS MAY VARY DEPENDING ON OPTIONS.
- 4. ALL UNIT DIMENSIONS ARE IN INCH [mm] FORMAT.

DIM 'A'	
78.00"	[1981.00] WITH 3KW FAN
84.00"	[2134.00] WITH 5KW FAN

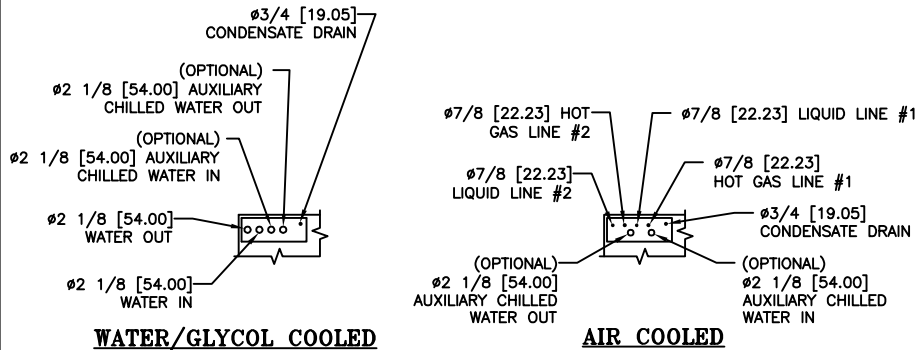
REVISIONS				
REV	DESCRIPTION	DATE	BY	CHKBY
D	UPDATED NOTES & TITLEBLOCK	03-18-15	RRK	GM



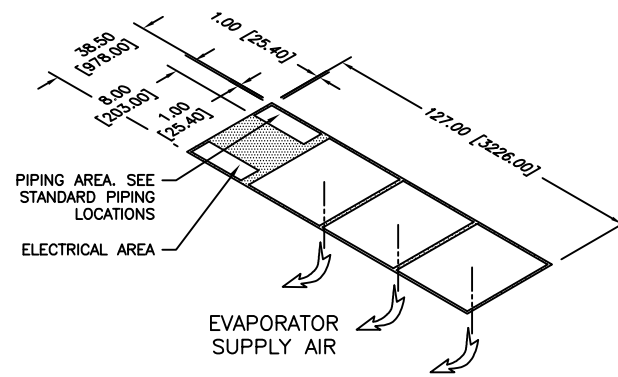
DIMENSIONAL DATA



COMPONENT BREAKDOWN



STANDARD PIPING LOCATIONS



FLOOR CUTOUT DIMENSIONS

gForce GF
106 KW DX DOWNFLOW
W/ENERGY SAVER OR
AUXILIARY CHILLED WATER COIL

dataaire

DRAWN BY : GABE		SCALE: NONE	
CHECKED BY :		SH 1 OF 1	
DATE : 02-09-2014	REV	D	

PART OF

560-900-802
DWG NO.