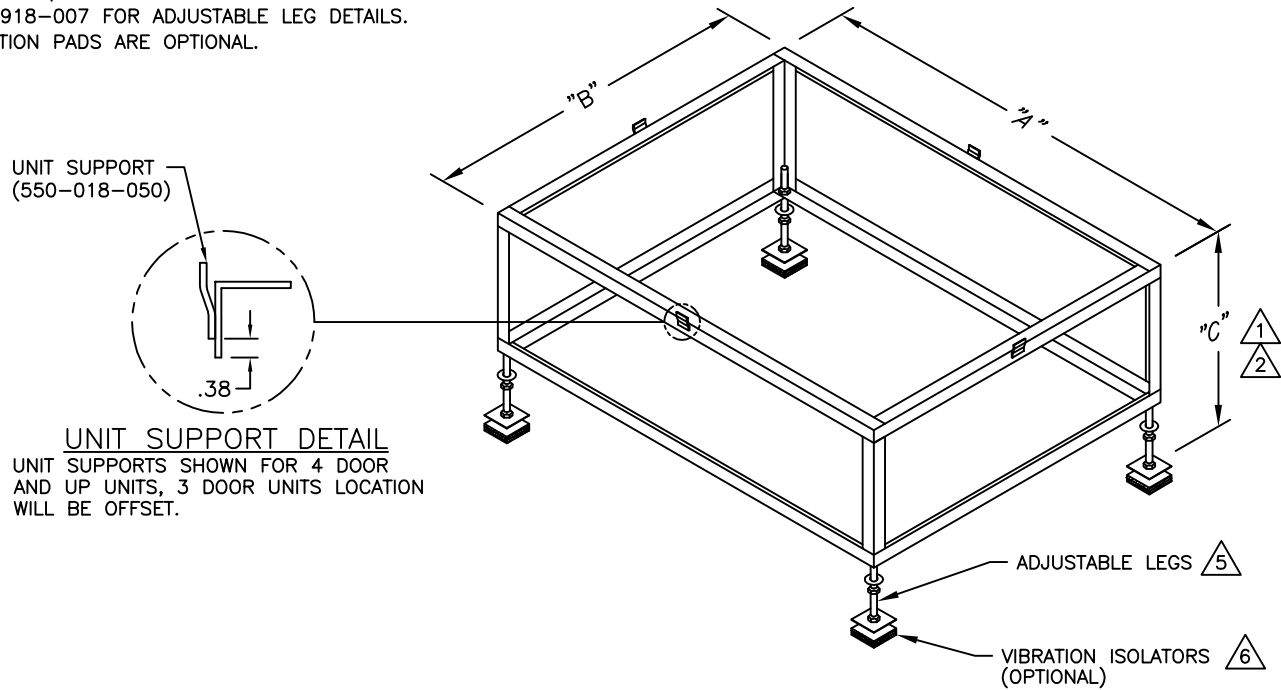


NOTES:

- 1. DIMENSION "C" IS TOTAL HEIGHT SPECIFIED ON ORDER AND SHOULD EQUAL HEIGHT FROM BUILDING FLOOR TO RAISED FLOOR. THE STAND WILL BE BUILT 2 INCHES LESS THAN SPECIFIED AND HAVE ADJUSTABLE LEGS TO PROVIDE +2/-1 INCHES FROM THE SPECIFIED HEIGHT.
- 2. SPECIFIED HEIGHT MUST BE BETWEEN 12 AND 24 INCHES IN 2 INCH INCREMENTS (12, 14, 16, 18, 20, 22, 24).
- 3. DOWNFLOW UNITS USING FLOORSTANDS OR JACKSTANDS ARE SUBJECTED TO ADDITIONAL STATIC PRESSURE LOSSES, DEPENDING ON THE AIRFLOW AND STAND HEIGHT. THE NEXT SIZE MOTOR OPTION MAY BE REQUIRED ON SOME FLOOR HEIGHTS.
- 4. 1 1/2 X 1 1/2 X 1/8 ANGLE FRAME CONSTRUCTION.
- 5. SEE PAGE 560-918-007 FOR ADJUSTABLE LEG DETAILS.
- 6. VIBRATION ISOLATION PADS ARE OPTIONAL.

REVISIONS			
REV	DESCRIPTION	DATE	BY
C	ADDED 38" SIZE FOR E/S AUX CW UNITS	09-27-12	JAP



UNIT SUPPORT DETAIL
 UNIT SUPPORTS SHOWN FOR 4 DOOR AND UP UNITS, 3 DOOR UNITS LOCATION WILL BE OFFSET.

gForce GT DX UNITS		
"A"	"B"	UNIT SIZE (KW)
33.00	38.50	7, 11, 14, 18
50.50	38.50	28, 35, 46

gForce CHILLED WATER UNITS		
"A"	"B"	UNIT SIZE (KW)
33.00	38.50	7, 11, 14, 18
46.50	38.50	25, 32, 39, 46

DATA TEMP UNITS		
"A"	"B"	UNIT SIZE (TON)
33.00	32.50	2,3,4,5 (DATA TEMP)
46.50	32.50	8,10,13 (MOD. DT)

gForce GT DX E/S AUX CW UNITS		
"A"	"B"	UNIT SIZE (KW)
38.00	38.50	7, 11, 14, 18

gForce CW E/S AUX CW UNITS		
"A"	"B"	UNIT SIZE (KW)
38.00	38.50	7, 11, 14, 18

DATA TEMP E/S AUX CW UNITS		
"A"	"B"	UNIT SIZE (TON)
38.00	32.50	2,3,4,5 (DATA TEMP)

FLOORSTAND FOR DATA TEMP UNITS, gForce GT DX & CHILLED WATER UNITS

DAI. DATA AIRE INC.

DRAWN BY : J. PATTON		SCALE: NONE
CHECKED BY :		SH 1 OF 1
DATE : 06-14-2010	REV	C

PART OF
560-918-005
 DWG NO.