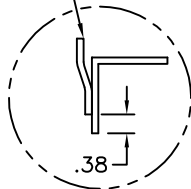


NOTES:

- △ DIMENSION "C" IS TOTAL HEIGHT SPECIFIED ON ORDER AND SHOULD EQUAL HEIGHT FROM BUILDING FLOOR TO RAISED FLOOR. THE STAND WILL BE BUILT 2 INCHES LESS THAN SPECIFIED AND HAVE ADJUSTABLE LEGS TO PROVIDE +2/-1 INCHES FROM THE SPECIFIED HEIGHT.
- △ SPECIFIED HEIGHT MUST BE BETWEEN 12 AND 24 INCHES IN 2 INCH INCREMENTS (12, 14, 16, 18, 20, 22, 24).
- 3. DOWNFLOW UNITS USING FLOORSTANDS OR JACKSTANDS ARE SUBJECTED TO ADDITIONAL STATIC PRESSURE LOSSES, DEPENDING ON THE AIRFLOW AND STAND HEIGHT. THE NEXT SIZE MOTOR OPTION MAY BE REQUIRED ON SOME FLOOR HEIGHTS.
- 4. 1 1/2 X 1 1/2 X 1/8 ANGLE FRAME CONSTRUCTION.
- △ SEE PAGE 560-918-007 FOR ADJUSTABLE LEG DETAILS.
- △ VIBRATION ISOLATION PADS ARE OPTIONAL.
- 7. 18 GAUGE COLD ROLLED STEEL TURNING VANE.

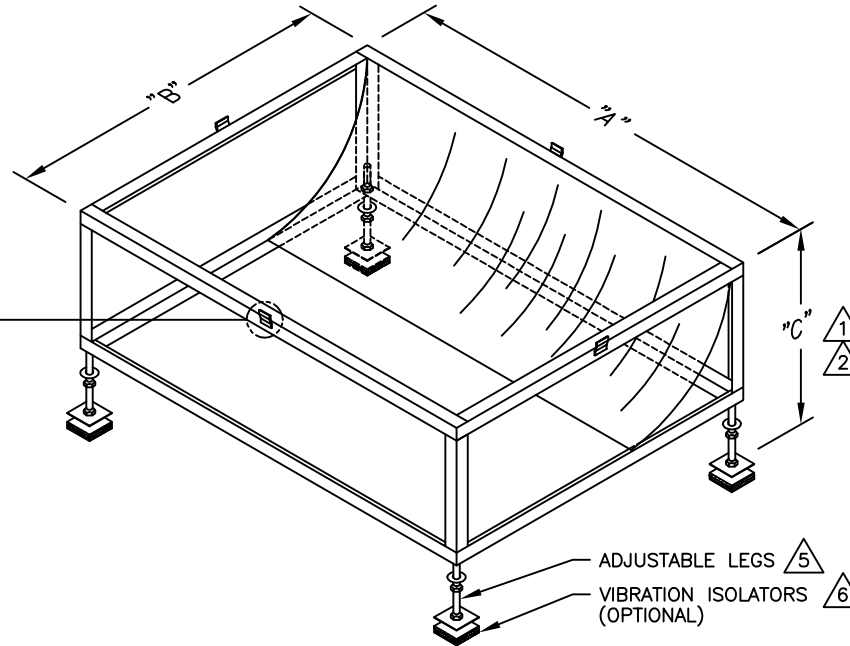
REVISIONS				
REV	DESCRIPTION	DATE	BY	FROM
-	NEW DWG TO REPLACE 560-918-006	04-22-15	RRK	JAP

UNIT SUPPORT
(550-018-050)



UNIT SUPPORT DETAIL

UNIT SUPPORTS SHOWN FOR 4 DOOR AND UP UNITS, 3 DOOR UNITS LOCATION WILL BE OFFSET.



ADJUSTABLE LEGS 5

VIBRATION ISOLATORS (OPTIONAL) 6

DATA TEMP UNITS		
"A"	"B"	UNIT SIZE (TON)
33.00	32.50	2,3,4,5 (DATA TEMP)
46.50	32.50	8,10,13 (MOD. DT)

DATA TEMP E/S AUX CW UNITS		
"A"	"B"	UNIT SIZE (TON)
38.00	32.50	2,3,4,5 (DATA TEMP)

FLOORSTAND W/TURNING VANE
DATA TEMP UNITS
CHILLED WATER & DX



DRAWN BY :	R. KALIN	SCALE: NONE
CHECKED BY :	J. PERKINS	SH 1 OF 1
DATE :	04-22-2015	REV -

PART OF

550-918-006
DWG NO.