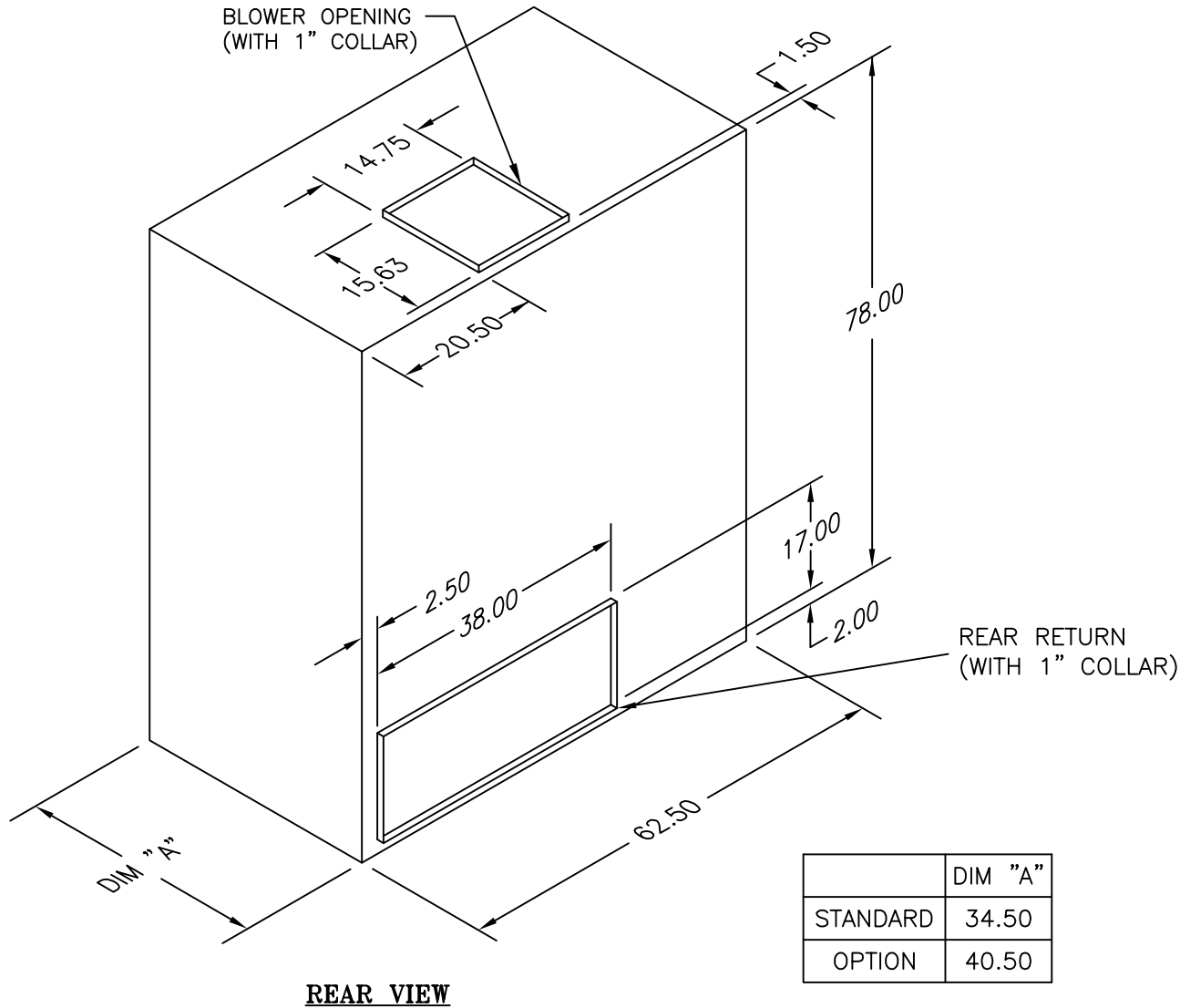


NOTES:

- CABINET DEPTH INCREASES BY 6" WHEN OPTIONAL ENERGY SAVER COIL OR AUXILIARY CHILLED WATER COIL IS USED.

REVISIONS				
REV	DESCRIPTION	DATE	BY	CHKBY
B	UPDATE DATA AIRE LOGO	05-27-15	JAP	JAP



	DIM "A"
STANDARD	34.50
OPTION	40.50

DATA AIRE 6, 8, & 10 TON UPFLOW DIRECT EXPANSION WITH REAR RETURN AIR			
DRAWN BY :	J. PERKINS	SCALE:	NONE
CHECKED BY :		SH	1 OF 1
DATE :	06-17-2013	REV	B
PART OF			
550-900-534			
DWG NO.			