

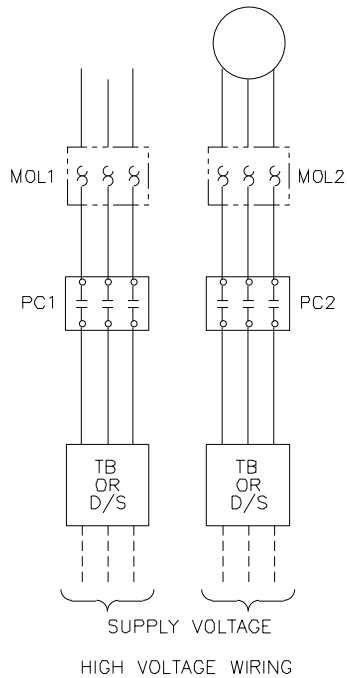
CONTROL PANEL LAYOUT

LEGEND

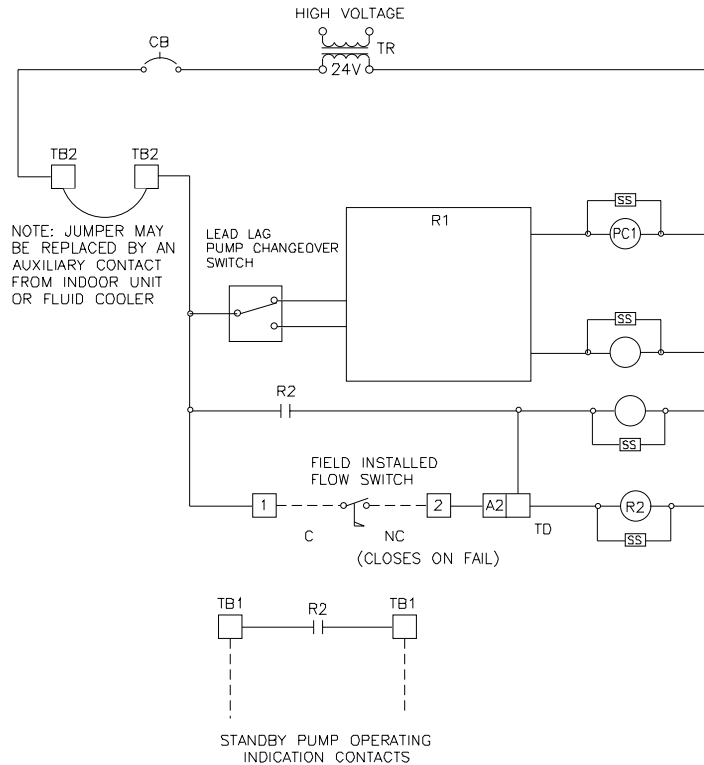
- C = COMMON
- CB = CIRCUIT BREAKER
- DS = DISCONNECT SWITCH
- MOL = MOTOR OVERLOAD
- NC = NORMALLY CLOSED
- P = PUMP
- PC = PUMP CONTACTOR
- R = RELAY
- SS = SURGE SUPPRESSOR
- TB = TERMINAL BLOCK
- TD = TIME DELAY
- TR = TRANSFORMER
- - - - - = FIELD WIRING

NOTES:

1. ELECTRICAL INSTALLATION MUST COMPLY WITH ALL APPLICABLE CODES.
2. USE COPPER CONDUCTORS.



HIGH VOLTAGE WIRING



PUMP AUTOCHANGEOVER CONTROL  
LOOSE PANEL  
NO MOTOR CONTACTOR

DATA AIRE INC.  
A CONSTRUCTION SPECIALTIES INC. Company

DRAWN BY :	GABE	SCALE :	0
CHECKED BY :		DAFC LAD	24974-1
DATE :	07-14-2010	SHT.	1 OF 1
MATERIAL:		P/S	1 = 1

DFC-S-051-0  
PART NO.