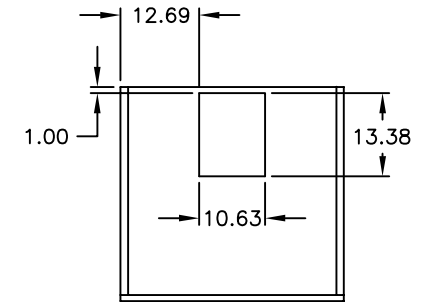


FRONT OF UNIT
 DETAIL A
 2 & 3 TON
 (TOP VIEW)



FRONT OF UNIT
 DETAIL A
 4 & 5 TON
 (TOP VIEW)

DATA TEMP 2-5 TON UPFLOW UNIT W/REAR RETURN AIR		
dataaire		
DRAWN BY :	RRK	SCALE: NONE
CHECKED BY :	ANNA	SH 1 OF 1
DATE :	11-10-2015	REV -
PART OF		
555-900-513		
DWG NO.		