



# Pump Selection Guide



230 W. BlueRidge Avenue  
Orange, CA 92865

[www.dataaire.com](http://www.dataaire.com)  
(800) 347-2473

# PUMP HP SELECTION GUIDE

7/97

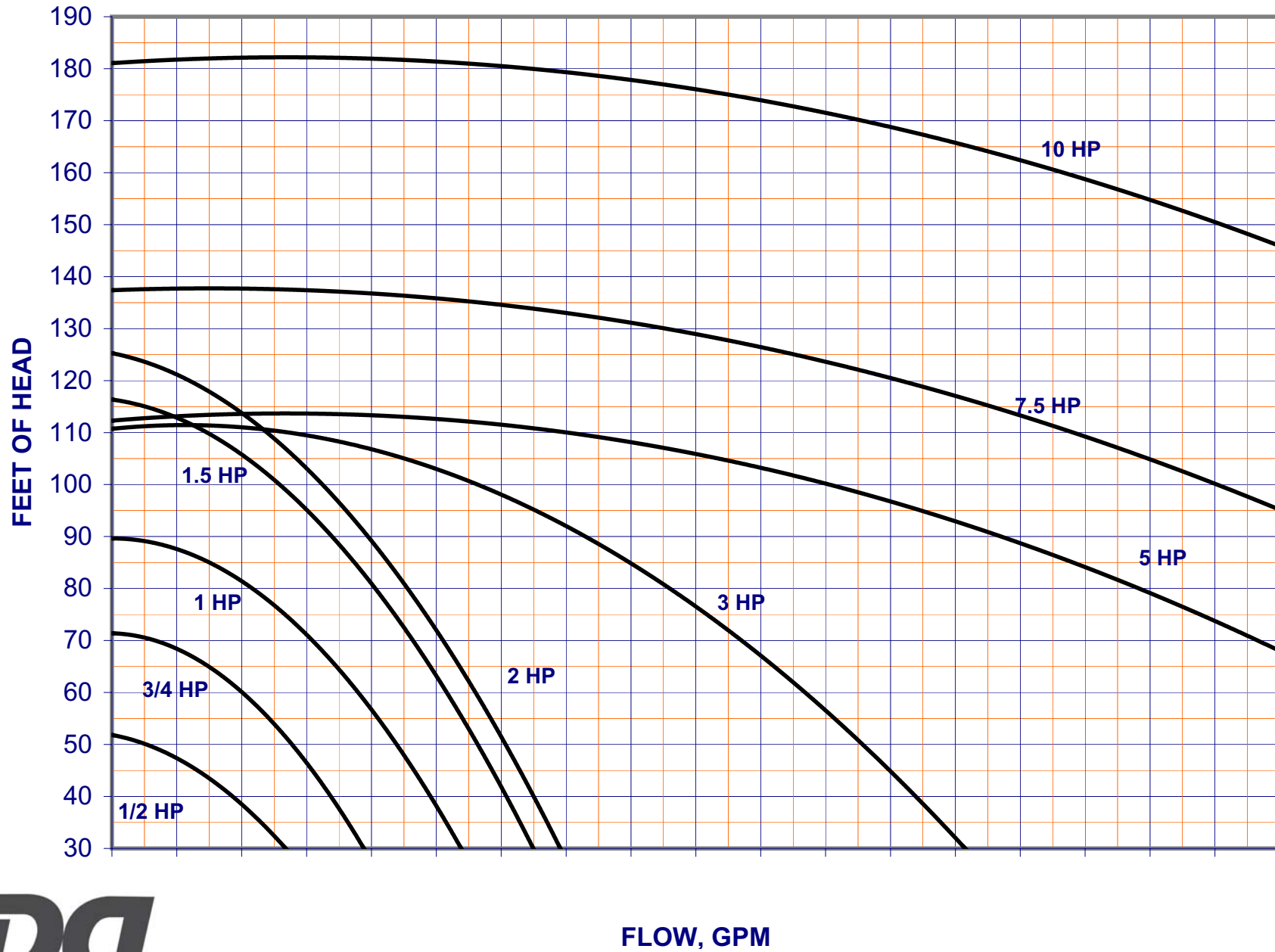
F  
L  
O  
W  
  
I  
N  
  
G  
P  
M

200									10	
190								10	10	10
180							10	10	10	10
170						10	10	10	10	10
160						7.5	10	10	10	10
150					7.5	7.5	10	10	10	10
140				5	7.5	7.5	7.5	10	10	10
130			5	5	5	7.5	7.5	10	10	10
120		5	5	5	5	7.5	7.5	10	10	10
110	3	5	5	5	5	5	7.5	7.5	10	10
100	3	3	5	5	5	5	7.5	7.5	10	10
90	3	3	3	5	5	5	7.5	7.5	10	10
80	3	3	3	3	5	5	7.5	7.5	7.5	10
70	3	3	3	3	3	5	5	7.5	7.5	
60	2	2	3	3	3	5	5	7.5		
50	1.5	1.5	2	3	3	3	5	7.5		
40	1	1.5	1.5	1.5	2	3	5			
35	1	1	1.5	1.5	2	3	5			
30	1	1	1	1.5	1.5	2	3			
25	3/4	1	1	1.5	1.5	1.5	2			
20	3/4	3/4	1	1	1.5	1.5	2			
15	3/4	3/4	1	1	1.5	1.5				
10	3/4	3/4	1	1	1.5					
	50	60	70	80	90	100	110	120	130	140

FEET OF HEAD

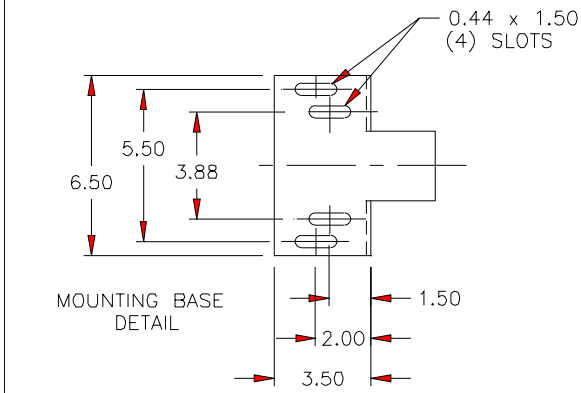
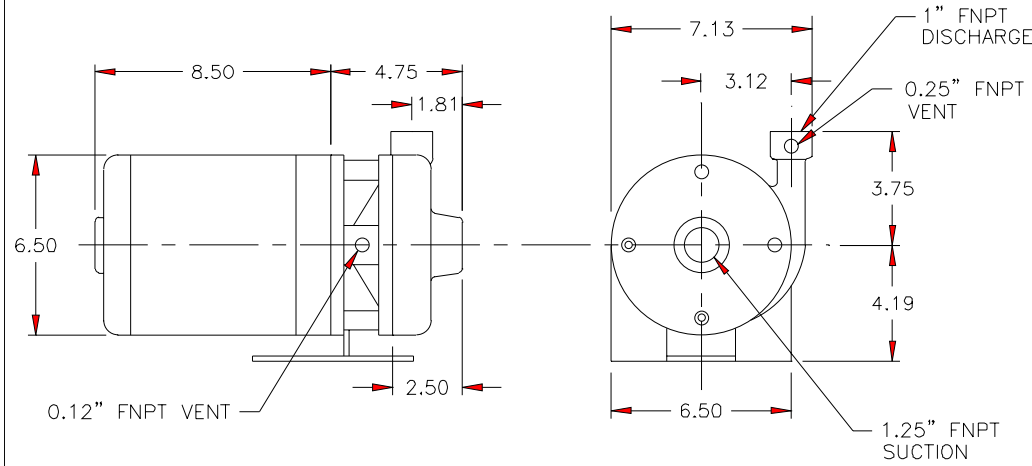
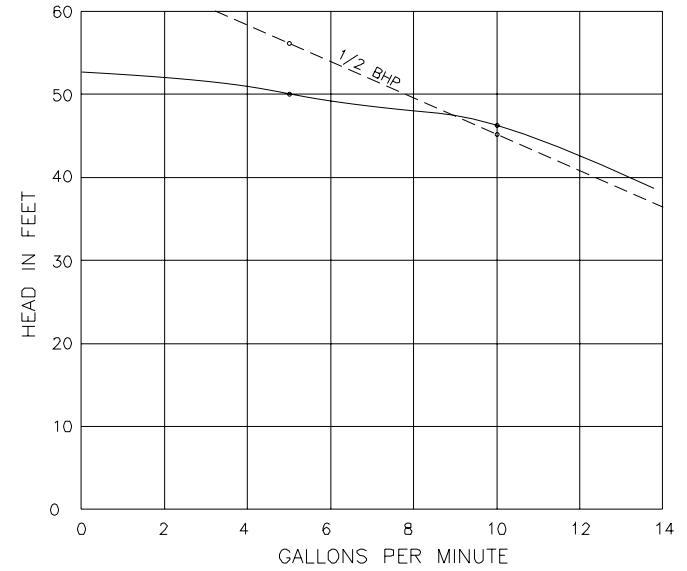


# PUMP CURVES



NOTE: THIS CURVE CROSSES 1/2 BHP AT 8 GPM, HOWEVER THE SERVICE FACTOR FOR THIS MOTOR IS 1.60 WHICH WILL NOT CAUSE AN OVERLOAD CONDITION THROUGHOUT THE ENTIRE CURVE.

1/2 HP @ 3450 RPM PERFORMANCE



SPECIFICATIONS:	
HP	1/2
RPM	3450
IMPELLER	4.00"
DISCHARGE CONNECTION	1" FNPT
SUCTION CONNECTION	1.25" FNPT
WEIGHT	45 LBS

PART NUMBER	VOLTAGE	MOTOR FLA
104-020-001	208-230/1/60	4.9
104-020-002	208-230/460/3/60	2.6/1.1

1.- CHANGE SCALE, 2.- 14020002A WAS 14020001		3-11-04	E. DIAZ
3.- 104-020-002 WAS A104-050		DATE	BY
DESCRIPTION OF REVISION			
DRAWN BY: E. DIAZ	DATE: 3-11-04	DATA AIRE INC. 230 W. BLUERIDGE AVE. ORANGE, CALIFORNIA 92865	
ENGINEER #1		SCALE 1=4	WT. SHEET 1 OF 1
ENGINEER #2		TITLE	
		CENTRIFUGAL PUMP	
		1/2 HP, 3450 RPM	
NEXT ASSEMBLY	USED ON	DIR PU 14020002A	DRAWING NO. 104-020-002
APPLICATION		REV. A	

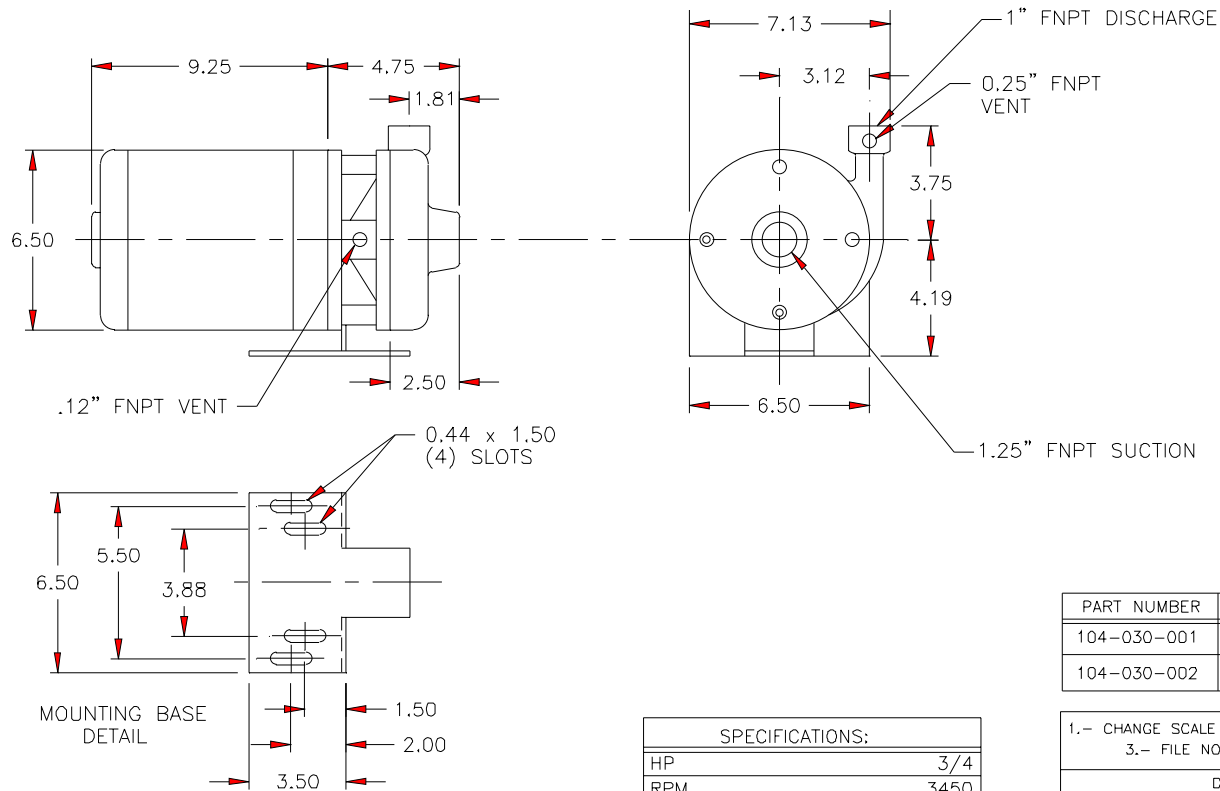
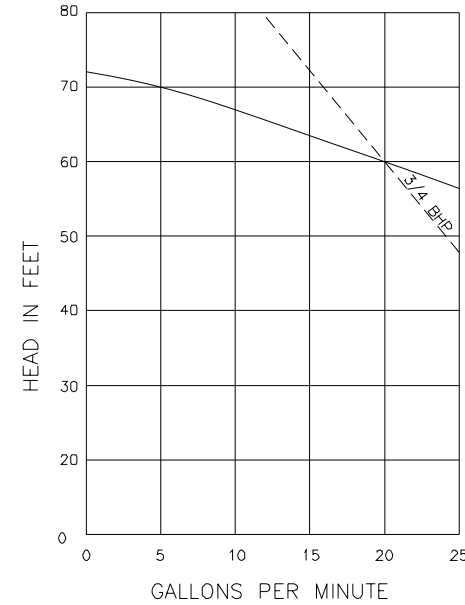
NOTICE: THIS DRAWING EMBODIES A PROPRIETARY DESIGN, ORIGINATED BY DATA AIRE, INC. ALL DESIGN MANUFACTURING, REPRODUCTION (EXCEPTING WHERE THE RECIPIENT HAS BEEN GIVEN THE EXPRESS RIGHT BY WRITTEN AGREEMENT TO PRODUCE THE DRAWING), USE AND SALE RIGHTS REGARDING THE SAME ARE EXPRESSLY RESERVED. IT IS SUBMITTED UNDER CONFIDENTIAL RELATIONSHIP FOR A SPECIFIC PURPOSE. THE RECIPIENT AGREES BY ACCEPTING THIS DRAWING NOT TO SUPPLY OR DISCLOSE ANY INFORMATION REGARDING IT TO ANY UNAUTHORIZED PERSON, OR TO INCORPORATE IN OTHER PROJECTS ANY SPECIAL FEATURES PECULIAR TO THIS DESIGN. ALL PATENT RIGHTS HERETO ARE EXPRESSLY RESERVED BY DATA AIRE, INC., ORANGE CALIFORNIA, U.S.A.

FORM#: 4.5-003 REV. B



NOTE: THIS CURVE CROSSES 3/4 BHP AT 20 GPM.  
HOWEVER THE SERVICE FACTOR FOR THIS MOTOR IS 1.50  
WHICH WILL NOT CAUSE AN OVERLOAD CONDITION  
THROUGHOUT THE ENTIRE CURVE.

3/4 HP @ 3450 RPM PERFORMANCE



PART NUMBER	VOLTAGE	MOTOR FLA
104-030-001	208-230/1/60	6.9
104-030-002	208-230/460/3/60	2.8/1.4

SPECIFICATIONS:	
HP	3/4
RPM	3450
IMPELLER	4.50"
DISCHARGE CONNECTION	1" FNPT
SUCTION CONNECTION	1.25" FNPT
WEIGHT	50 LBS

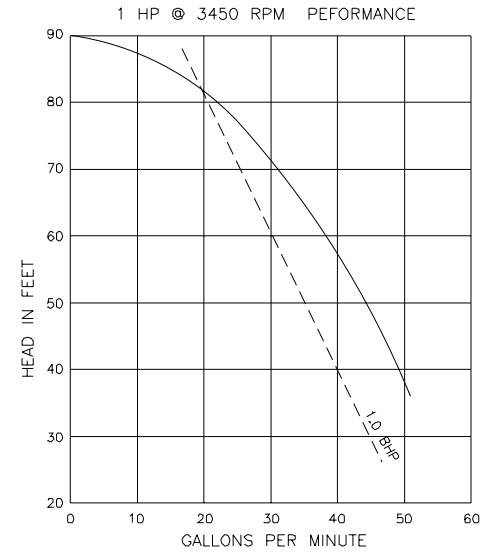
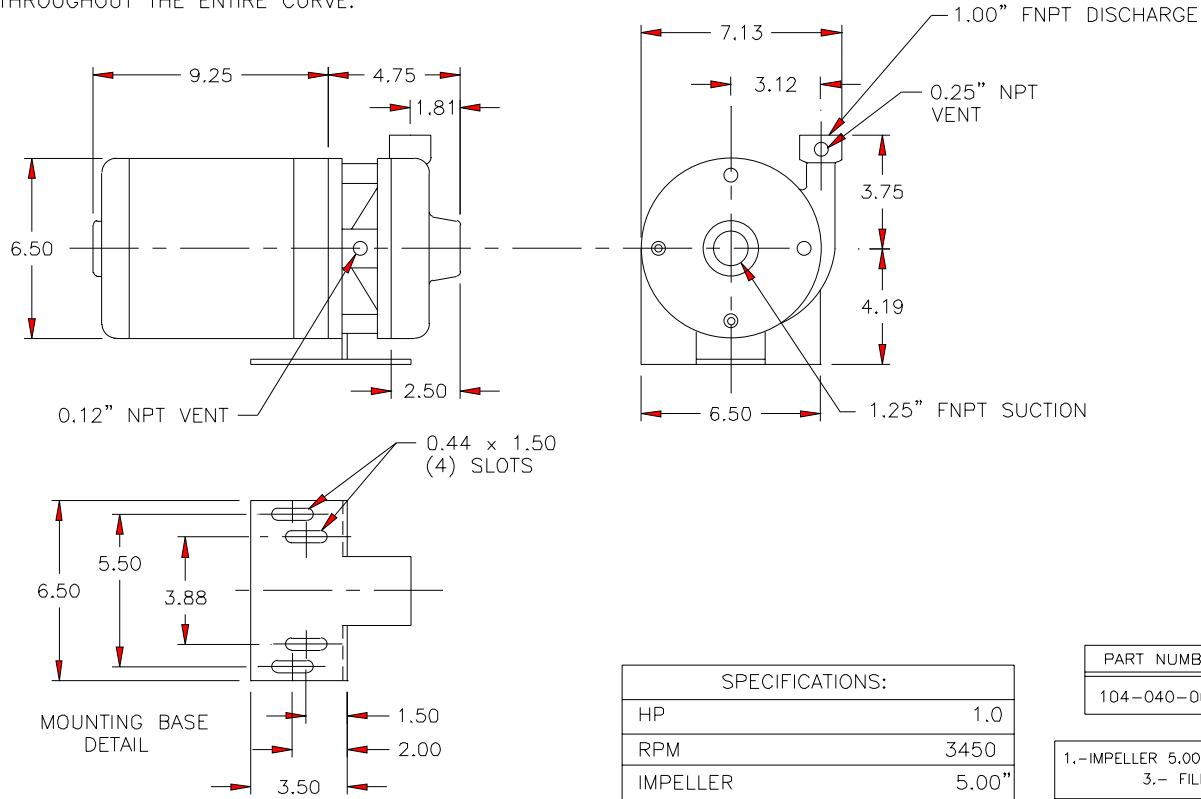
1.- CHANGE SCALE 2.- 104-030-002 WAS A104-075		3-11-04	E. DIAZ
3.- FILE NO. 14030002A WAS 14030001			
DESCRIPTION OF REVISION			DATE
DATE: 3-11-04	DRAWN BY: E. DIAZ		BY
<b>DATA AIRE INC.</b> 230 W. BLUERIDGE AVE. ORANGE, CALIFORNIA 92865			
ENGINEER #1	SCALE 1=4	WT.	SHEET 1 OF 1
ENGINEER #2	TITLE		
<b>CENTRIFUGAL PUMP</b> <b>3/4 HP, 3450 RPM</b>			
NEXT ASSEMBLY	USED ON	DR PU	REV.
APPLICATION	FILE NO. 14030002A	DRAWING NO. 104-030-002	A

NOTICE: THIS DRAWING EMBODIES A PROPRIETARY DESIGN, ORIGINATED BY DATA AIRE, INC. ALL DESIGN MANUFACTURING, REPRODUCTION (EXCEPTING WHERE THE RECIPIENT HAS BEEN GIVEN THE EXPRESS RIGHT BY WRITTEN AGREEMENT TO PRODUCE THE DRAWING), USE AND SALE RIGHTS REGARDING THE SAME ARE EXPRESSLY RESERVED. IT IS SUBMITTED UNDER CONFIDENTIAL RELATIONSHIP FOR A SPECIFIC PURPOSE. THE RECIPIENT AGREES BY ACCEPTING THIS DRAWING NOT TO SUPPLY OR DISCLOSE ANY INFORMATION REGARDING IT TO ANY UNAUTHORIZED PERSON, OR TO INCORPORATE IN OTHER PROJECTS ANY SPECIAL FEATURES PECULIAR TO THIS DESIGN. ALL PATENT RIGHTS HERETO ARE EXPRESSLY RESERVED BY DATA AIRE, INC., ORANGE CALIFORNIA, U.S.A.

FORM#: 4.5-003 REV. B



NOTE: THIS CURVE CROSSES 1 BHP AT 20 GPM.  
HOWEVER THE SERVICE FACTOR FOR THIS MOTOR IS 1.30  
WHICH WILL NOT CAUSE AN OVERLOAD CONDITION  
THROUGHOUT THE ENTIRE CURVE.



SPECIFICATIONS:	
HP	1.0
RPM	3450
IMPELLER	5.00"
DISCHARGE CONNECTION	1" FNPT
SUCTION CONNECTION	1.25" FNPT
WEIGHT	50 LBS

PART NUMBER	VOLTAGE	MOTOR FLA
104-040-002	208-230/460/3/60	3.4/1.6

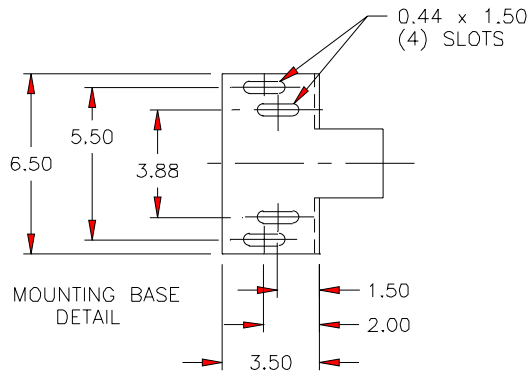
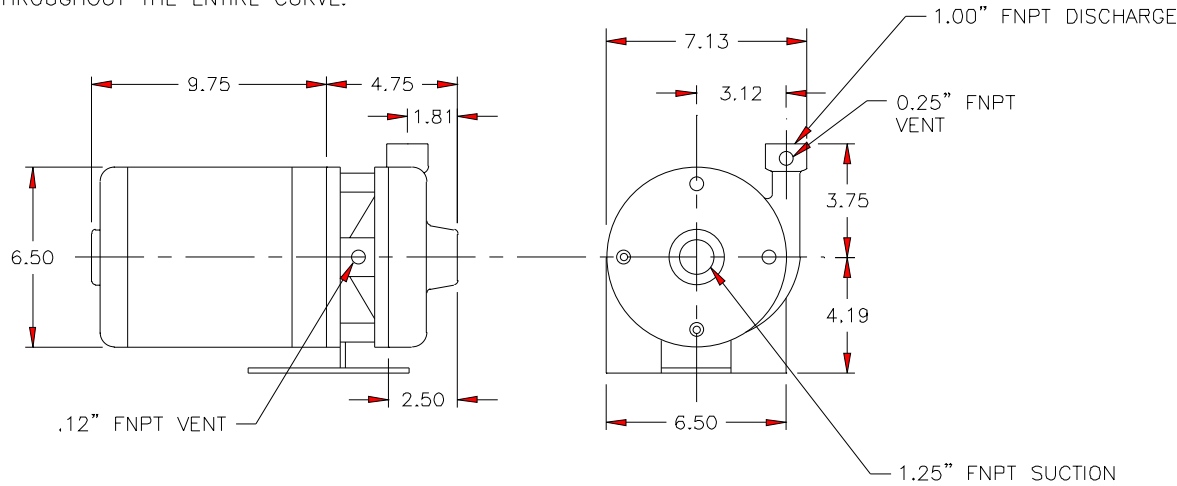
1.-IMPELLER 5.00" WAS 5.50" 2.-104-040-002 WAS 104-040-100		3-12-04	E. DIAZ
3.- FILE NO. 14040002A WAS 14040001			
DESCRIPTION OF REVISION		DATE	BY
DRAWN BY: E. DIAZ	DATE: 3-12-04	DATA AIRE INC. 230 W. BLUERIDGE AVE. ORANGE, CALIFORNIA 92865	
ENGINEER #1		SCALE 1=4	WT. SHEET 1 OF 1
ENGINEER #2		TITLE	
CENTRIFUGAL PUMP 1 HP, 3450 RPM			
NEXT ASSEMBLY	USED ON	DIR PU	FILE NO. 14040002A
APPLICATION		DRAWING NO.	REV.
		104-040-002	A

NOTICE: THIS DRAWING EMBODIES A PROPRIETARY DESIGN, ORIGINATED BY DATA AIRE, INC. ALL DESIGN MANUFACTURING, REPRODUCTION (EXCEPTING WHERE THE RECIPIENT HAS BEEN GIVEN THE EXPRESS RIGHT BY WRITTEN AGREEMENT TO PRODUCE THE DRAWING), USE AND SALE RIGHTS REGARDING THE SAME ARE EXPRESSLY RESERVED. IT IS SUBMITTED UNDER CONFIDENTIAL RELATIONSHIP FOR A SPECIFIC PURPOSE. THE RECIPIENT AGREES BY ACCEPTING THIS DRAWING NOT TO SUPPLY OR DISCLOSE ANY INFORMATION REGARDING IT TO ANY UNAUTHORIZED PERSON, OR TO INCORPORATE IN OTHER PROJECTS ANY SPECIAL FEATURES PECULIAR TO THIS DESIGN. ALL PATENT RIGHTS HERETO ARE EXPRESSLY RESERVED BY DATA AIRE, INC., ORANGE CALIFORNIA, U.S.A.

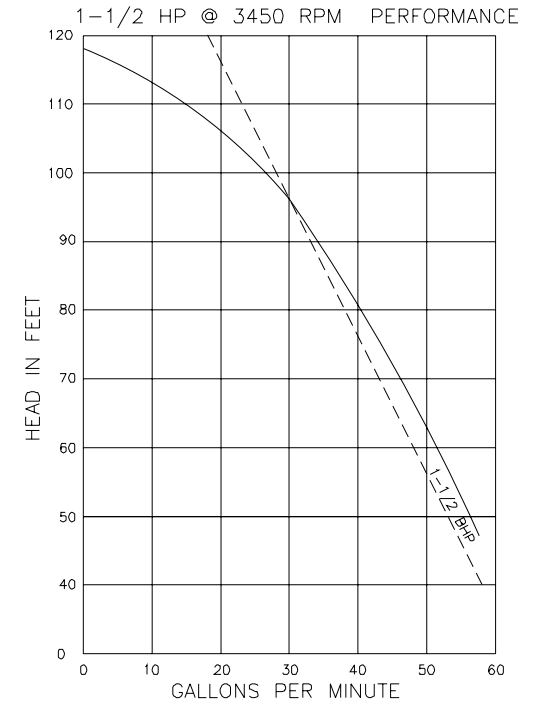
FORM#: 4.5-003 REV. B



NOTE: THIS CURVE CROSSES 1.5 BHP AT 30 GPM.  
 HOWEVER THE SERVICE FACTOR FOR THIS MOTOR IS 1.20  
 WHICH WILL NOT CAUSE AN OVERLOAD CONDITION  
 THROUGHOUT THE ENTIRE CURVE.



SPECIFICATIONS:	
HP	1-1/2
RPM	3450
IMPELLER	5.50"
DISCHARGE CONNECTION	1" FNPT
SUCTION CONNECTION	1.25" FNPT
WEIGHT	52 LBS



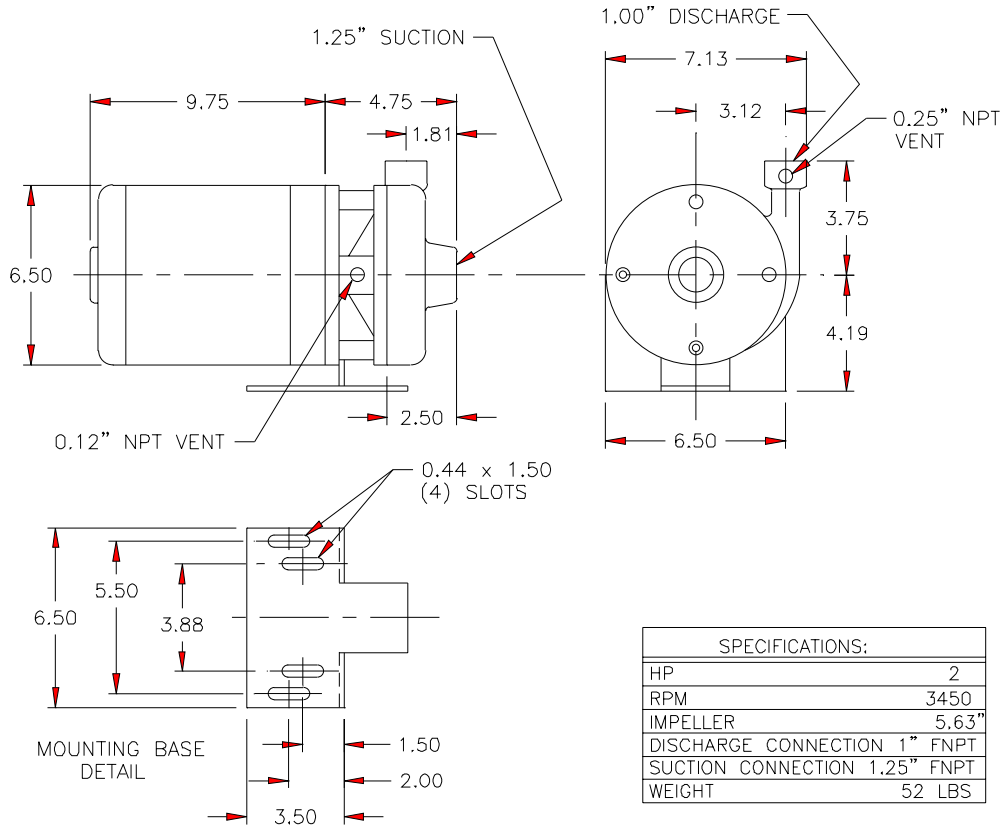
PART NUMBER	VOLTAGE	MOTOR FLA
104-050-002	208-230/460/3/60	5.6/2.8

1.-MOTOR FLA 5.6/2.8 WAS 4.4/2.1 2.-104-050-002 WAS A104-150		3-12-04	E. DIAZ
3.- FILE NO. 14050002A WAS 14050001			
DESCRIPTION OF REVISION		DATE	BY
DRAWN BY: E. DIAZ	DATE: 3-12-04	230 W. BLUERIDGE AVE. ORANGE, CALIFORNIA 92865	
ENGINEER #1		SCALE 1 = 4	WT. SHEET 1 OF 1
ENGINEER #2		TITLE	
CENTRIFUGAL PUMP 1-1/2 HP, 3450 RPM			
NEXT ASSEMBLY	USED ON	DIR PU	FILE NO. 14050002A
APPLICATION		DRAWING NO. 104-050-002	REV. A

NOTICE: THIS DRAWING EMBODIES A PROPRIETARY DESIGN, ORIGINATED BY DATA AIRE, INC. ALL DESIGN MANUFACTURING, REPRODUCTION (EXCEPTING WHERE THE RECIPIENT HAS BEEN GIVEN THE EXPRESS RIGHT BY WRITTEN AGREEMENT TO PRODUCE THE DRAWING), USE AND SALE RIGHTS REGARDING THE SAME ARE EXPRESSLY RESERVED. IT IS SUBMITTED UNDER CONFIDENTIAL RELATIONSHIP FOR A SPECIFIC PURPOSE. THE RECIPIENT AGREES BY ACCEPTING THIS DRAWING NOT TO SUPPLY OR DISCLOSE ANY INFORMATION REGARDING IT TO ANY UNAUTHORIZED PERSON, OR TO INCORPORATE IN OTHER PROJECTS ANY SPECIAL FEATURES REGULAR TO THIS DESIGN. ALL PATENT RIGHTS HERETO ARE EXPRESSLY RESERVED BY DATA AIRE, INC., ORANGE CALIFORNIA, U.S.A.

FORM#: 4.5-003 REV. B

NOTE: THIS CURVE CROSSES 2 BHP AT 45 GPM. HOWEVER THE SERVICE FACTOR FOR THIS MOTOR IS 1.15 WHICH WILL NOT CAUSE AN OVERLOAD CONDITION THROUGHOUT THE ENTIRE CURVE.



SPECIFICATIONS:	
HP	2
RPM	3450
IMPELLER	5.63"
DISCHARGE CONNECTION	1" FNPT
SUCTION CONNECTION	1.25" FNPT
WEIGHT	52 LBS

PART NUMBER	VOLTAGE	MOTOR FLA
104-060-002	208-230/460/3/60	7.5/3.7

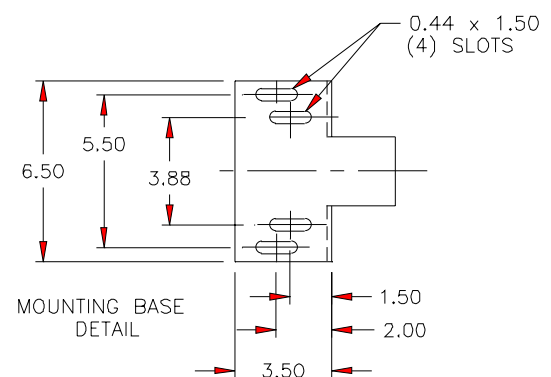
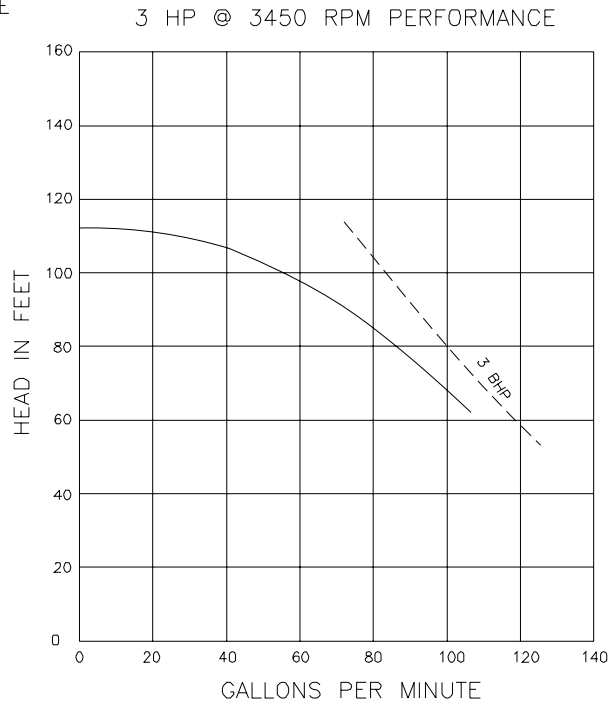
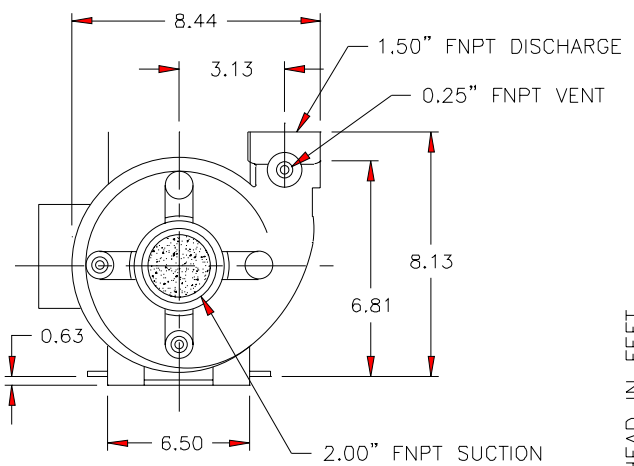
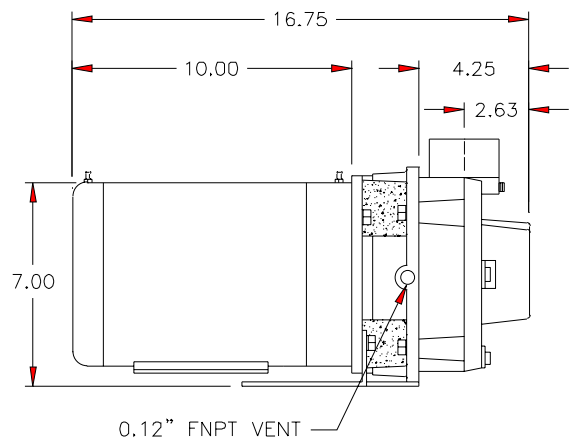


1.-CHANGE SCALE, 2.-104-060-002 WAS A104-200		3-12-04	E. DIAZ
3.- FILE NO. 14060002A WAS 14060001			
DESCRIPTION OF REVISION		DATE	BY
DRAWN BY: E. DIAZ	DATE: 3-12-04	DATA AIRE INC. 230 W. BLUERIDGE AVE. ORANGE, CALIFORNIA 92865	
ENGINEER #1		SCALE 1=4	WT. SHEET 1 OF 1
ENGINEER #2		TITLE	
		CENTRIFUGAL PUMP	
		2.0 HP, 3450 RPM	
NEXT ASSEMBLY	USED ON	DIR PU	REV. A
APPLICATION		FILE NO. 14060002A	DRAWING NO. 104-060-002

NOTICE: THIS DRAWING EMBODIES A PROPRIETARY DESIGN, ORIGINATED BY DATA AIRE, INC. ALL DESIGN, MANUFACTURING, REPRODUCTION (EXCEPTING WHERE THE RECIPIENT HAS BEEN GIVEN THE EXPRESS RIGHT BY WRITTEN AGREEMENT TO PRODUCE THE DRAWING), USE AND SALE RIGHTS REGARDING THE SAME ARE EXPRESSLY RESERVED. IT IS SUBMITTED UNDER CONFIDENTIAL RELATIONSHIP FOR A SPECIFIC PURPOSE. THE RECIPIENT AGREES BY ACCEPTING THIS DRAWING NOT TO SUPPLY OR DISCLOSE ANY INFORMATION REGARDING IT TO ANY UNAUTHORIZED PERSON, OR TO INCORPORATE IN OTHER PROJECTS ANY SPECIAL FEATURES PECULIAR TO THIS DESIGN. ALL PATENT RIGHTS HERETO ARE EXPRESSLY RESERVED BY DATA AIRE, INC., ORANGE CALIFORNIA, U.S.A.

FORM#: 4.5-003 REV. B





SPECIFICATIONS:	
HP	3
RPM	3450
IMPELLER	5.25"
DISCHARGE CONNECTION	1.50" FNPT
SUCTION CONNECTION	2.00" FNPT
WEIGHT	88 LBS

PART NUMBER	VOLTAGE	MOTOR FLA
104-070-002	208-230/460/3/60	10.5/5.2

1.-HP 3 WAS 5, 2.-104-070-002 WAS 104-070-300		3-12-04	E. DIAZ
3.- FILE NO. 14070002A WAS 14070001			
DESCRIPTION OF REVISION		DATE	BY
DRAWN BY: E. DIAZ	DATE: 3-12-04		
ENGINEER #1			
ENGINEER #2			
NEXT ASSEMBLY		USED ON	
APPLICATION		DIR PU	FILE NO. 14070002A
		DRAWING NO. 104-070-002	REV. A

**DATA AIRE INC.** 230 W. BLUERIDGE AVE.  
ORANGE, CALIFORNIA 92865

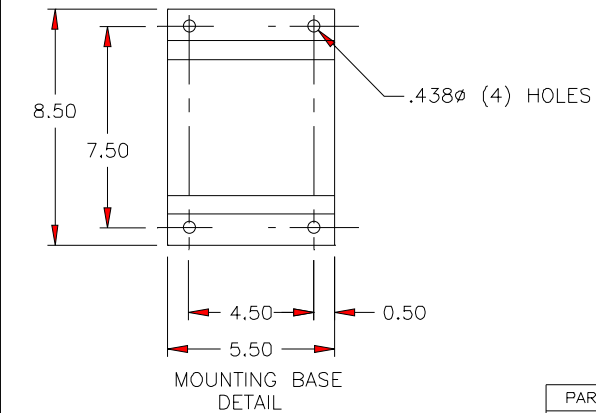
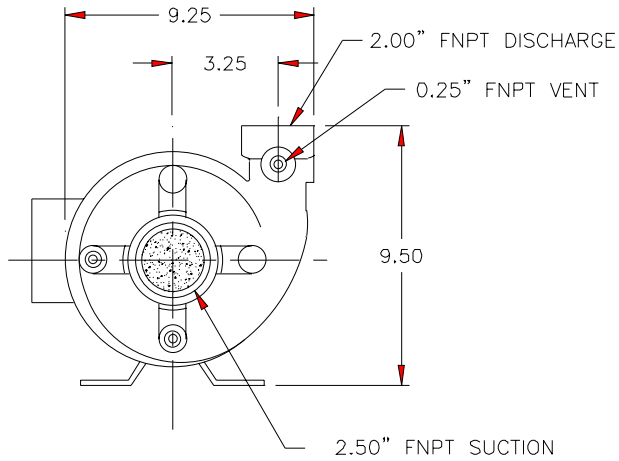
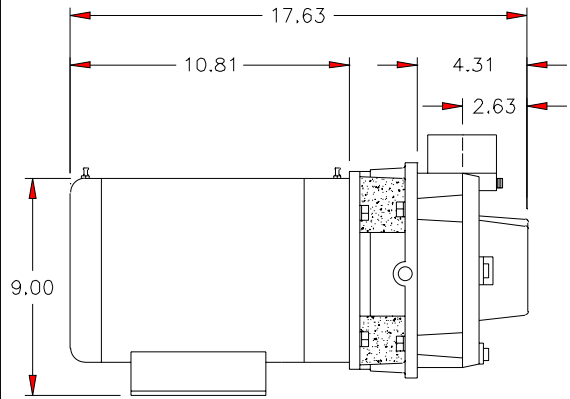
SCALE 1=4 WT. SHEET 1 OF 1

TITLE  
**CENTRIFUGAL PUMP  
3.0 HP, 3450 RPM**

NOTICE: THIS DRAWING EMBODIES A PROPRIETARY DESIGN, ORIGINATED BY DATA AIRE, INC. ALL DESIGN MANUFACTURING, REPRODUCTION (EXCEPTING WHERE THE RECIPIENT HAS BEEN GIVEN THE EXPRESS RIGHT BY WRITTEN AGREEMENT TO PRODUCE THE DRAWING), USE AND SALE RIGHTS REGARDING THE SAME ARE EXPRESSLY RESERVED. IT IS SUBMITTED UNDER CONFIDENTIAL RELATIONSHIP FOR A SPECIFIC PURPOSE. THE RECIPIENT AGREES BY ACCEPTING THIS DRAWING NOT TO SUPPLY OR DISCLOSE ANY INFORMATION REGARDING IT TO ANY UNAUTHORIZED PERSON, OR TO INCORPORATE IN OTHER PROJECTS ANY SPECIAL FEATURES PECULIAR TO THIS DESIGN. ALL PATENT RIGHTS HERETO ARE EXPRESSLY RESERVED BY DATA AIRE, INC., ORANGE CALIFORNIA, U.S.A.

FORM#: 4.5-003 REV. B





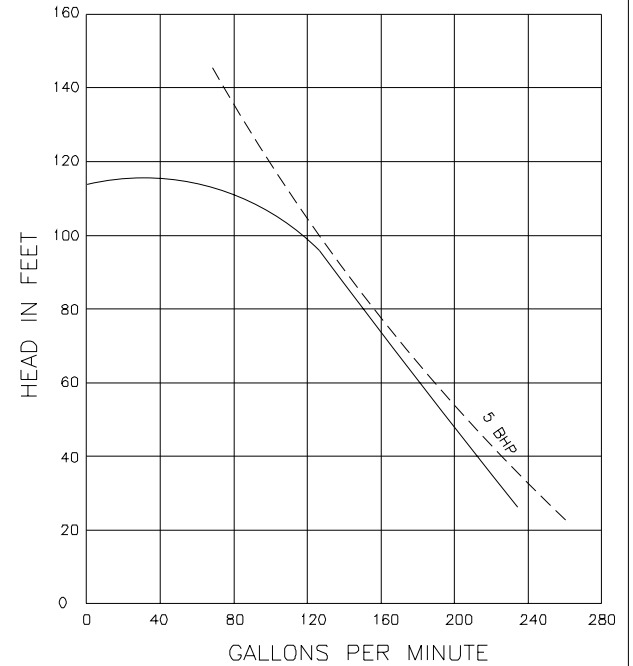
SPECIFICATIONS:	
HP	5
RPM	3450
IMPELLER	5.25"
DISCHARGE CONNECTION	2" FNPT
SUCTION CONNECTION	2.50" FNPT
WEIGHT	115 LBS

PART NUMBER	VOLTAGE	MOTOR FLA
104-080-002	208-230/460/3/60	16.3/8.3

NOTICE: THIS DRAWING EMBODIES A PROPRIETARY DESIGN, ORIGINATED BY DATA AIRE, INC. ALL DESIGN, MANUFACTURING, REPRODUCTION (EXCEPTING WHERE THE RECIPIENT HAS BEEN GIVEN THE EXPRESS RIGHT BY WRITTEN AGREEMENT TO PRODUCE THE DRAWING), USE AND SALE RIGHTS REGARDING THE SAME ARE EXPRESSLY RESERVED. IT IS SUBMITTED UNDER CONFIDENTIAL RELATIONSHIP FOR A SPECIFIC PURPOSE. THE RECIPIENT AGREES BY ACCEPTING THIS DRAWING NOT TO SUPPLY OR DISCLOSE ANY INFORMATION REGARDING IT TO ANY UNAUTHORIZED PERSON, OR TO INCORPORATE IN OTHER PROJECTS ANY SPECIAL FEATURES PECULIAR TO THIS DESIGN. ALL PATENT RIGHTS HERETO ARE EXPRESSLY RESERVED BY DATA AIRE, INC., ORANGE CALIFORNIA, U.S.A.

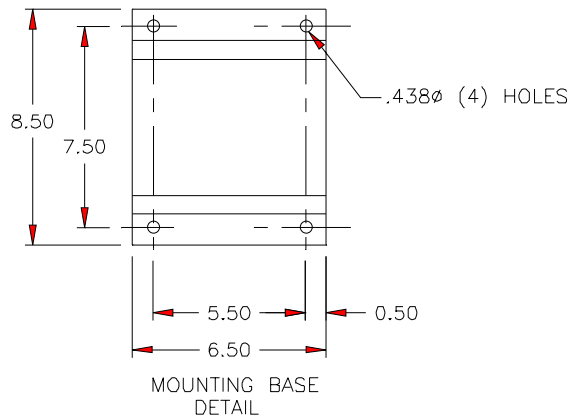
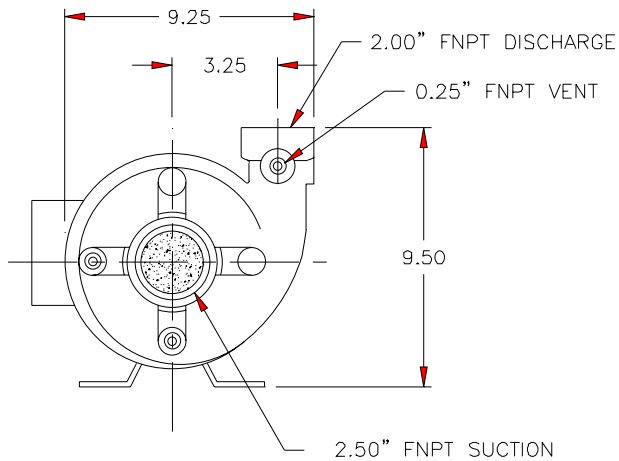
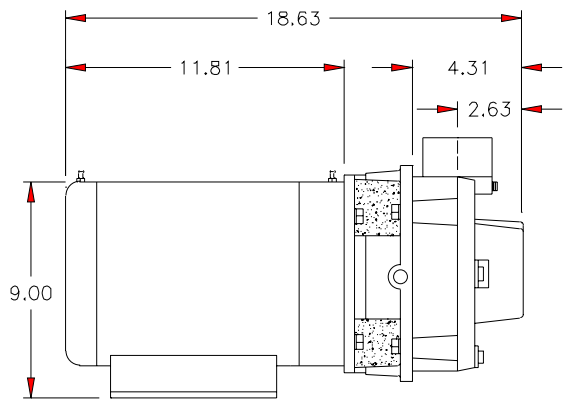
FORM#: 4.5-003 REV. B

5 HP @ 3450 RPM PERFORMANCE

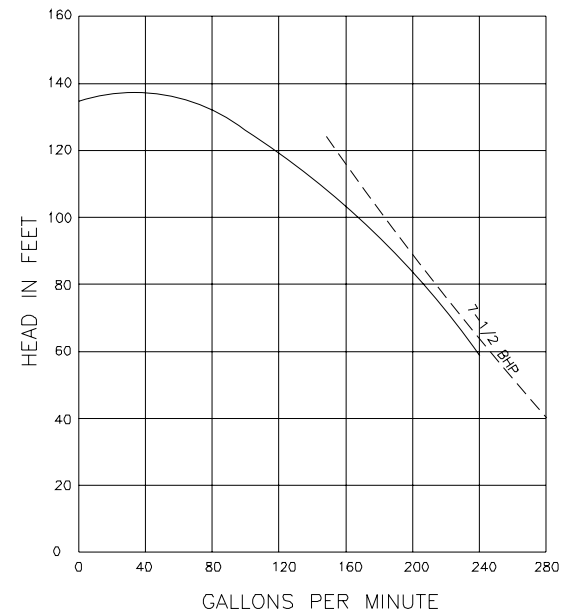


1.-104-080-002 WAS A104-500		3-12-04		E. DIAZ	
2.- FILE NO. 14080002A WAS 14080001					
DESCRIPTION OF REVISION				DATE	BY
DRAWN BY: E. DIAZ	DATE: 3-12-04	<b>DATA AIRE INC.</b> 230 W. BLUERIDGE AVE. ORANGE, CALIFORNIA 92865			
ENGINEER #1					
ENGINEER #2		SCALE 1 = 4	WT.	SHEET 1 OF 1	
TITLE					
<b>CENTRIFUGAL PUMP</b> <b>5.0 HP, 3450 RPM</b>					
NEXT ASSEMBLY		USED ON		DIR	REV.
APPLICATION		FILE NO.	DRAWING NO.	14080002A	104-080-002





7-1/2 HP @ 3450 RPM PERFORMANCE



PART NUMBER	VOLTAGE	MOTOR FLA
104-090-002	208-230/460/3/60	22.0/11.0

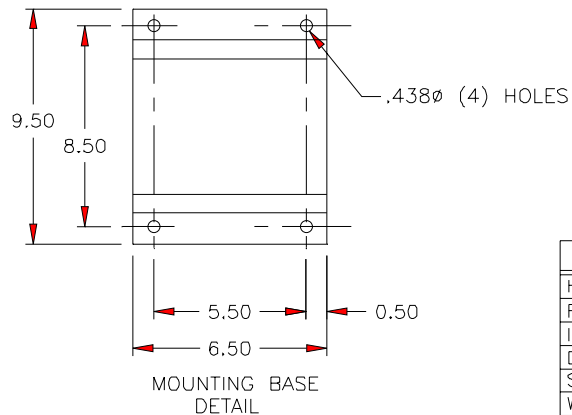
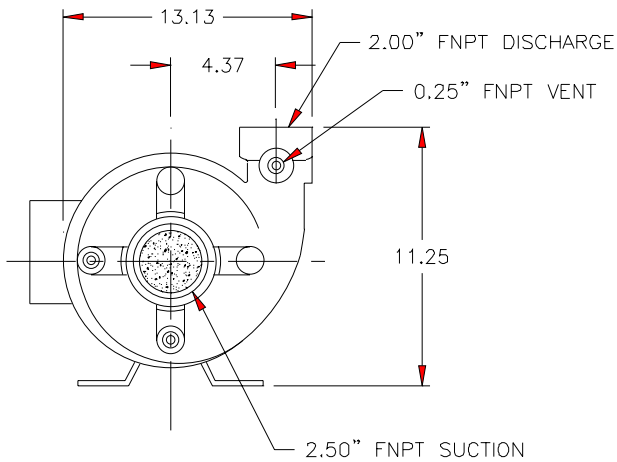
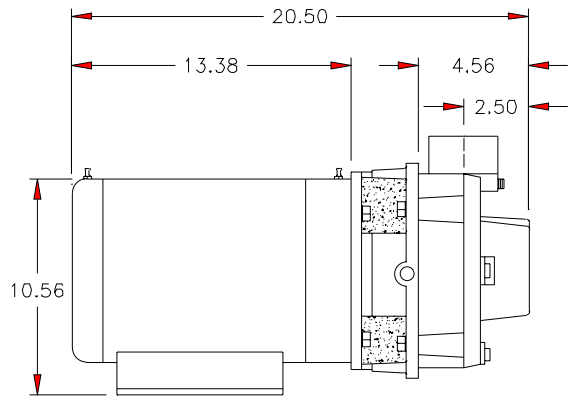
SPECIFICATIONS:	
HP	7-1/2
RPM	3450
IMPELLER	5.63"
DISCHARGE CONNECTION	2" FNPT
SUCTION CONNECTION	2.50" FNPT
WEIGHT	122 LBS

1.- 14090002A WAS 14090001		3-24-04	E. DIAZ
2.- 104-090-002 WAS A104-750			
DESCRIPTION OF REVISION		DATE	BY
DRAWN BY: E. DIAZ	DATE: 3-24-04	<b>DATA AIRE INC.</b> 230 W. BLUERIDGE AVE. ORANGE, CALIFORNIA 92865	
ENGINEER #1		SCALE 1=4	WT. SHEET 1 OF 1
ENGINEER #2		TITLE <b>CENTRIFUGAL PUMP</b> <b>7-1/2 HP, 3450 RPM</b>	
NEXT ASSEMBLY	USED ON	DIR PU 14090002A	DRAWING NO. 104-090-002
APPLICATION		REV. A	

NOTICE: THIS DRAWING EMBODIES A PROPRIETARY DESIGN, ORIGINATED BY DATA AIRE, INC. ALL DESIGN MANUFACTURING, REPRODUCTION (EXCEPTING WHERE THE RECIPIENT HAS BEEN GIVEN THE EXPRESS RIGHT BY WRITTEN AGREEMENT TO PRODUCE THE DRAWING), USE AND SALE RIGHTS REGARDING THE SAME ARE EXPRESSLY RESERVED. IT IS SUBMITTED UNDER CONFIDENTIAL RELATIONSHIP FOR A SPECIFIC PURPOSE. THE RECIPIENT AGREES BY ACCEPTING THIS DRAWING NOT TO SUPPLY OR DISCLOSE ANY INFORMATION REGARDING IT TO ANY UNAUTHORIZED PERSON, OR TO INCORPORATE IN OTHER PROJECTS ANY SPECIAL FEATURES PECULIAR TO THIS DESIGN. ALL PATENT RIGHTS HERETO ARE EXPRESSLY RESERVED BY DATA AIRE, INC., ORANGE CALIFORNIA, U.S.A.

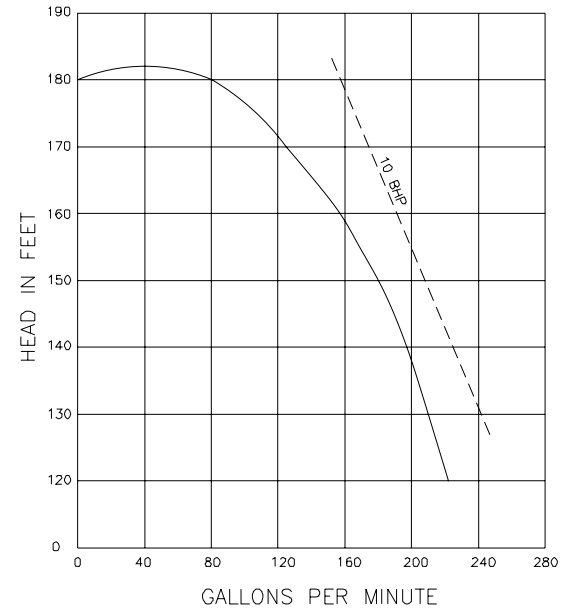
FORM#: 4.5-003 REV. B





SPECIFICATIONS:	
HP	10
RPM	3450
IMPELLER	6.50"
DISCHARGE CONNECTION	2" FNPT
SUCTION CONNECTION	2.50" FNPT
WEIGHT	163 LBS

10 HP @ 3450 RPM PERFORMANCE



PART NUMBER	VOLTAGE	MOTOR FLA
104-100-002	208-230/460/3/60	25.0/12.5

1.- CHANGE SCALE, 2.- 14100002A WAS 14010001		3-24-04	E. DIAZ
3.- 104-100-002 WAS A104-1000		DATE	BY
DESCRIPTION OF REVISION			
DRAWN BY: E. DIAZ	DATE: 3-24-04	DATA AIRE INC. 230 W. BLUERIDGE AVE. ORANGE, CALIFORNIA 92865	
ENGINEER #1		SCALE 1 = 4	WT. SHEET 1 OF 1
ENGINEER #2		TITLE	
CENTRIFUGAL PUMP			
10 HP, 3450 RPM			
NEXT ASSEMBLY	USED ON	DIR PU	REV. A
APPLICATION		FILE NO. 14020002A	DRAWING NO. 104-100-002

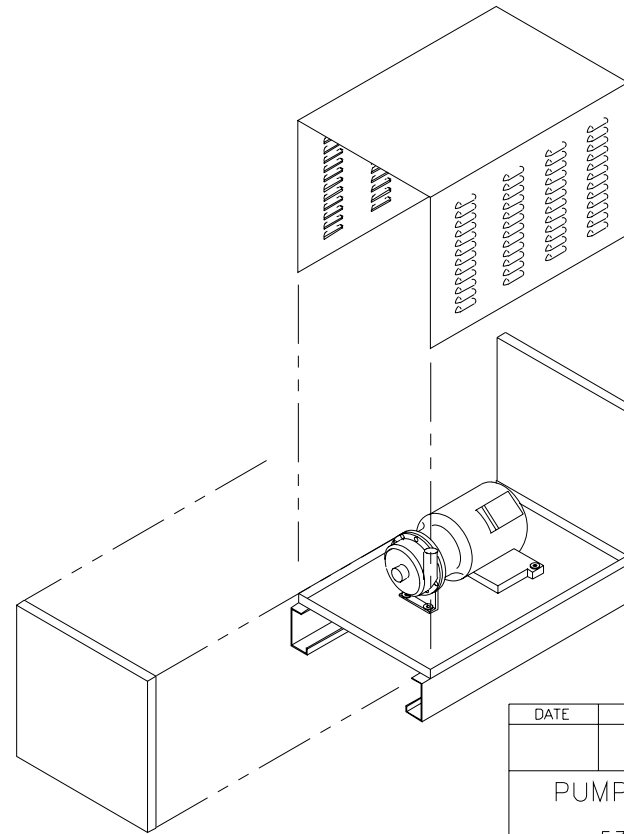
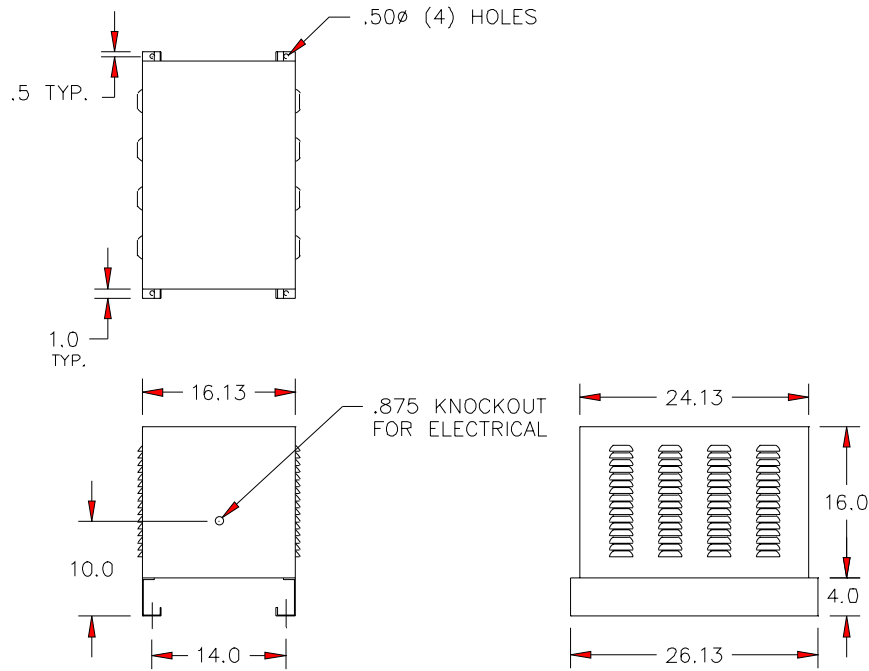
NOTICE: THIS DRAWING EMBODIES A PROPRIETARY DESIGN, ORIGINATED BY DATA AIRE, INC. ALL DESIGN MANUFACTURING, REPRODUCTION (EXCEPTING WHERE THE RECIPIENT HAS BEEN GIVEN THE EXPRESS RIGHT BY WRITTEN AGREEMENT TO PRODUCE THE DRAWING), USE AND SALE RIGHTS REGARDING THE SAME ARE EXPRESSLY RESERVED. IT IS SUBMITTED UNDER CONFIDENTIAL RELATIONSHIP FOR A SPECIFIC PURPOSE. THE RECIPIENT AGREES BY ACCEPTING THIS DRAWING NOT TO SUPPLY OR DISCLOSE ANY INFORMATION REGARDING IT TO ANY UNAUTHORIZED PERSON, OR TO INCORPORATE IN OTHER PROJECTS ANY SPECIAL FEATURES PECULIAR TO THIS DESIGN. ALL PATENT RIGHTS HERETO ARE EXPRESSLY RESERVED BY DATA AIRE, INC., ORANGE CALIFORNIA, U.S.A.

FORM#: 4.5-003 REV. B



NOTES:

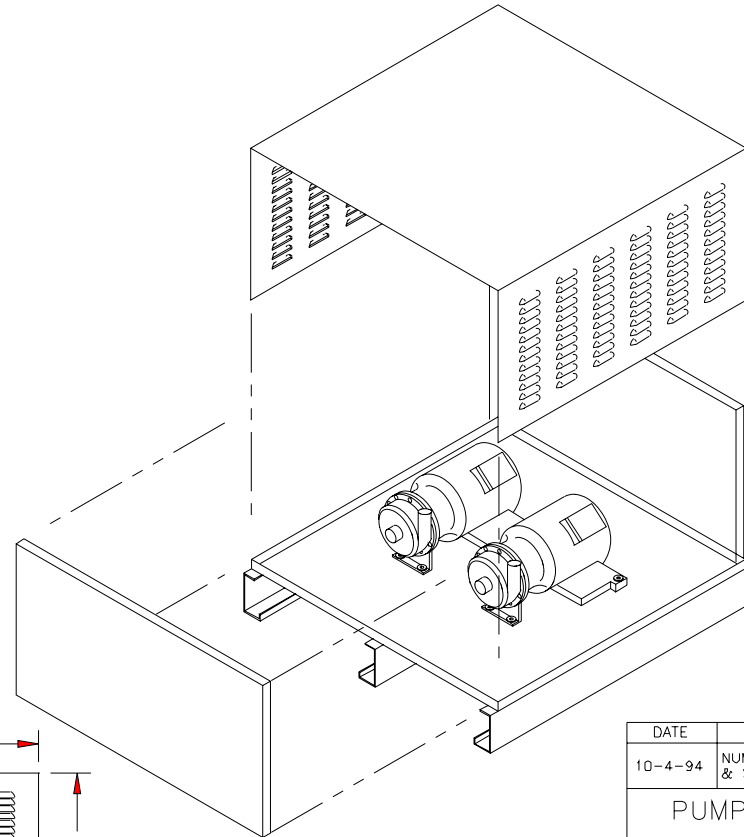
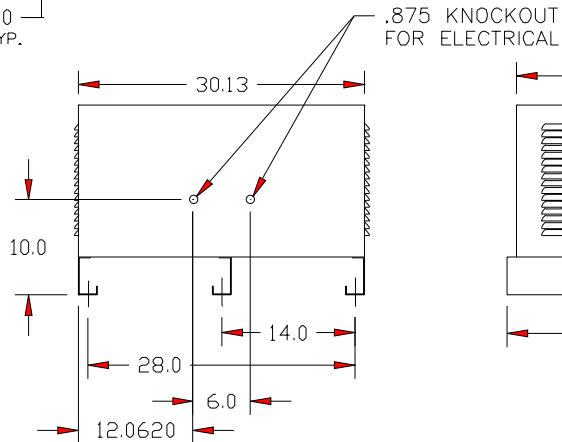
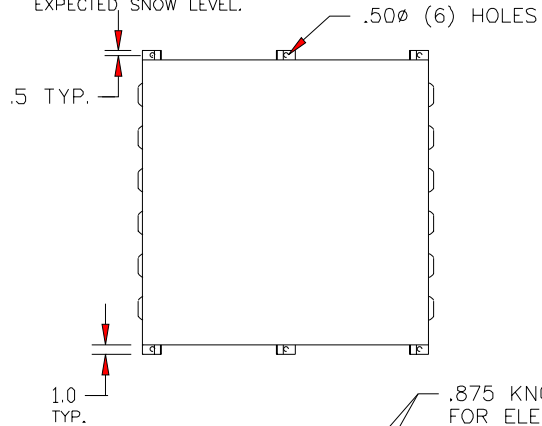
1. REFER TO UNIT INSTALLATION MANUAL FOR RECOMMENDED PIPING.
2. ISOLATION PADS OR EQUIVALENT ARE RECOMMENDED FOR MOUNTING THE ENCLOSURE TO STRUCTURE.
3. PUMPS ARE MOUNTED WITHIN ENCLOSURE WHEN ORDERED TOGETHER. NO PIPING ACCESS PROVIDED THRU ENCLOSURE.
4. IN COLD CLIMATE AREA, ENCLOSURE SHOULD BE MOUNTED ABOVE EXPECTED SNOW LEVEL.



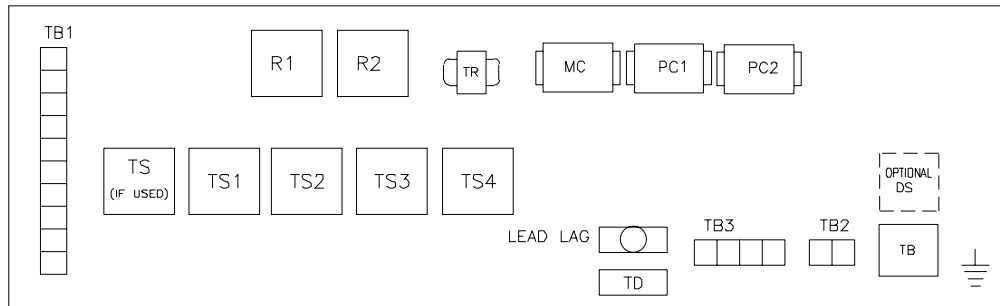
DATE	REVISION	LET	INT.
PUMP ENCLOSURE (SINGLE) 532-822-100			
DATA AIRE INC. A CONSTRUCTION SPECIALTIES INC. Company			
DRAWN BY :	ACROSS	SCALE :	0
CHECKED BY :		GR	CVERWPMP
DATE :	2-22-95	SHT.	1 OF 1
MATERIAL:		P/S	1 = 12
PUMP & COVER PART NO.			

NOTES:

1. REFER TO UNIT INSTALLATION MANUAL FOR RECOMMENDED PIPING.
2. ISOLATION PADS OR EQUIVALENT ARE RECOMMENDED FOR MOUNTING THE ENCLOSURE TO STRUCTURE.
3. PUMPS ARE MOUNTED WITHIN ENCLOSURE WHEN ORDERED TOGETHER. NO PIPING ACCESS PROVIDED THRU ENCLOSURE.
4. IN COLD CLIMATE AREA, ENCLOSURE SHOULD BE MOUNTED ABOVE EXPECTED SNOW LEVEL.

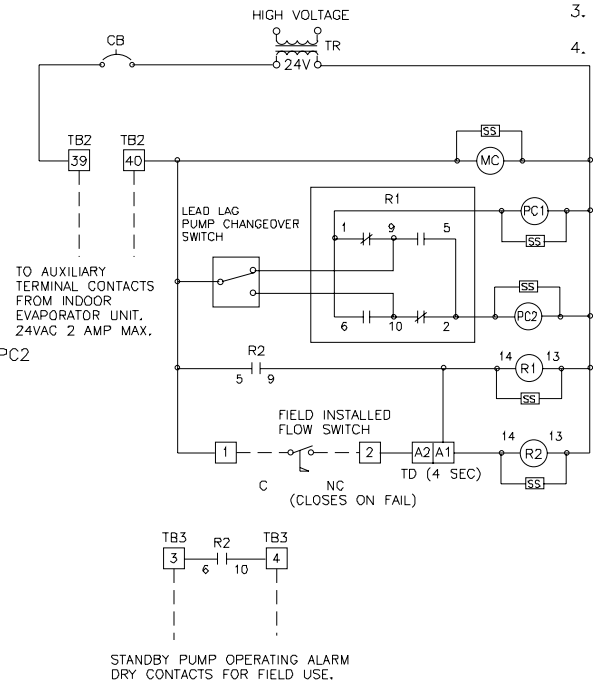
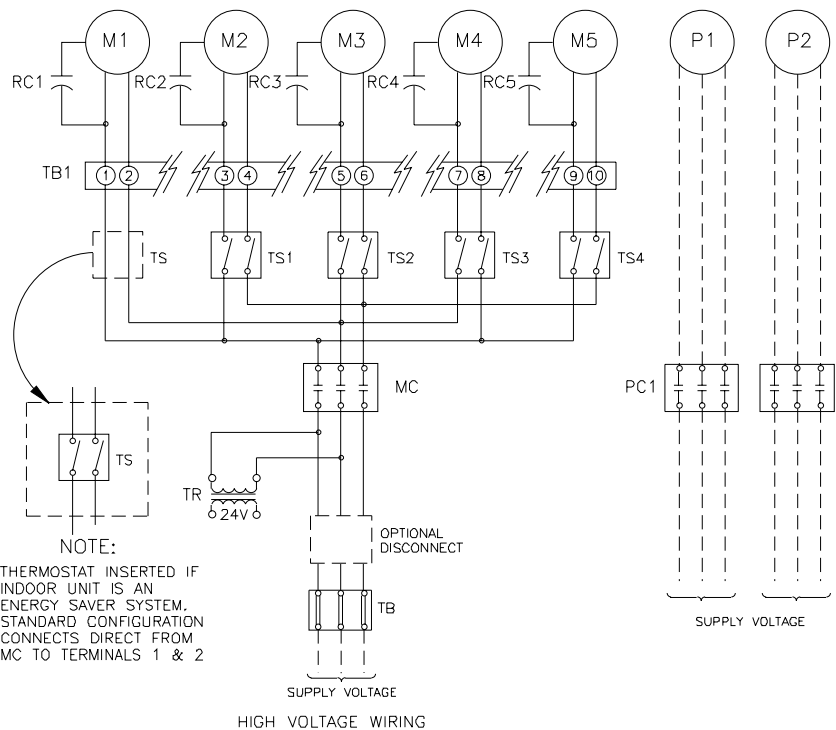


DATE	REVISION	LET	INT.
10-4-94	NUMBER OF LOUVERS & SPACING REVISED	A	ACR
PUMP ENCLOSURE (DOUBLE) 532-822-200			
DATA AIRE INC. A CONSTRUCTION SPECIALTIES INC. Company			
DRAWN BY : ACROSS		SCALE : 0	
CHECKED BY : GR/CVERWPMP			
DATE : 2-22-95		SHT. 1 OF 1	
MATERIAL:		P/S 1 = 12	
PUMP & COVER 2 PART NO.			



**CONTROL PANEL LAYOUT**

COMPONENT LOCATION MAY BE DIFFERENT ON SOME UNITS



**LEGEND**

- C = COMMON
- CB = CIRCUIT BREAKER
- DS = DISCONNECT SWITCH
- M = MOTOR
- MC = MOTOR CONTACTOR
- NC = NORMALLY CLOSED
- PC = PUMP CONTACTOR
- R = RELAY
- RC = RUN CAPACITOR
- SS = SURGE SUPPRESSOR
- TB = TERMINAL BLOCK
- TD = TIME DELAY
- TR = TRANSFORMER
- TS = THERMOSTAT
- = FIELD WIRING

**NOTES:**

1. ELECTRICAL INSTALLATION MUST COMPLY WITH ALL APPLICABLE CODES.
2. MOTOR QUANTITY MAY VARY.
3. ALL FAN MOTORS 3/4 HP AND LESS WILL BE SINGLE PHASE.
4. USE COPPER CONDUCTORS.

**REMOTE FLUID COOLER  
PUMP AUTOCHANGEOVER CONTROL**

**DATA AIRE INC.**  
A CONSTRUCTION SPECIALTIES INC. Company

DRAWN BY : E. DIAZ		SCALE : 0	
CHECKED BY :		DAFC	FCS051
DATE : 11-19-01		SHT. 1 OF 1	
MATERIAL:		P/S 1 = 1	

**DFC-S-051**  
PART NO.

FORM#: 4.5-005 REV. A





230 W. BlueRidge Avenue  
Orange, CA 92865  
800-347-2473

[www.dataaire.com](http://www.dataaire.com) e-mail: [sales@dataaire.com](mailto:sales@dataaire.com)  
A Member of the CS Group of Companies  
© 2004 Data Aire, Inc

PSG - 08/04

Data Aire, Inc. reserves the right to make design changes for the purpose of product improvement or to withdraw any design without notice.