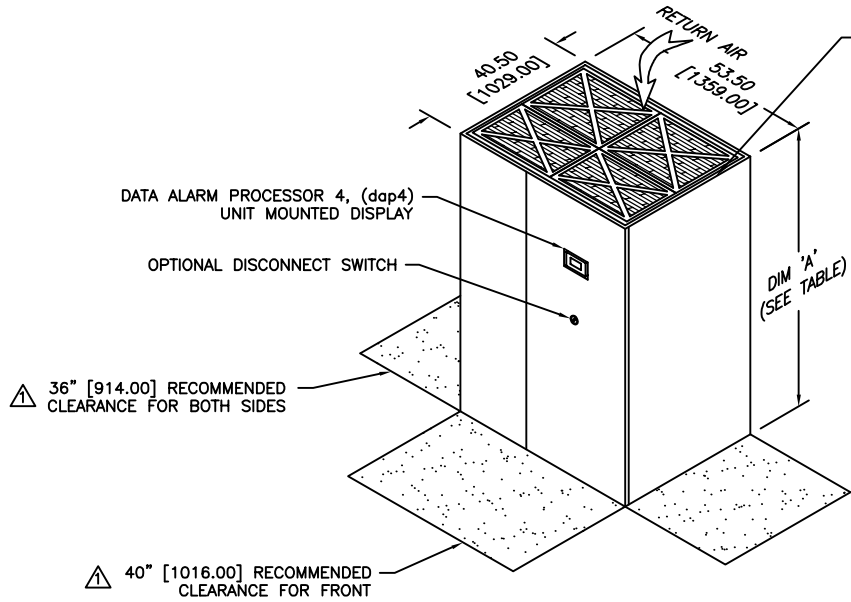


NOTES:

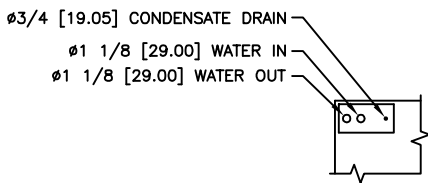
- 1. DIMENSIONS NOTED ARE THE MINIMUM CLEARANCES REQUIRED BY THE FACTORY. CONSULT LOCAL BUILDING CODES AND NEC FOR ADDITIONAL CLEARANCE REQUIREMENTS.
- 2. ALL STANDARD PIPING TERMINATES INSIDE OF CABINET. ALL OPTIONAL PIPING (TOP/SIDE) TERMINATES OUTSIDE OF CABINET.
- 3. NOT ALL COMPONENTS AND OPTIONS ARE SHOWN. LOCATIONS MAY VARY DEPENDING ON OPTIONS.
- 4. ALL UNIT DIMENSIONS ARE IN INCH [mm] FORMAT.

DIM 'A'	
78.00" [1981.00]	WITH 3KW FAN
84.00" [2134.00]	WITH 5KW FAN

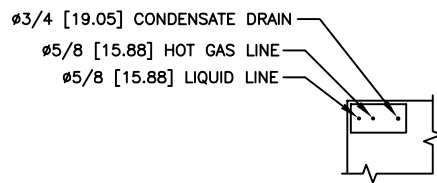
REVISIONS				
REV	DESCRIPTION	DATE	BY	CHKBY
B	UPDATED PIPE CONNECTION SIZES	11-02-15	RRK	GM



DIMENSIONAL DATA

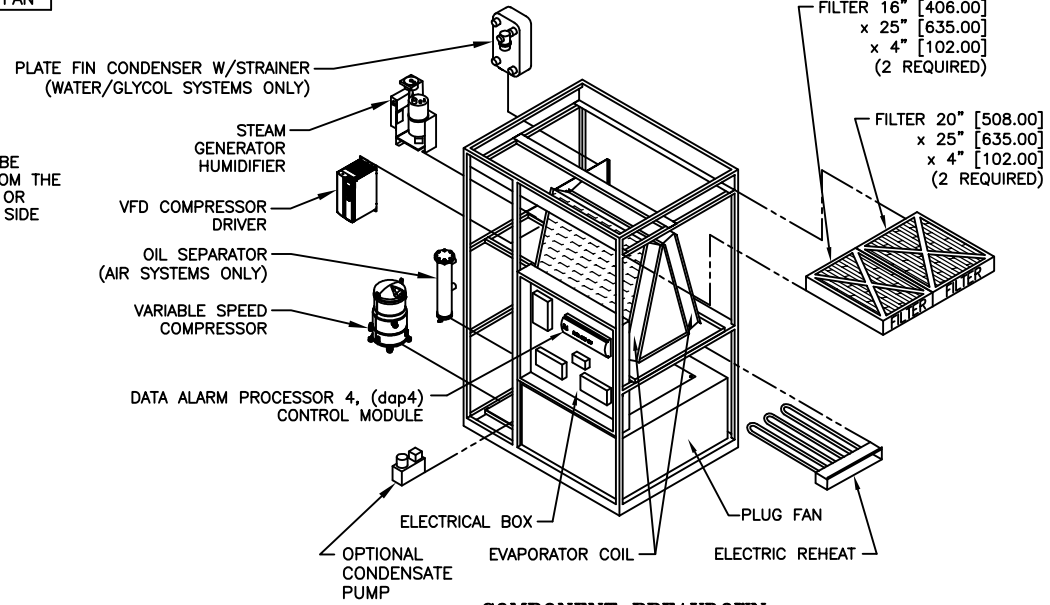


WATER/GLYCOL COOLED

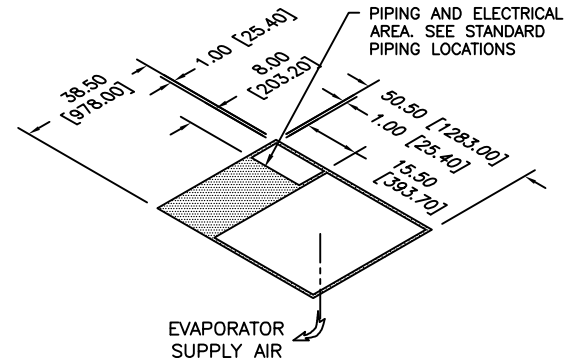


AIR COOLED

STANDARD PIPING LOCATIONS



COMPONENT BREAKDOWN



FLOOR CUTOUT DIMENSIONS

gForce ULTRA GU			
22 KW			
DX DOWNFLOW			
dataaire			
DRAWN BY :	J. PERKINS	SCALE:	NONE
CHECKED BY :	S. INYANG	SH	1 OF 1
DATE :	03-19-2015	REV	B
PART OF			
563-900-521			
DWG NO.			