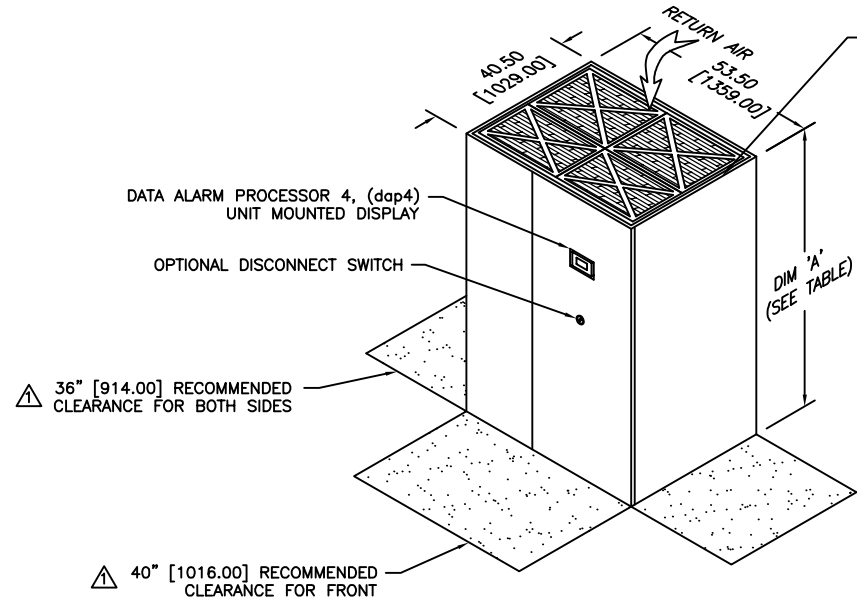


**NOTES:**

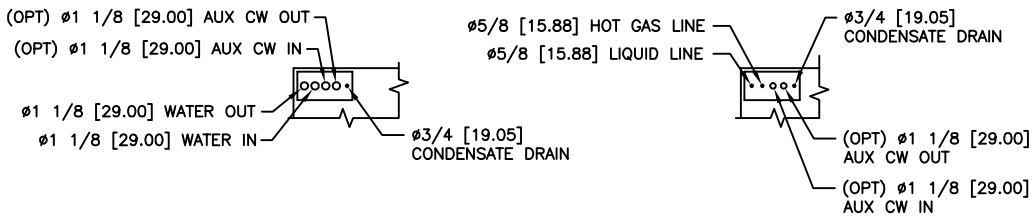
- 1. DIMENSIONS NOTED ARE THE MINIMUM CLEARANCES REQUIRED BY THE FACTORY. CONSULT LOCAL BUILDING CODES AND NEC FOR ADDITIONAL CLEARANCE REQUIREMENTS.
- 2. ALL STANDARD PIPING TERMINATES INSIDE OF CABINET. ALL OPTIONAL PIPING (TOP/SIDE) TERMINATES OUTSIDE OF CABINET.
- 3. NOT ALL COMPONENTS AND OPTIONS ARE SHOWN. LOCATIONS MAY VARY DEPENDING ON OPTIONS.
- 4. ALL UNIT DIMENSIONS ARE IN INCH [mm] FORMAT.

DIM 'A'	
78.00"	[1981.00] WITH 3KW FAN
84.00"	[2134.00] WITH 5KW FAN

REVISIONS				
REV	DESCRIPTION	DATE	BY	CHKBY
A	UPDATED PIPE CONNECTION SIZES	11-02-15	RRK	SI



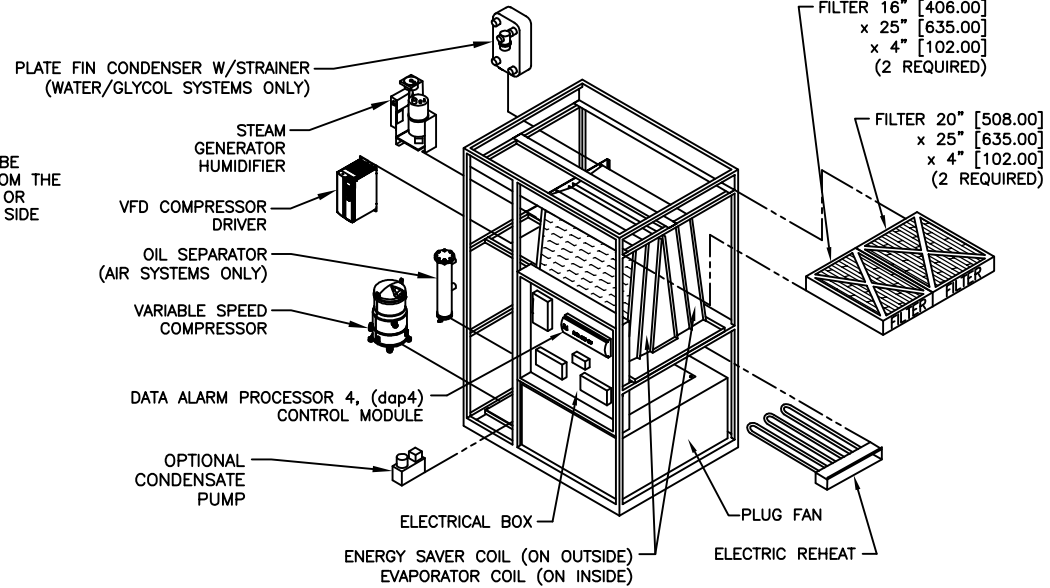
**DIMENSIONAL DATA**



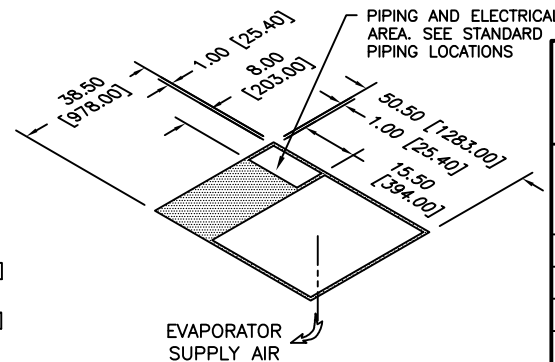
**WATER/GLYCOL COOLED**

**AIR COOLED**

**STANDARD PIPING LOCATIONS**



**COMPONENT BREAKDOWN**



**FLOOR CUTOUT DIMENSIONS**

gForce ULTRA GU  
22 KW DX DOWNFLOW  
WITH ENERGY SAVER COILS

**dataaire**

DRAWN BY : J. PERKINS		SCALE: NONE	
CHECKED BY : S. INYANG		SH 1 OF 1	
DATE :	03-23-2015	REV	A

PART OF  
**563-900-522**  
DWG NO.