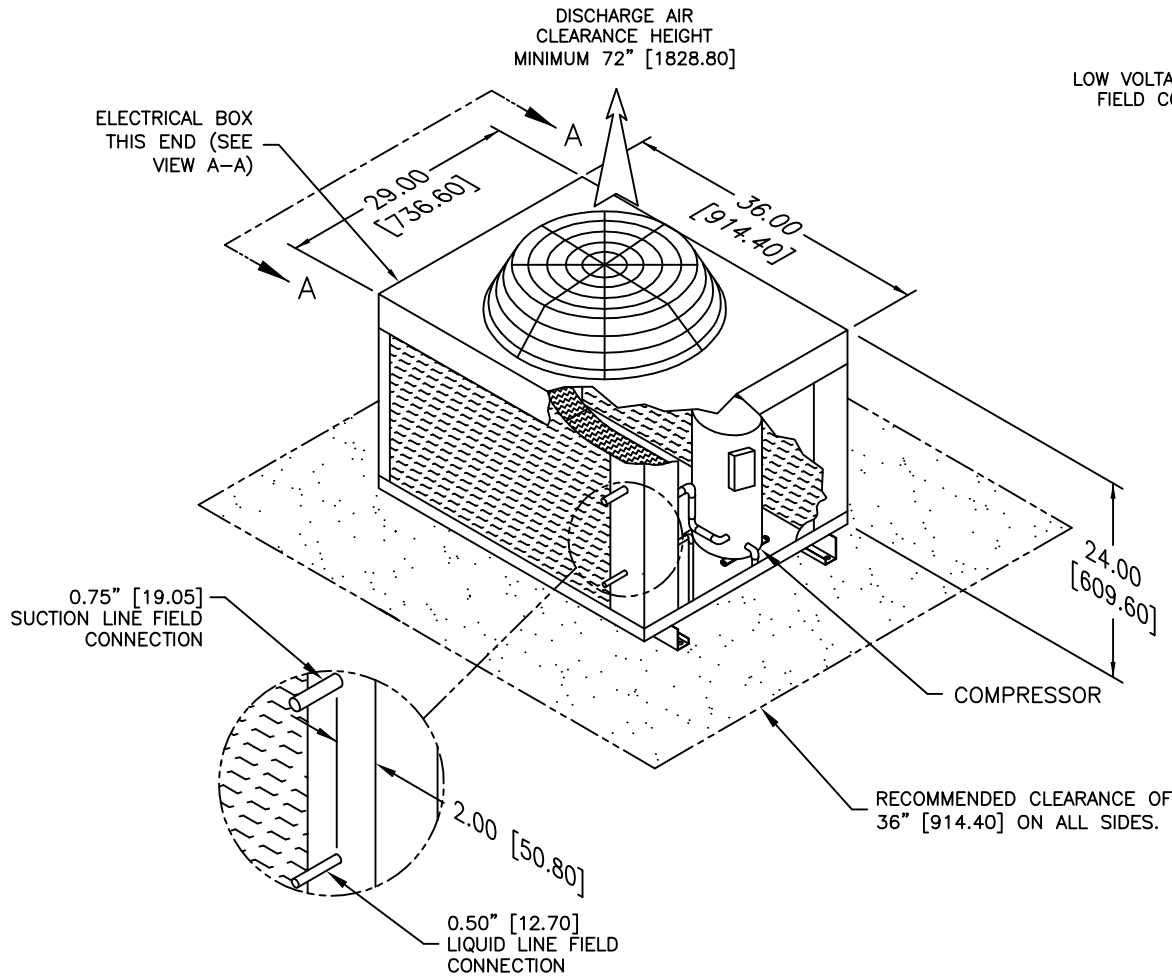


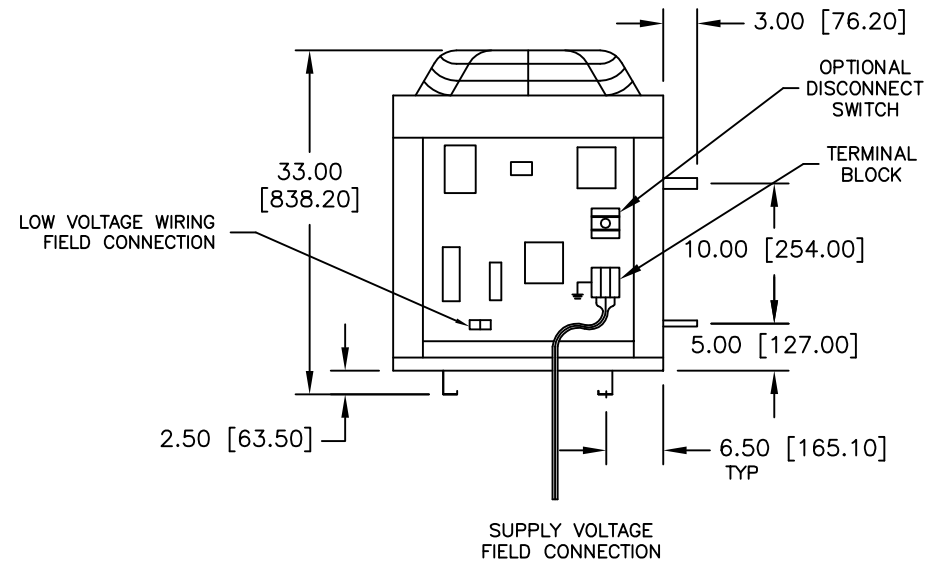
NOTES:

1. CONNECTION SIZES ARE NOT NECESSARILY THE RECOMMENDED FIELD PIPING SIZES.
2. EVAPORATOR SECTION NOT SHOWN.
3. ALL UNIT DIMENSIONS ARE IN INCH [mm] FORMAT.

MODEL NO.	OPERATING WEIGHT
DRCU 03	223 LBS
DRCU 05	266 LBS



REVISIONS			
REV	DESCRIPTION	DATE	BY
F	DECREASE HEIGHT 4", PER ECO: 016-14A	03-11-16	JAP



VIEW A-A

DRCU 03 & 05 REMOTE CONDENSING UNIT W/ SINGLE 1.5 TO 5 TON - SCROLL COMPRESSOR



DRAWN BY :	E. DIAZ	SCALE: NONE
CHECKED BY :		SH 1 OF 1
DATE :	03-01-1999	REV F

PART OF
DRCU-500-001
DWG NO.