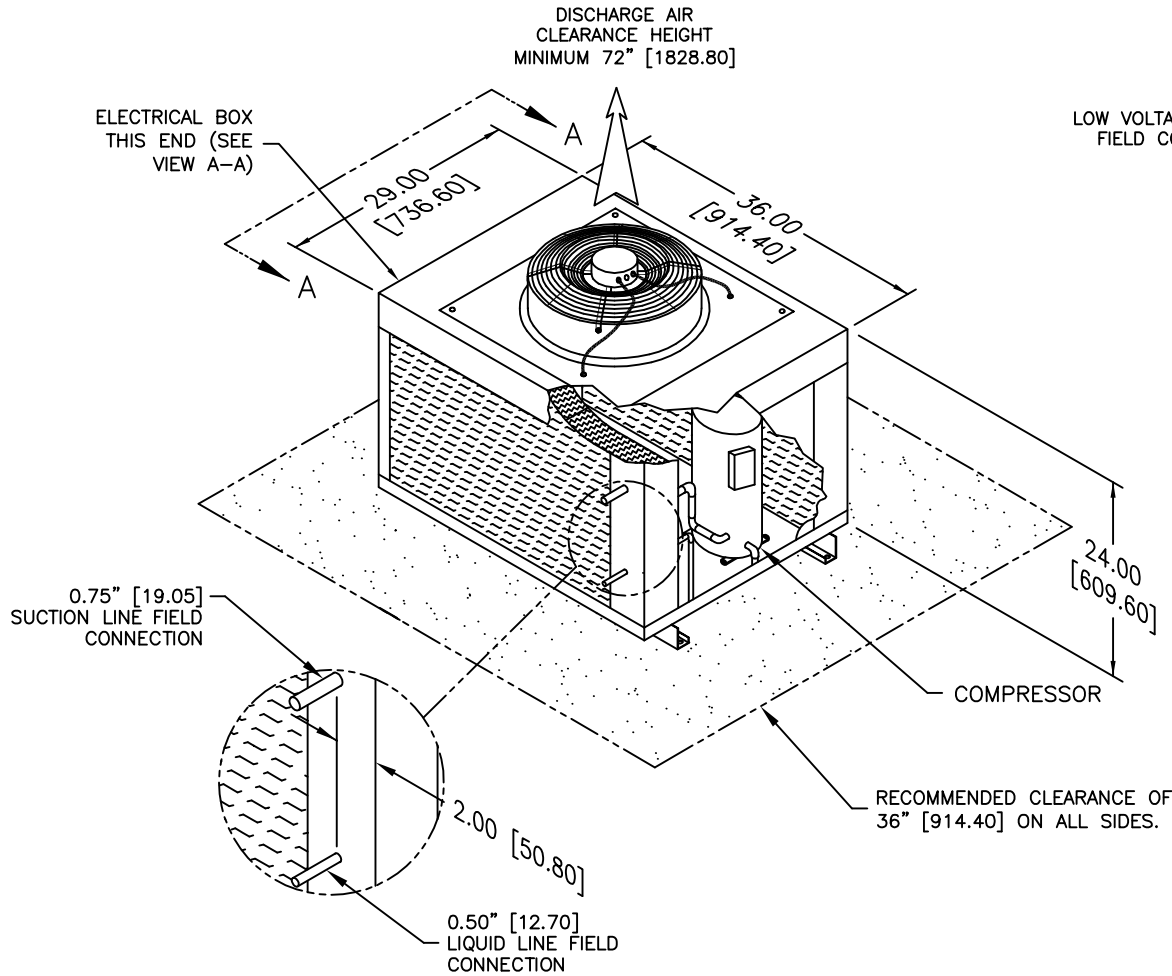


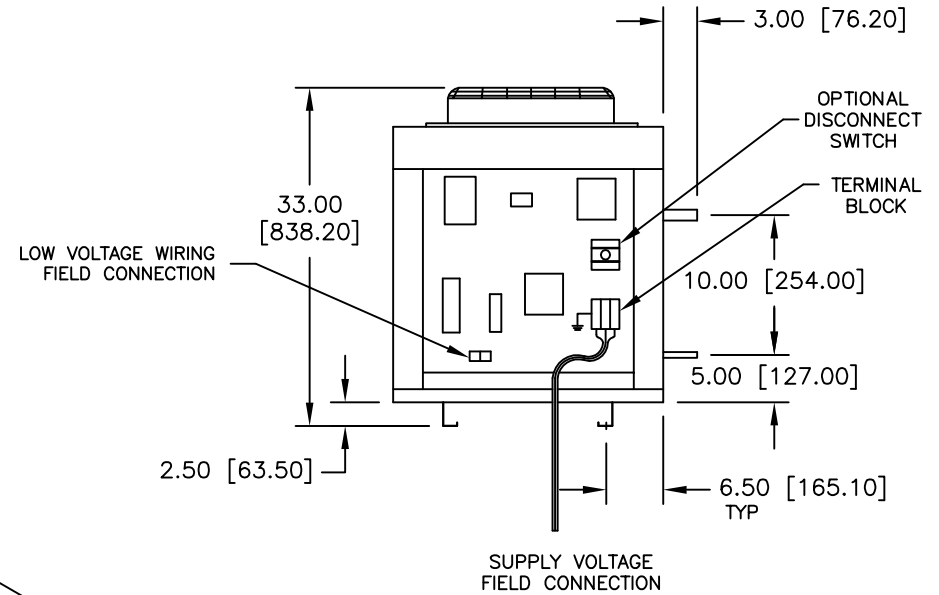
**NOTES:**

1. CONNECTION SIZES ARE NOT NECESSARILY THE RECOMMENDED FIELD PIPING SIZES.
2. EVAPORATOR SECTION NOT SHOWN.
3. ALL UNIT DIMENSIONS ARE IN INCH [mm] FORMAT.

MODEL NO.	OPERATING WEIGHT
GHCU 11	178 LBS
GHCU 18	221 LBS



REVISIONS			
REV	DESCRIPTION	DATE	BY
B	DECREASE HEIGHT 4", PER ECO: 016-14A	03-11-16	JAP



VIEW A-A

GHCU 11 & 18 KW REMOTE COND. UNIT W/ SINGLE 1.5 TO 5 TON - SCROLL COMPRESSOR

**dataaire**

DRAWN BY :	GABE	SCALE: NONE
CHECKED BY :		SH 1 OF 1
DATE :	03-06-2014	REV B

PART OF

**600-001-140**

DWG NO.