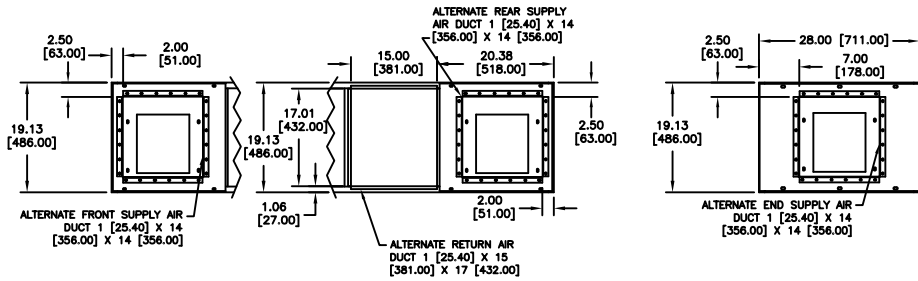
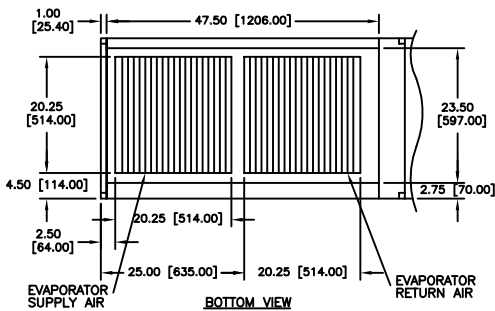


NOTES:

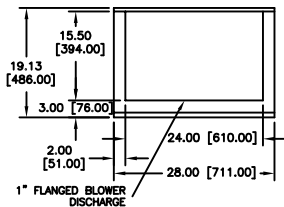
1. ALL UNIT DIMENSIONS ARE IN INCH [mm] FORMAT.



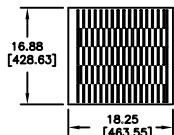
DETAIL -A-
ALTERNATE SUPPLY AIR & RETURN AIR LOCATIONS



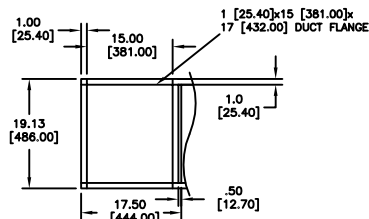
DETAIL -B-
EVAPORATOR SUPPLY & RETURN AIR



DETAIL -C-
CONDENSER DISCHARGE AIR

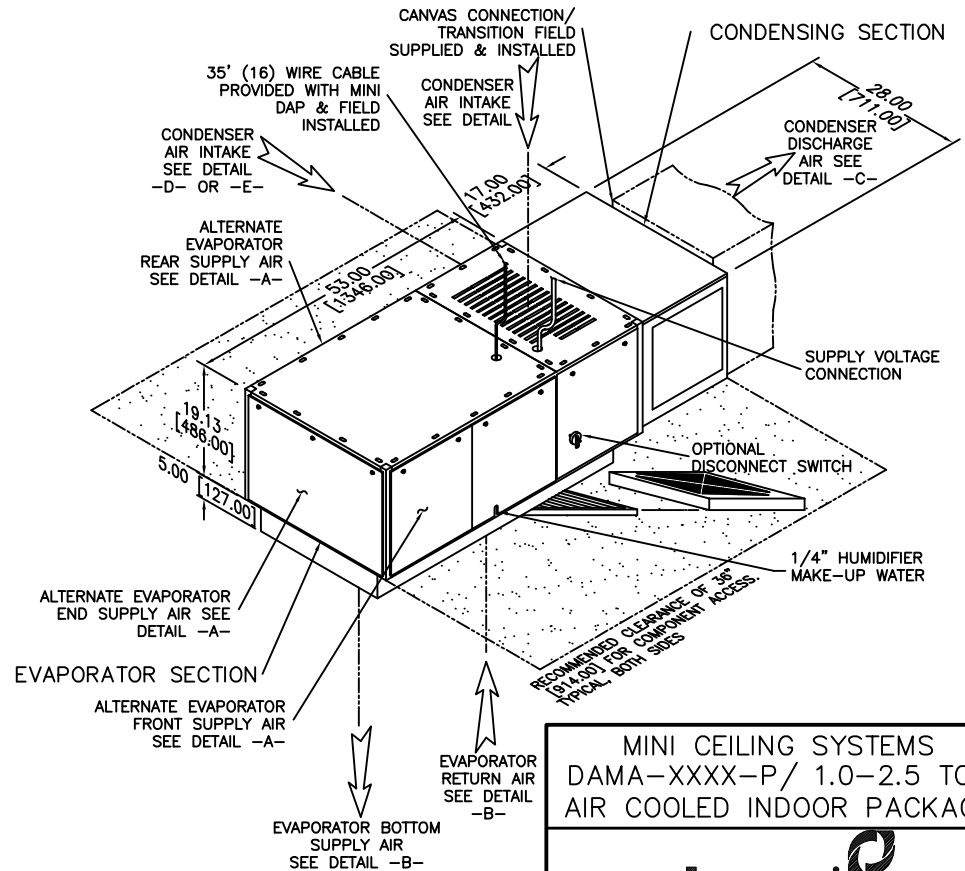


DETAIL -D-
CONDENSER AIR INTAKE SIDE PANEL



DETAIL -E-
OPTIONAL CONDENSER AIR INTAKE DUCT FLANGE SIDE VIEW

REVISIONS				
REV	DESCRIPTION	DATE	BY	CHKBY
C	REMOVED AND CONSOLIDATED DETAIL VIEWS	03-10-16	RRK	SI



MINI CEILING SYSTEMS
DAMA-XXXX-P/ 1.0-2.5 TON
AIR COOLED INDOOR PACKAGE

dataaire

DRAWN BY :	JP	SCALE: NONE
CHECKED BY :		SH 1 OF 1
DATE :	12-28-1998	REV C

—
PART OF

538-900-070
DWG NO.