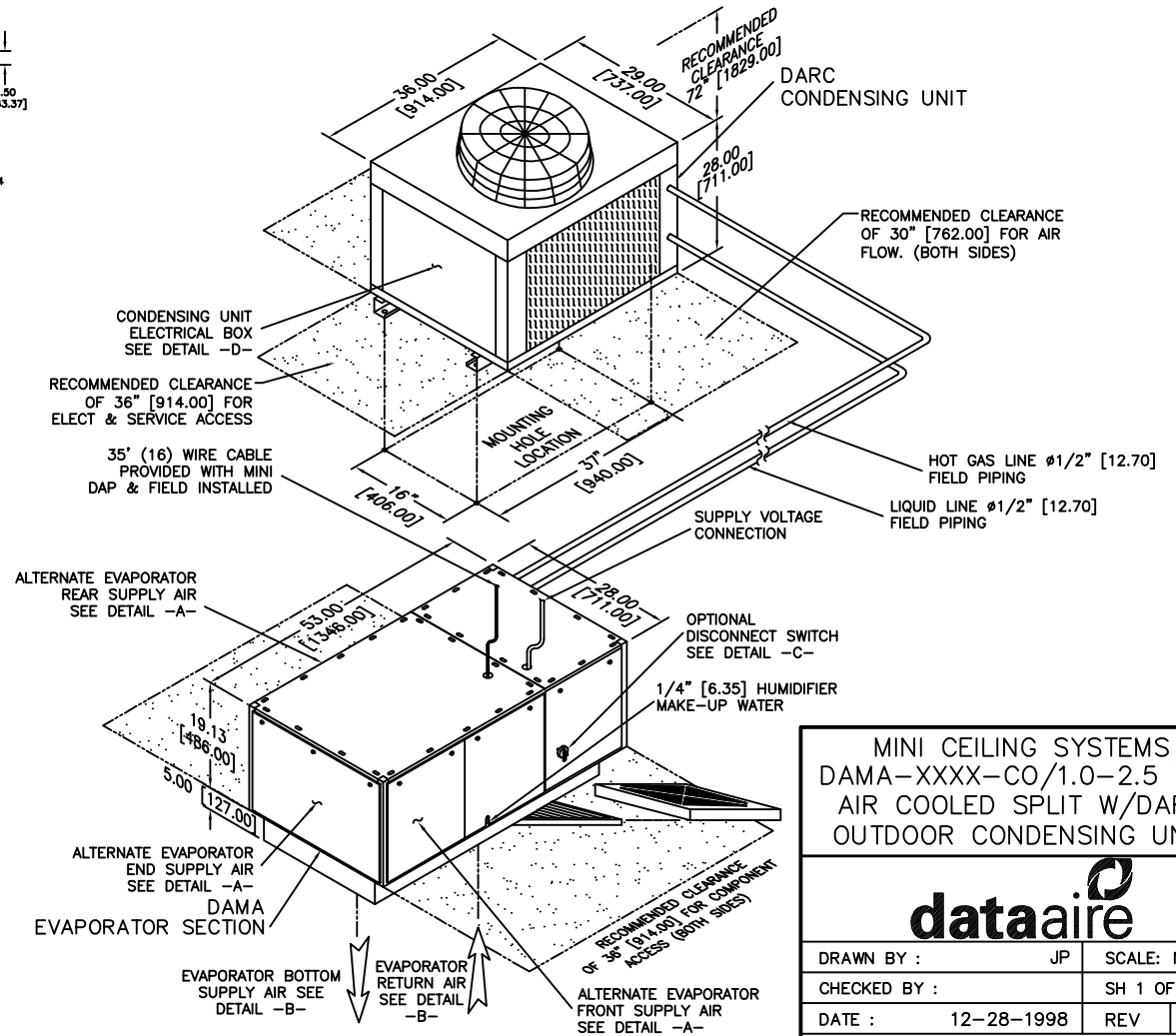
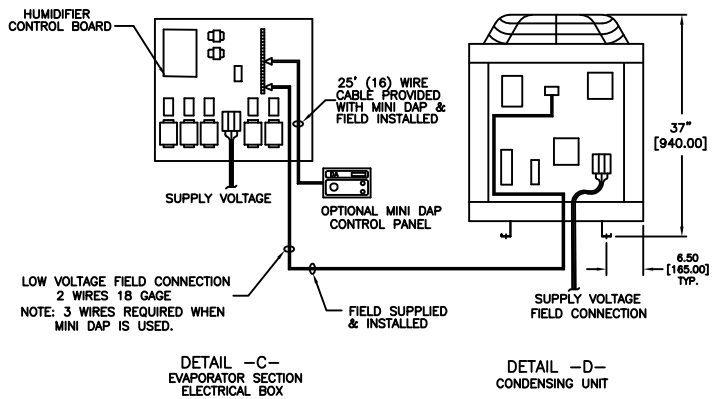
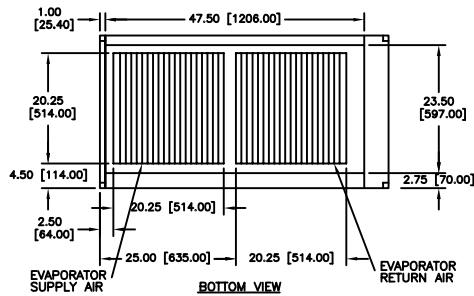
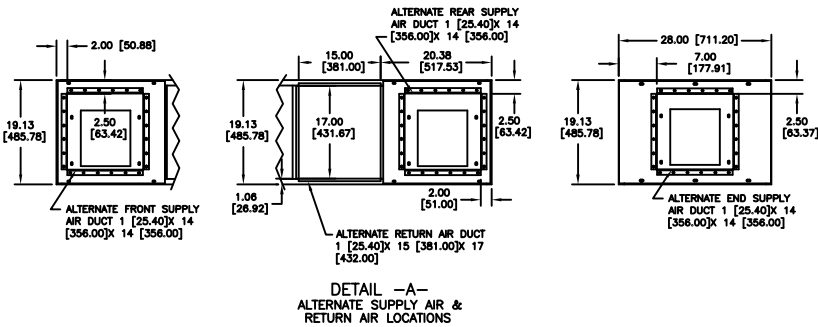


REVISIONS				
REV	DESCRIPTION	DATE	BY	CHKBY
C	REMOVED AND CONSOLIDATED DETAIL VIEWS	03-10-16	RRK	SI



MINI CEILING SYSTEMS
DAMA-XXXX-CO/1.0-2.5 TON
AIR COOLED SPLIT W/DARC
OUTDOOR CONDENSING UNIT

dataaire

DRAWN BY :	JP	SCALE: NONE
CHECKED BY :		SH 1 OF 1
DATE :	12-28-1998	REV C

—
PART OF

538-900-074
DWG NO.