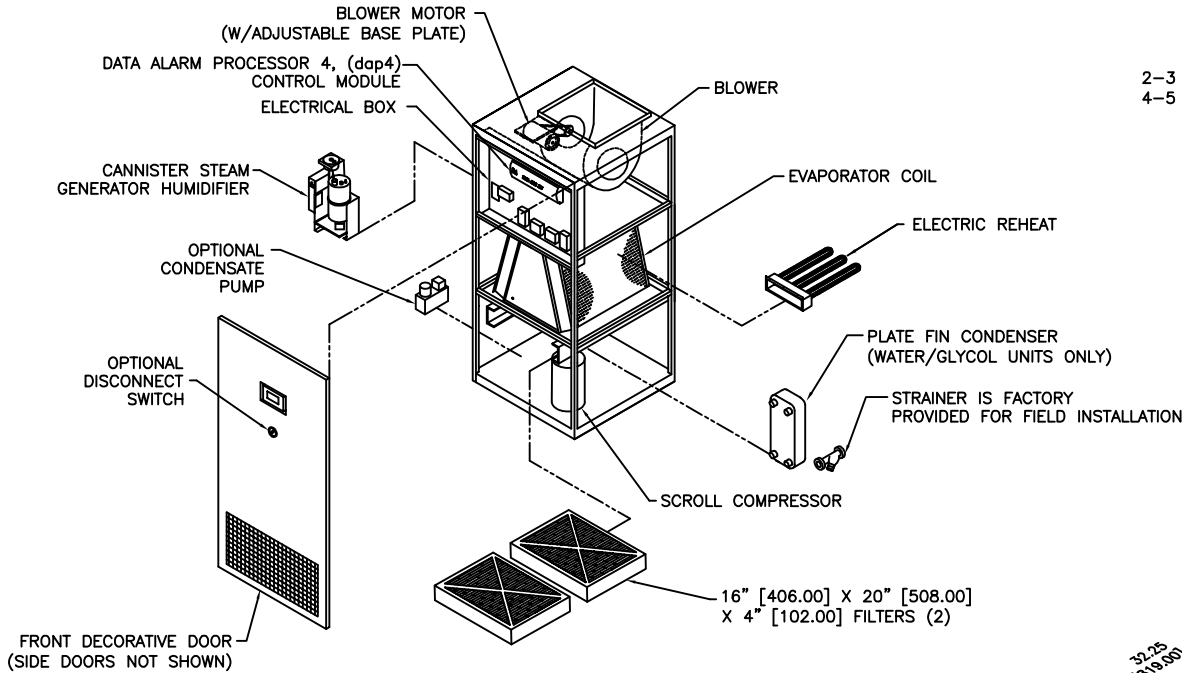


NOTES:

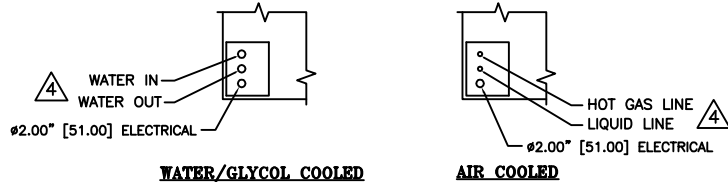
- 1. DIMENSIONS NOTED ARE THE MINIMUM CLEARANCES REQUIRED BY THE FACTORY, CONSULT LOCAL BUILDING CODES AND NEC FOR ADDITIONAL CLEARANCE REQUIREMENTS.
- 2. ALL STANDARD PIPING TERMINATES INSIDE OF CABINET. ALL OPTIONAL PIPING (TOP/SIDE) TERMINATES OUTSIDE OF CABINET.
- 3. NOT ALL COMPONENTS AND OPTIONS ARE SHOWN.
- 4. SEE TABLE FOR CONNECTION PIPE SIZES.
- 5. ALL DIMENSIONS ARE IN INCH [mm] FORMAT.

UNIT (TON)	CONNECTION PIPE SIZE (Ø)			
	2	3	4	5
LIQUID/HOT GAS (AIR COOLED)	1/2 [12.70]	1/2 [12.70]	1/2 [12.70]	1/2 [12.70]
SUPPLY/RETURN (WATER/GLYCOL)	3/4 [19.05]	3/4 [19.05]	1 1/8 [29.00]	1 1/8 [29.00]

REVISIONS			
REV	DESCRIPTION	DATE	BY
P	ADDED ELECT CALLOUT TO PIPING DETAILS	04-19-16	RRK



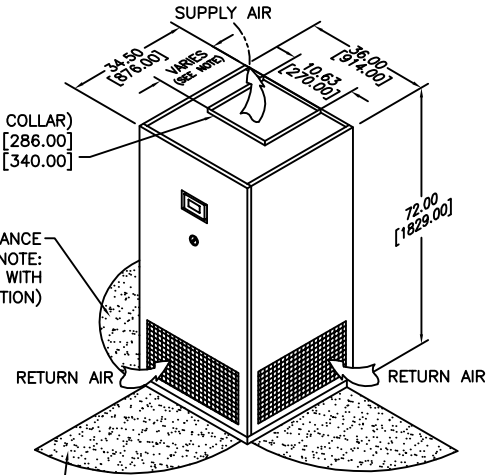
COMPONENT BREAKDOWN



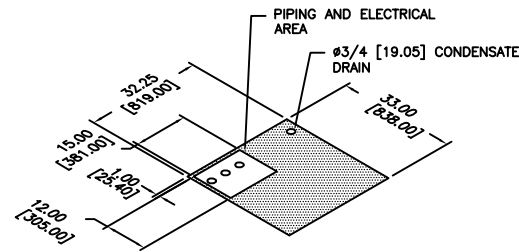
STANDARD PIPING LOCATIONS

DUCT FLANGE (WITH 1\"/>

DOOR SWING CLEARANCE ON SIDE DOORS (NOTE: NOT REQUIRED WITH LIFTOFF HINGE OPTION)



DIMENSIONAL DATA



PANEL LAYOUT DIMENSIONS

2-5 TON DX
UPFLOW DATA TEMP
WITH A-TYPE COIL



DRAWN BY :	G. SALDIVAR	SCALE: NONE
CHECKED BY :		SH 1 OF 1
DATE :	11-02-06	REV P

PART OF

522-900-230
DWG NO.