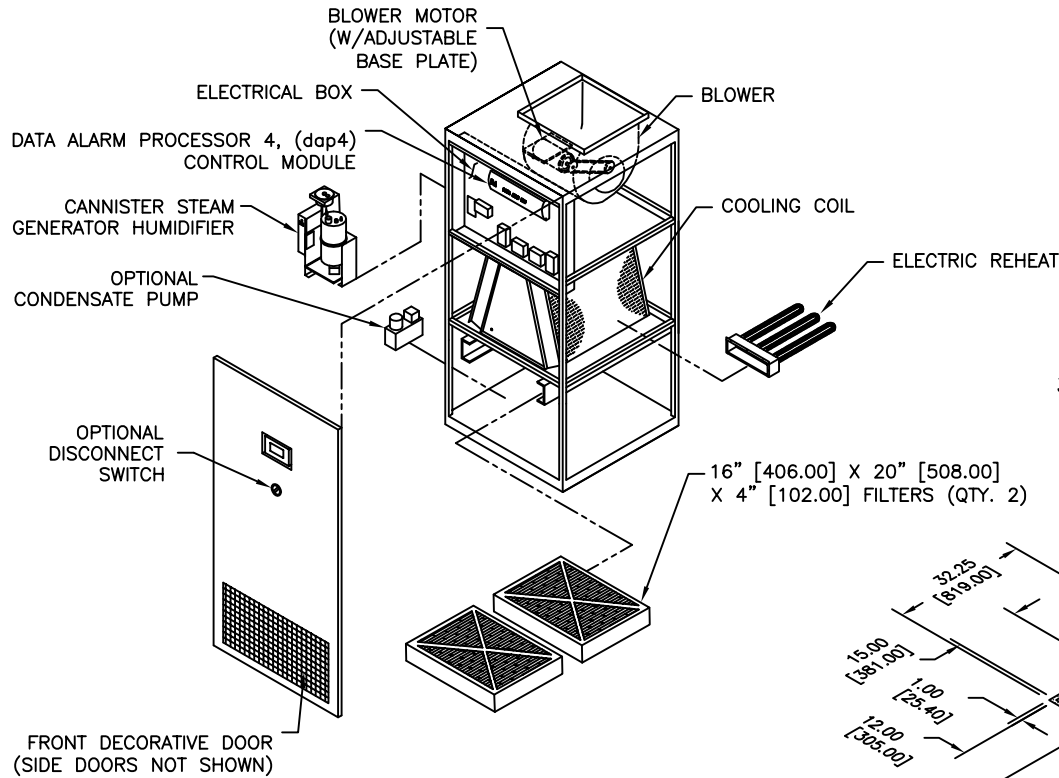


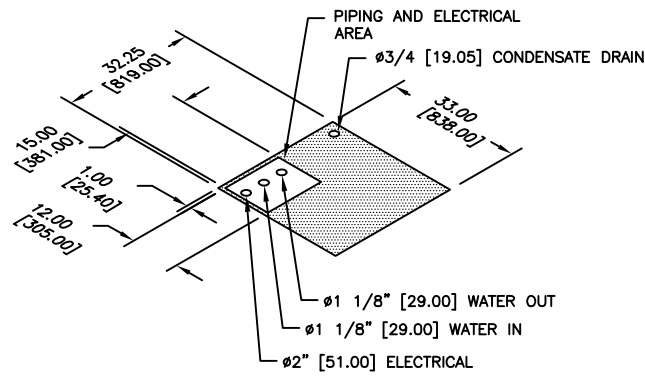
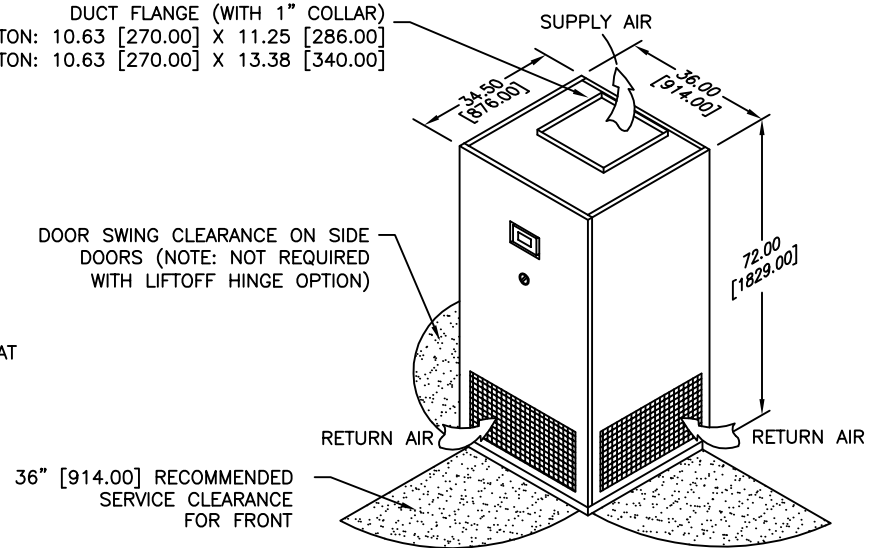
NOTES:

1. DIMENSIONS NOTED ARE THE MINIMUM CLEARANCES REQUIRED BY THE FACTORY, CONSULT LOCAL BUILDING CODES AND NEC FOR ADDITIONAL CLEARANCE REQUIREMENTS.
2. ALL STANDARD PIPING TERMINATES INSIDE OF CABINET. ALL OPTIONAL PIPING (TOP/SIDE) TERMINATES OUTSIDE OF CABINET.
3. NOT ALL COMPONENTS AND OPTIONS ARE SHOWN.
4. ALL DIMENSIONS ARE IN INCH [mm] FORMAT.

REVISIONS			
REV	DESCRIPTION	DATE	BY
J	UPDATED PIPING DETAILS	02-16-16	RRK



DUCT FLANGE (WITH 1" COLLAR)
 2-3 TON: 10.63 [270.00] X 11.25 [286.00]
 4-5 TON: 10.63 [270.00] X 13.38 [340.00]



2-5 TON
CW UPFLOW DATA TEMP
WITH A-TYPE COIL

dataaire

DRAWN BY :	G. SALDIVAR	SCALE:	NONE
CHECKED BY :		SH	1 OF 1
DATE :	09-21-05	REV	J

PART OF

522-900-231
DWG NO.