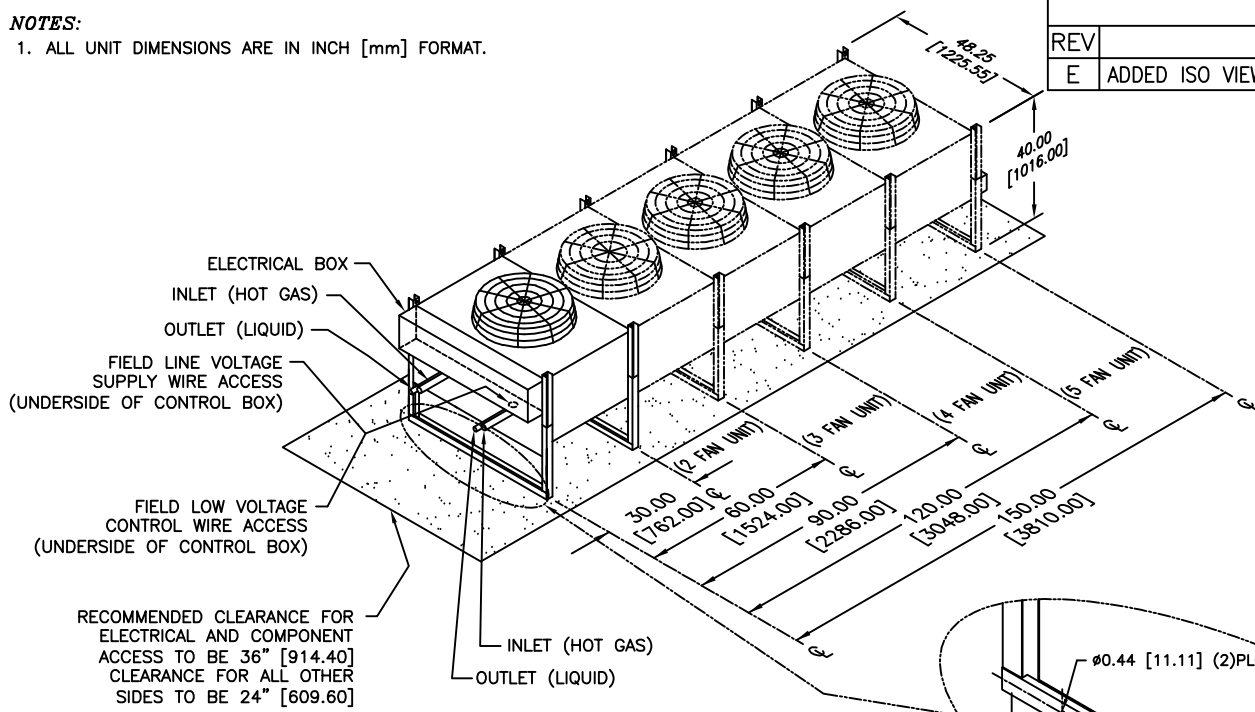
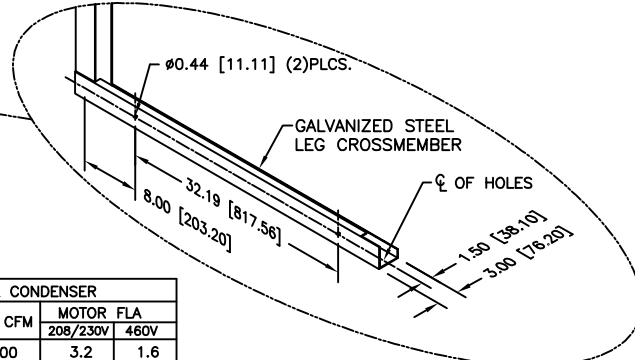


NOTES:

1. ALL UNIT DIMENSIONS ARE IN INCH [mm] FORMAT.



		REVISIONS		
REV	DESCRIPTION	DATE	BY	FROM
E	ADDED ISO VIEW TO SHOW THE EXTENSION	03-20-20	EB	BM



TYP MOUNTING HOLE PATTERN PER LEG

MODEL NUMBER	LENGTH	UNIT NET WT. #	PIPE CONNECTION SIZES (COPPER STUB.Ø)		QTY. MOTORS
			HOT GAS	LIQUID	
DARC 07	33" [838.20]	195	1-1/8	7/8	1
DARC 09	33" [838.20]	201	1-1/8	7/8	1
DARC 11	63" [1600.20]	249	1-1/8	7/8	2
DARC 15	63" [1600.20]	234	1-1/8	7/8	2
DARC 17	63" [1600.20]	218	1-1/8	7/8	2
DARC 21	93" [2362.20]	377	1-3/8	7/8	3
DARC 24	93" [2362.20]	444	1-3/8	7/8	3
DARC 28	93" [2362.20]	388	1-3/8	7/8	3
DARC 30	123" [3124.20]	513	1-3/8	7/8	4
DARC 37	123" [3124.20]	700	1-5/8	1-1/8	4
DARC 40	123" [3124.20]	920	1-5/8	1-1/8	4
DARC 44	153" [3886.20]	1270	1-5/8	1-1/8	5
DARC 50	153" [3886.20]	1350	1-5/8	1-1/8	5

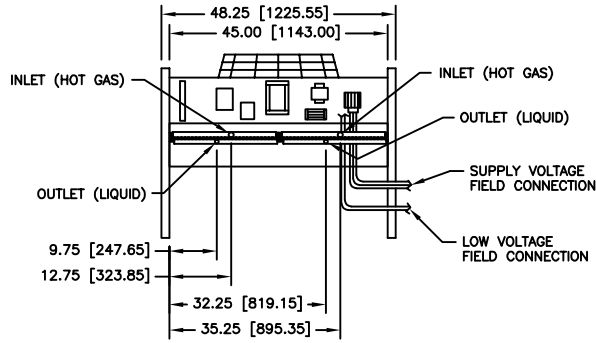
STANDARD CONDENSER					LOW DECIBEL CONDENSER				
H.P.	RPM	TOTAL CFM	MOTOR FLA		H.P.	RPM	TOTAL CFM	MOTOR FLA	
			208/230V	460V				208/230V	460V
3/4	1075	4900	4.6	2.3	1/2	850	3900	3.2	1.6
3/4	1075	4800	4.6	2.3	1/2	850	3800	3.2	1.6
3/4	1075	10400	9.2	4.6	1/2	850	8300	6.4	3.2
3/4	1075	10000	9.2	4.6	1/2	850	8000	6.4	3.2
3/4	1075	9800	9.2	4.6	1/2	850	7800	6.4	3.2
3/4	1075	15000	13.8	6.9	1/2	850	12000	9.6	4.8
3/4	1075	14750	13.8	6.9	1/2	850	11800	9.6	4.8
3/4	1075	14500	13.8	6.9	1/2	850	11600	9.6	4.8
3/4	1075	20000	18.4	9.2	1/2	850	16000	12.8	6.4
3/4	1075	19500	18.4	9.2	1/2	850	15600	12.8	6.4
3/4	1075	19000	18.4	9.2	1/2	850	15200	12.8	6.4
3/4	1075	24500	23.0	11.5	1/2	850	19600	16.0	8.0
3/4	1075	24000	23.0	11.5	1/2	850	19200	16.0	8.0

DARC 07-50 TON
DOUBLE CIRCUIT
CONDENSERS

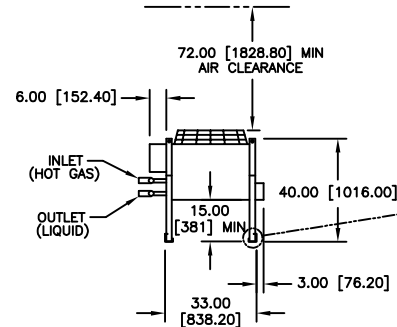
dataaire

DRAWN BY :	J. PERKINS	SCALE:	NONE
CHECKED BY :	G. MAGAÑA	SH	1 OF 3
DATE :	07-23-2013	REV	E

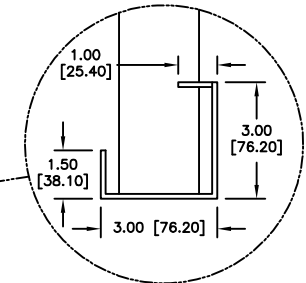
PART OF
529-900-102
DWG NO.



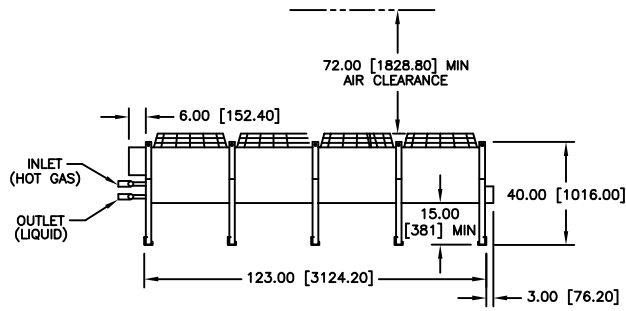
DUAL CIRCUIT CONNECTION LOCATION



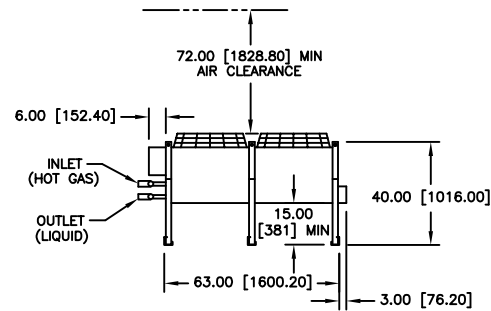
1 FAN UNIT, MODEL 6 THRU 9



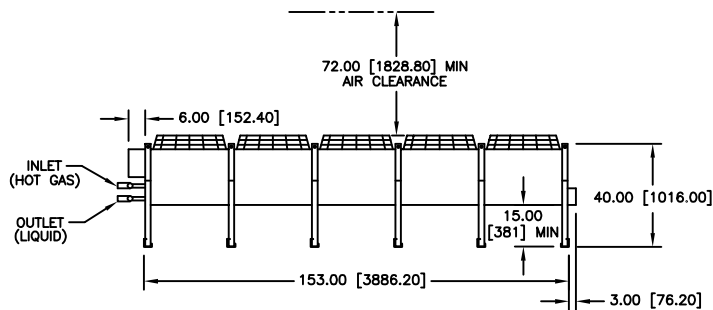
LEG CROSSMEMBER DETAIL



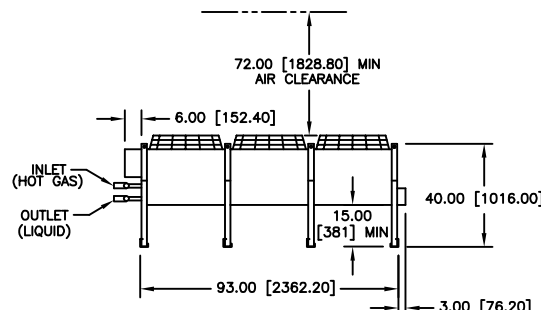
4 FAN UNIT, MODEL 30 THRU 40



2 FAN UNIT, MODEL 11 THRU 17

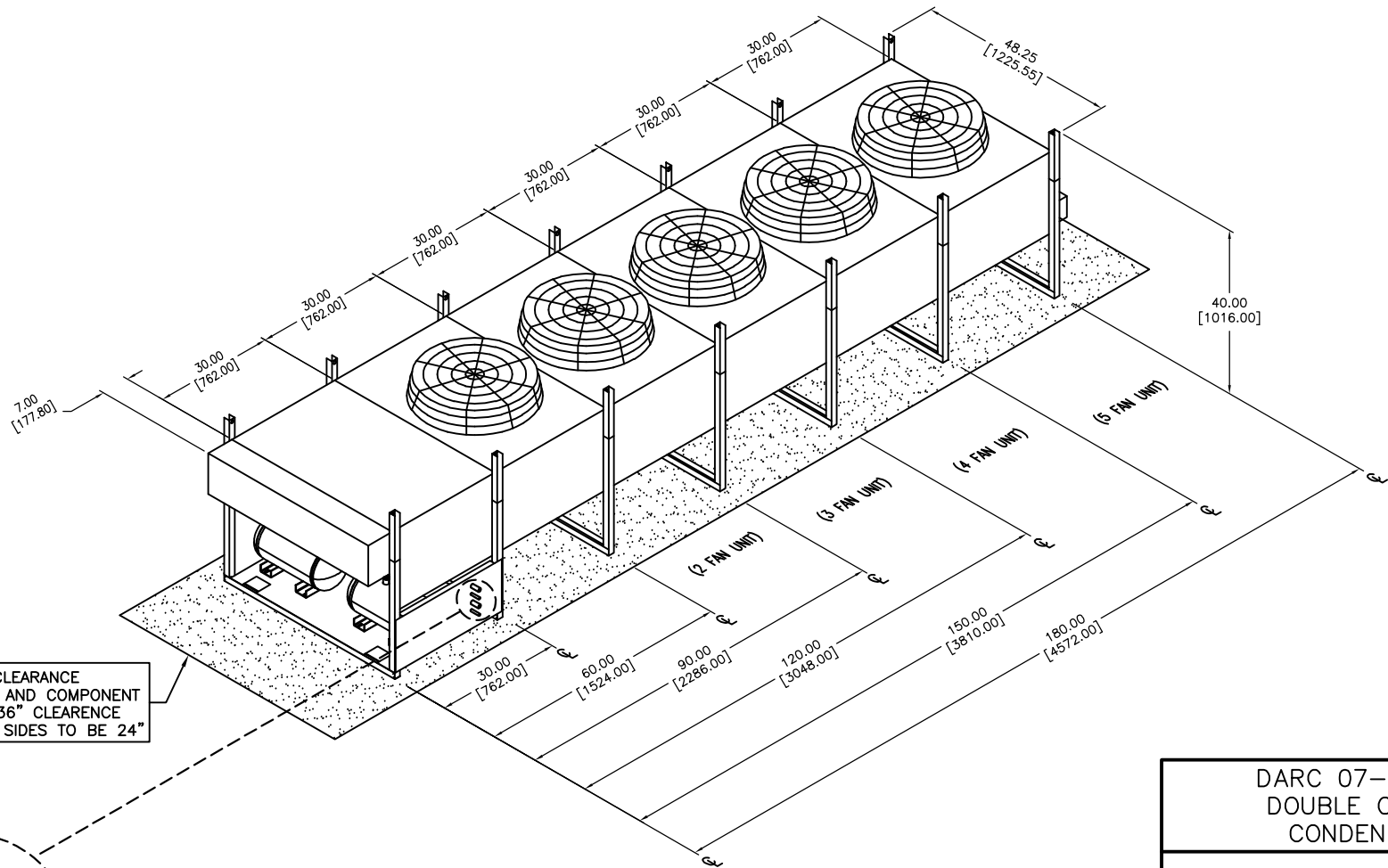


5 FAN UNIT, MODEL 44 THRU 50

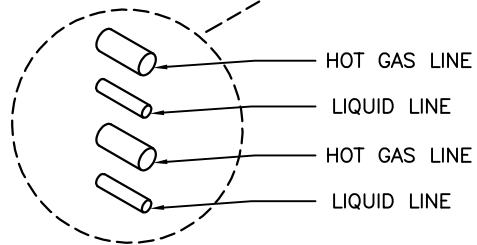


3 FAN UNIT, MODEL 21 THRU 28

DARC 07-50 TON DOUBLE CIRCUIT CONDENSERS			
dataaire			
DRAWN BY : J. PERKINS		SCALE: NONE	
CHECKED BY : G. MAGAÑA		SH 2 OF 3	
DATE : 07-23-2013	REV	E	
PART OF			
529-900-102			
DWG NO.			



RECOMMENDED CLEARANCE
FOR ELECTRICAL AND COMPONENT
ACCESS TO BE 36" CLEARANCE
FOR ALL OTHER SIDES TO BE 24"



PIPING DETAIL

CONDENSER WITH UNIT MOUNT LOW AMBIENT RECEIVERS

DARC 07-50 TON
DOUBLE CIRCUIT
CONDENSERS



DRAWN BY :	J. PERKINS	SCALE:	NONE
CHECKED BY :	G. MAGAÑA	SH	3 OF 3
DATE :	07-23-2013	REV	E

PART OF

529-900-102
DWG NO.