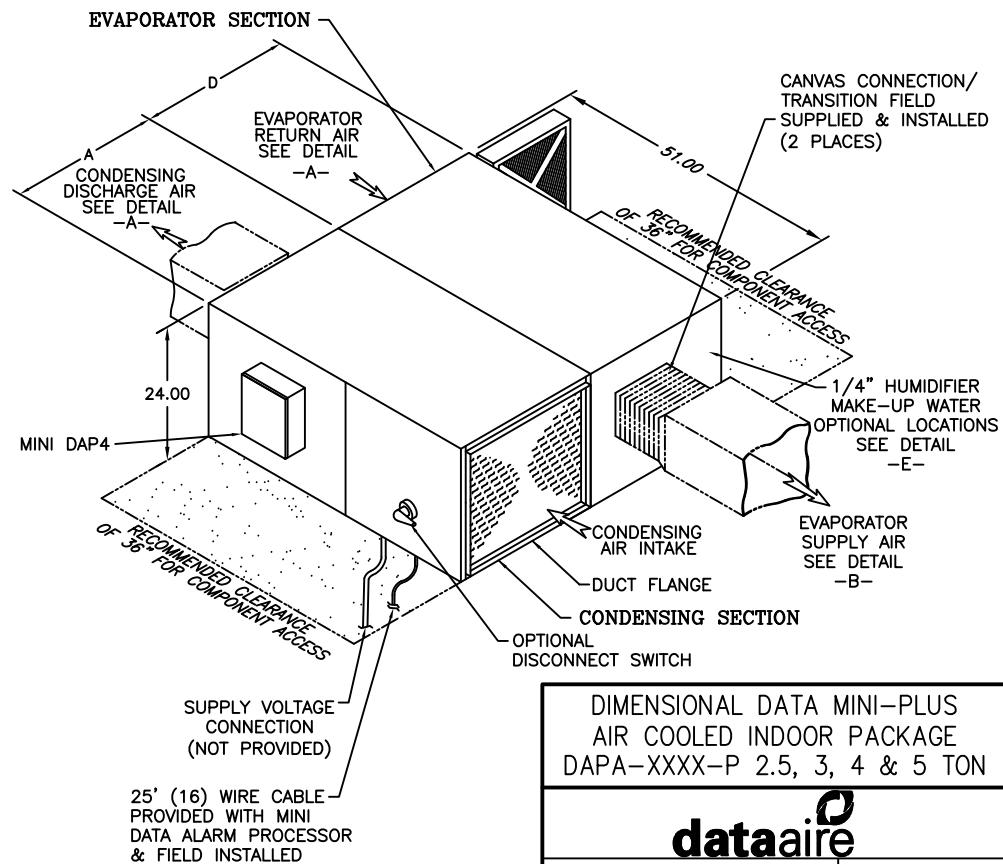


REVISIONS			
REV	DESCRIPTION	DATE	BY
N	REVISED AND REDRAWN	04-26-18	MTC

UNIT SIZE	A	B	C	D	E	F
2 1/2 & 3 TON	22.50	3.25	8.16	26.50	24.75	20.75
4 & 5 TON	32.00	9.72	11.73	36.00	34.25	30.25



**DIMENSIONAL DATA MINI-PLUS
AIR COOLED INDOOR PACKAGE
DAPA-XXXX-P 2.5, 3, 4 & 5 TON**

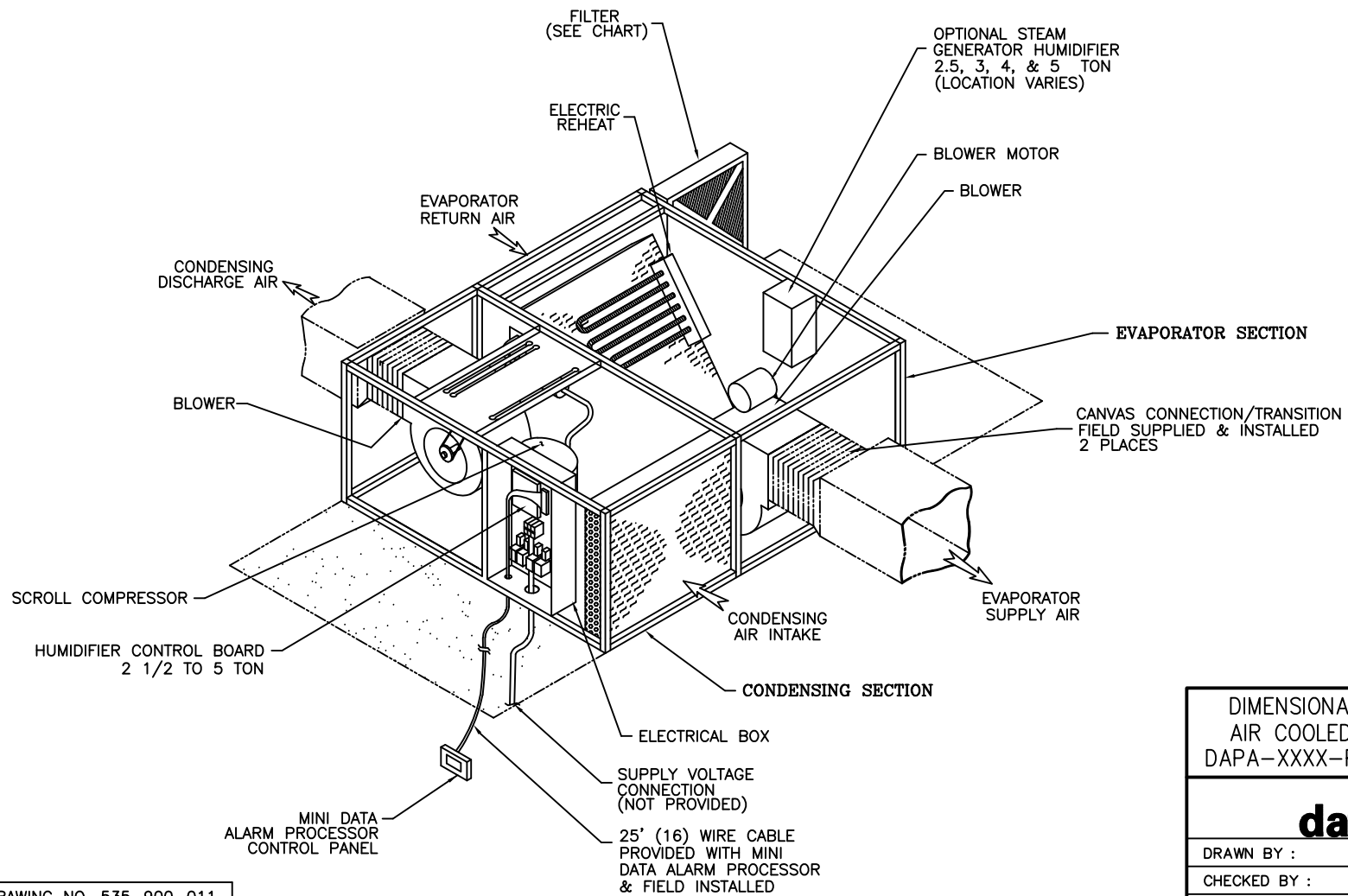
dataaire

DRAWN BY : GABE SCALE: NONE
 CHECKED BY : SH 1 OF 2
 DATE : 05-27-2009 REV N

PART OF

535-900-001
DWG NO.

NOTE: SEE DRAWING NO. 535-900-011 FOR INSTALLATION AND HARDWARE.
 ALL DIMENSIONS ARE ± .25 INCHES



NOTE: Δ SEE DRAWING NO. 535-900-011 FOR INSTALLATION AND HARDWARE.

UNIT SIZE	FILTER SIZE
2 1/2 & 3 TON	(1) 20"X25"X2"
4 & 5 TON	(1) 16"X20"X2", (1) 20"X20"X2"

DIMENSIONAL DATA MINI-PLUS
 AIR COOLED INDOOR PACKAGE
 DAPA-XXXX-P 2.5, 3, 4 & 5 TON

dataaire

DRAWN BY : GABE	SCALE: NONE
CHECKED BY :	SH 2 OF 2
DATE : 05-27-2009	REV N

PART OF

535-900-001

DWG NO.