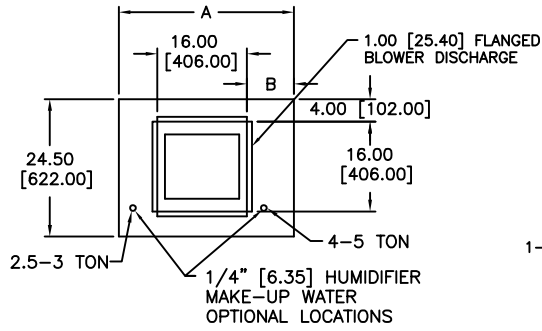


NOTE:

- △ SEE DRAWING NO. 535-900-012 FOR INSTALLATION AND HARDWARE.
- △ ALL UNIT DIMENSIONS ARE IN INCH [mm] FORMAT.

REVISIONS				
REV	DESCRIPTION	DATE	BY	CHKBY
K	REMOVED CONDENSATE PUMP DRAIN LINE	02-16-18	MTC	RV

UNIT SIZE	A		B		C	
2 1/2 & 3 TON	31.25	[794.00]	7.63	[194.00]	29.50	[749.00]
4 & 5 TON	40.00	[1016.00]	12.88	[327.00]	38.25	[972.00]

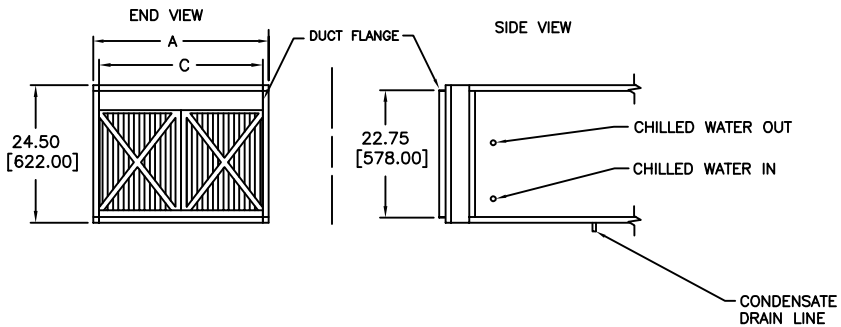
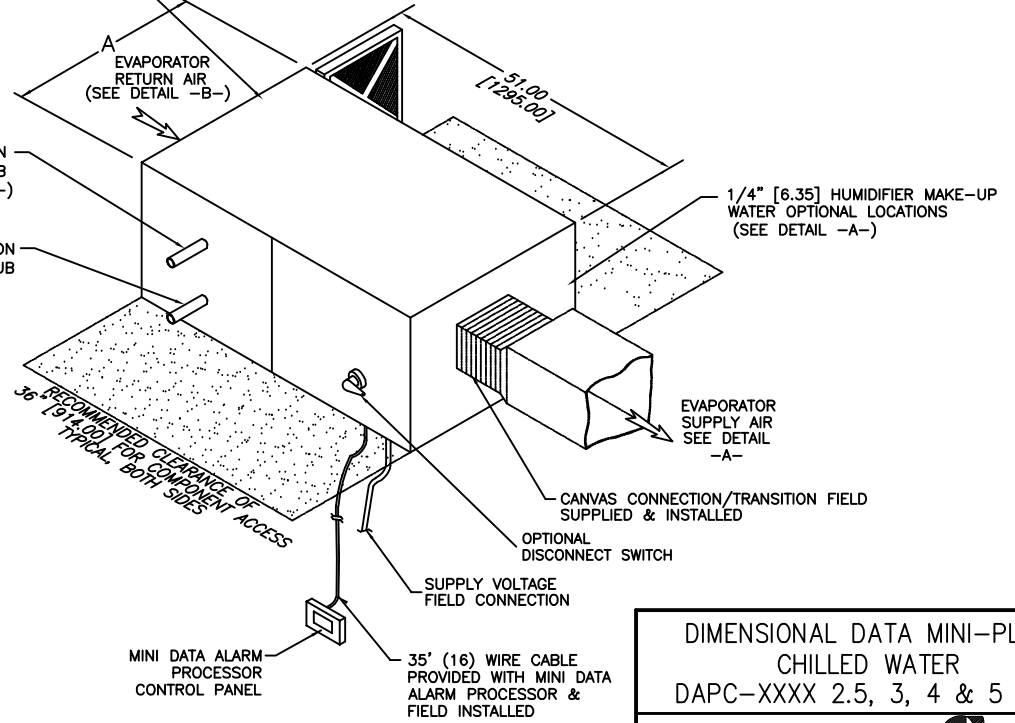


DETAIL -A-  
EVAPORATOR SUPPLY AIR

EVAPORATOR SECTION

CHILLED WATER OUT CONNECTION  
1-1/8" [29.00] O.D. COPPER STUB  
(SEE DETAIL -B-)

CHILLED WATER IN CONNECTION  
1-1/8" [29.00] O.D. COPPER STUB  
(SEE DETAIL -B-)



DETAIL -B-  
EVAPORATOR RETURN AIR

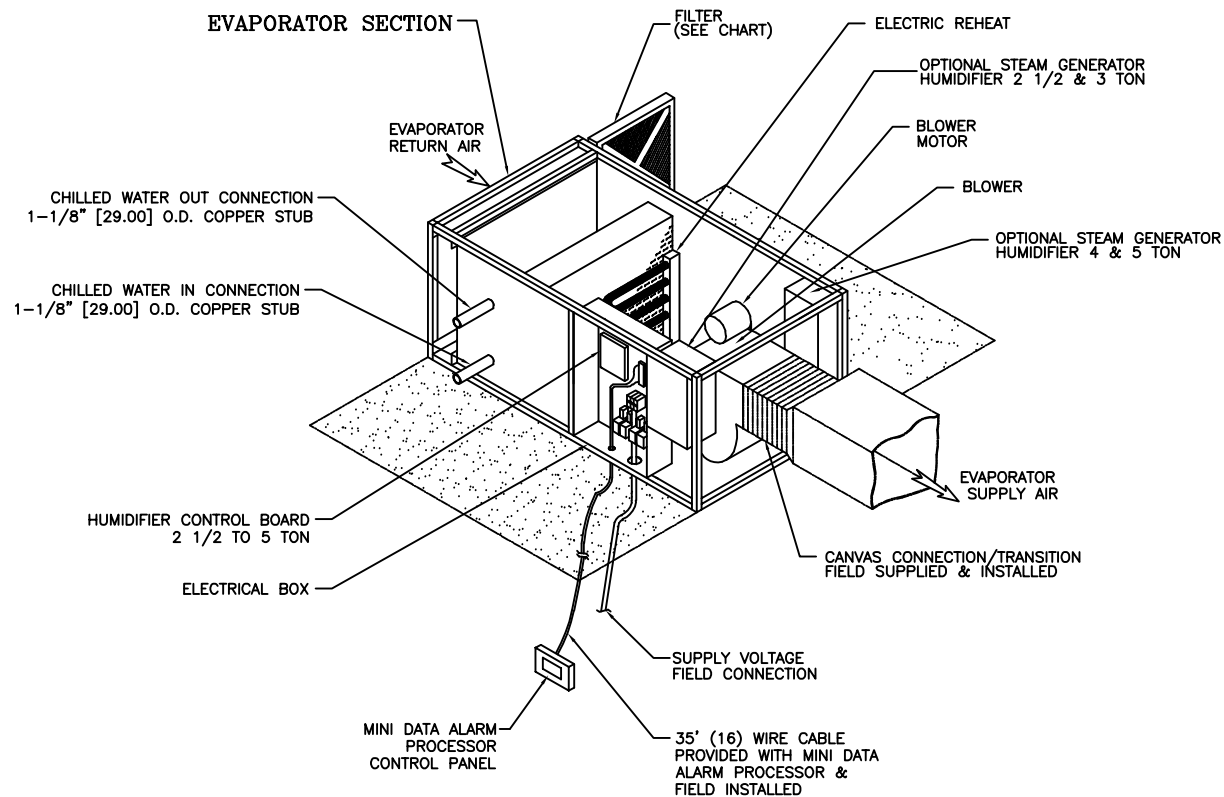
DIMENSIONAL DATA MINI-PLUS  
CHILLED WATER  
DAPC-XXXX 2.5, 3, 4 & 5 TON

**dataaire**

DRAWN BY :	J. PIZZO	SCALE:	NONE
CHECKED BY :		SH	1 OF 2
DATE :	09-02-1999	REV	K

PART OF

**535-900-007**  
DWG NO.



UNIT SIZE	FILTER SIZE
2 1/2 & 3 TON	(2) 16" [406.00] X 20" [508.00] X 2" [51.00]
4 & 5 TON	(2) 20" [508.00] X 20" [508.00] X 2" [51.00]

DIMENSIONAL DATA MINI-PLUS CHILLED WATER DAPC-XXXX 2.5, 3, 4 & 5 TON			
DRAWN BY :	J. PIZZO	SCALE: NONE	
CHECKED BY :		SH 2 OF 2	
DATE :	09-02-1999	REV	K
PART OF			
<b>535-900-007</b>			
DWG NO.			