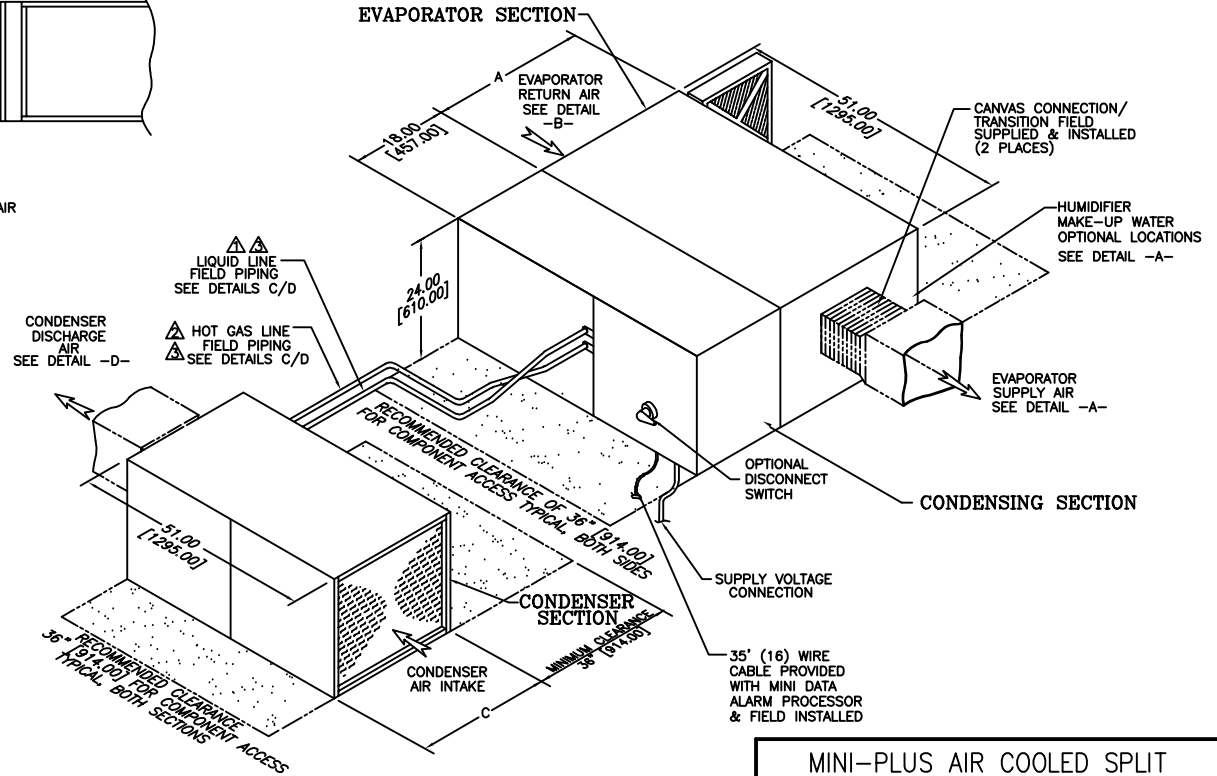
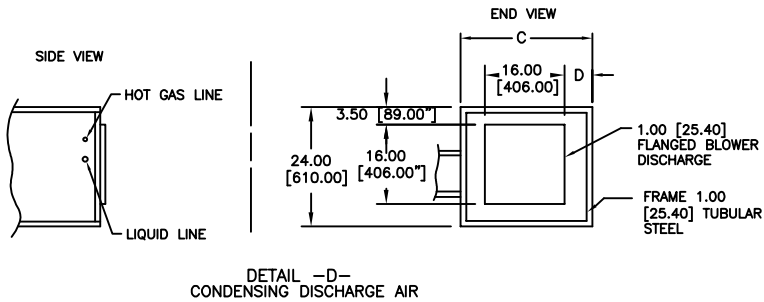
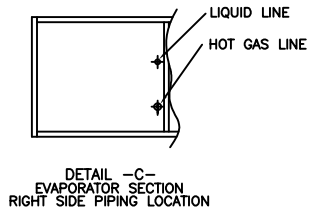
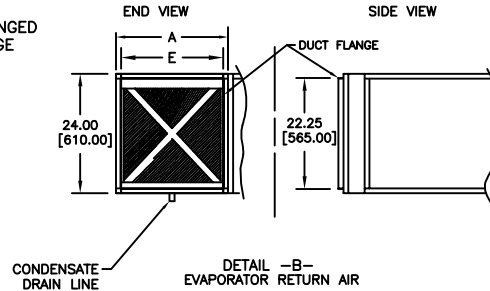
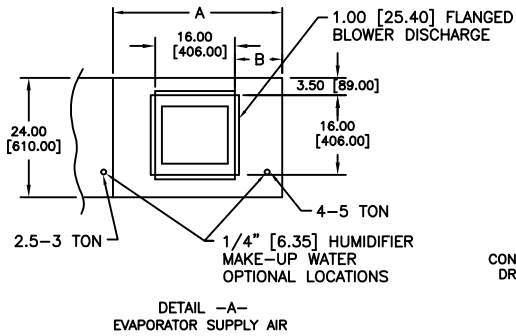


REVISIONS

REV	DESCRIPTION	DATE	BY	FROM
K	REMOVED CONDENSATE PUMP DRAIN LINE	02-15-18	MTC	RV



- NOTES:
- ▲ UNIT LIQUID LINE CONNECTION SIZE IS 1/2" [12.70] FOR BOTH SECTIONS.
 - ▲ UNIT DISCHARGE LINE CONNECTION SIZE IS 1/2" [12.70] FOR BOTH SECTIONS.
 - ▲ THESE CONNECTION SIZES ARE NOT NECESSARILY THE RECOMMENDED FIELD PIPING SIZES.
 - ▲ SEE DRAWING NO. 535-900-012 AND 535-900-013 FOR INSTALLATION AND HARDWARE.
 - ▲ ALL UNIT DIMENSIONS ARE IN INCH [mm] FORMAT.

UNIT SIZE	A	B	C	D	E
2 1/2 & 3 TON	26.50 [673.00]	7.25 [184.00]	22.50 [572.00]	3.25 [83.00]	24.63 [625.00]
4 & 5 TON	36.00 [914.00]	13.50 [343.00]	32.00 [813.00]	9.50 [241.00]	34.25 [870.00]

MINI-PLUS AIR COOLED SPLIT
WITH INDOOR CONDENSER
DAPA-XXXX-CI 2.5, 3, 4 & 5 TON

dataaire

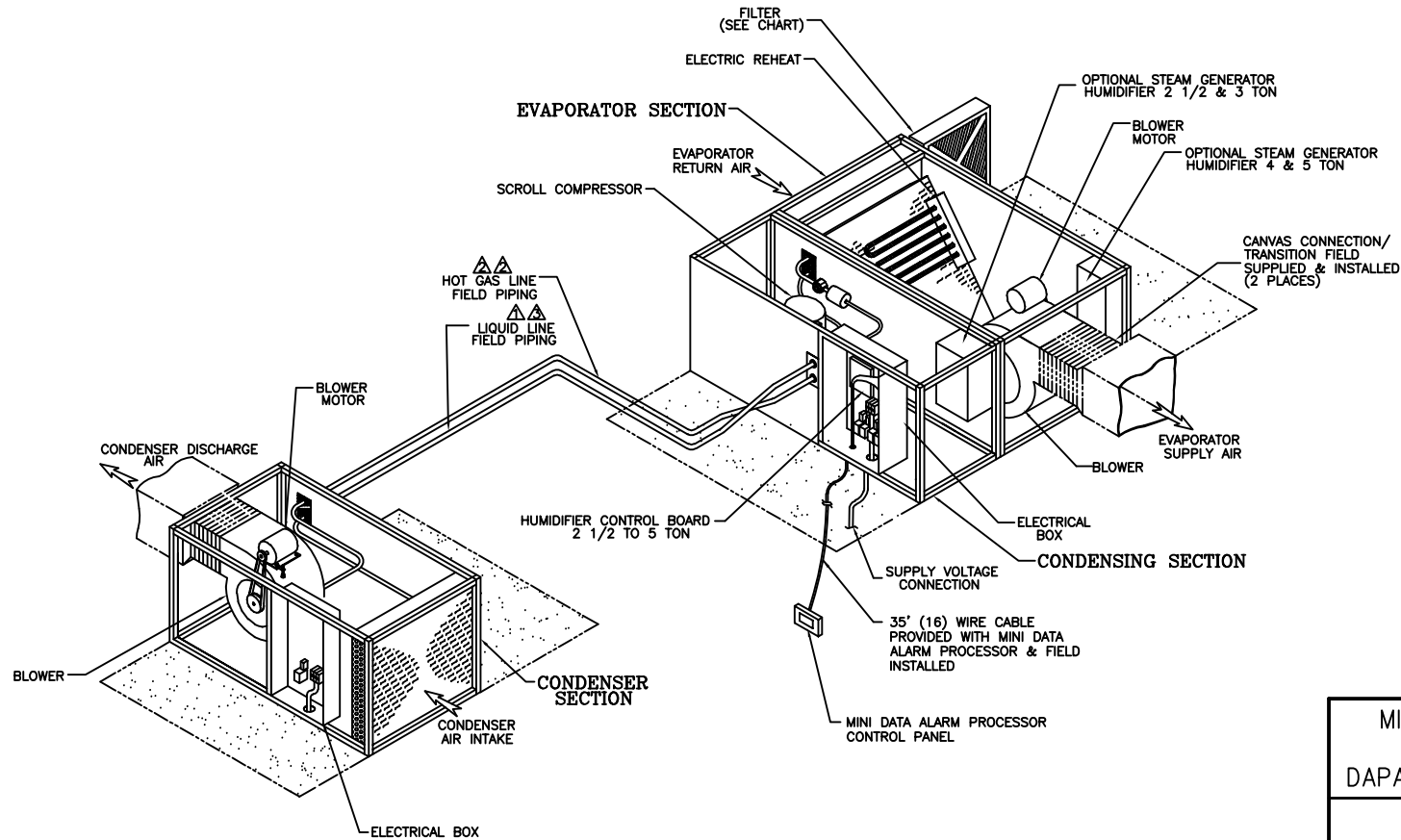
DRAWN BY : J. PIZZO SCALE: NONE

CHECKED BY : SH 1 OF 2

DATE : 05-28-1998 REV K

PART OF

535-900-008
DWG NO.



UNIT SIZE	FILTER SIZE						
2 1/2 & 3 TON	(1)	20"	508.00	X 25"	635.00	X 2"	51.00
4 & 5 TON	(1)	16"	406.00	X 20"	508.00	X 2"	51.00
	(1)	20"	508.00	X 20"	508.00	X 2"	51.00

MINI-PLUS AIR COOLED SPLIT
WITH INDOOR CONDENSER
DAPA-XXXX-CI 2.5, 3, 4 & 5 TON



DRAWN BY :	J. PIZZO	SCALE:	NONE
CHECKED BY :		SH	2 OF 2
DATE :	05-28-1998	REV	K

PART OF
535-900-008
DWG NO.