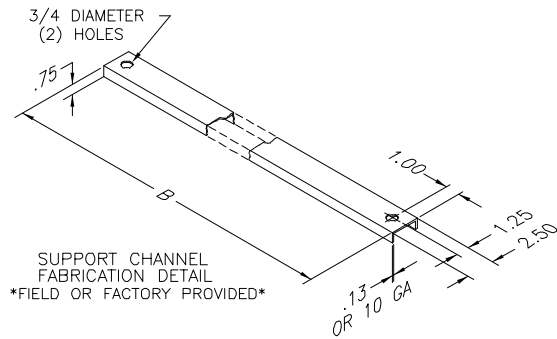
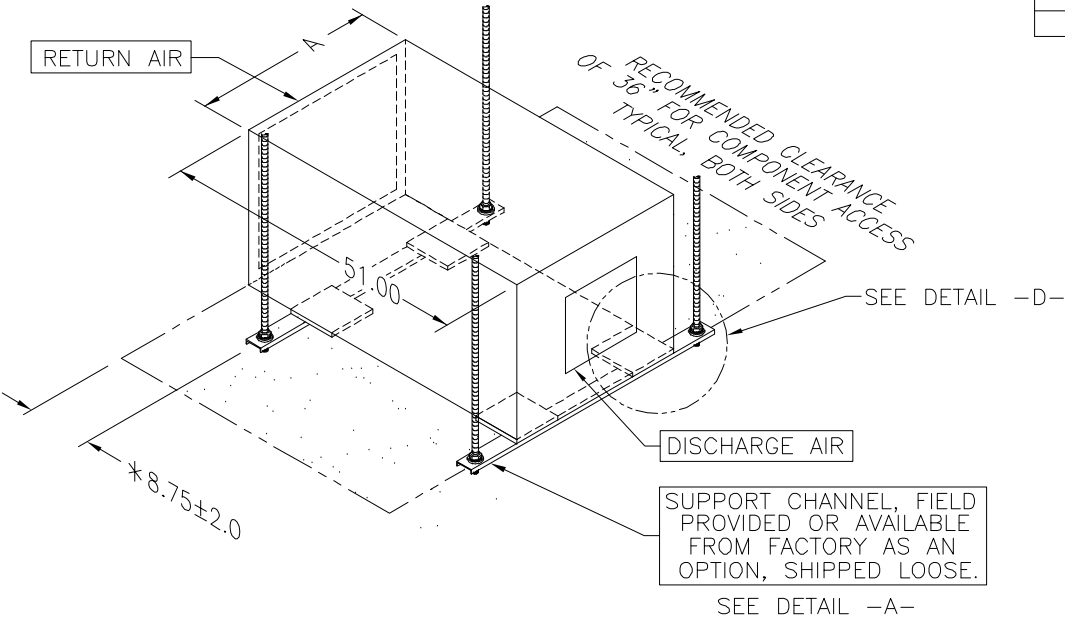
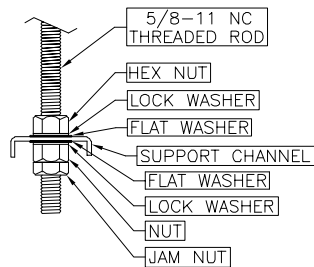


NOTES:

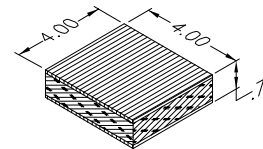
1. UNIT MUST BE LEVEL WHEN INSTALLATION IS COMPLETE.
 2. REFER TO THESE DRAWINGS FOR PIPING, ELECTRICAL AND COMPONENT LOCATION DETAILS:
535-900-002, 535-900-004, 535-900-005,
535-900-007 AND 535-900-008
 3. CONSULT LOCAL BUILDING CODES FOR MOUNTING REQUIREMENTS.
- * ALLOWANCE FOR PIPING CLEARANCE



DETAIL -A-



DETAIL -B-



VIBRATION PAD,
CORK AND RUBBER TYPE.
FIELD OR FACTORY PROVIDED

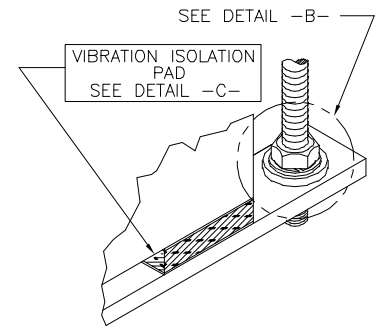
DETAIL -C-

REVISIONS

REV	DESCRIPTION	DATE	BY	FROM
D	ADDED CHILLED WATER FRAME SIZES	04-13-16	RRK	MP

UNIT SIZE	A	B
2 1/2 & 3 TON	26.50	34.50
4 & 5 TON	36.00	44.00

CHILLED WATER UNIT SIZE	A	B
2 1/2 & 3 TON	31.25	39.25
4 & 5 TON	40.00	48.00



DETAIL -D-

MINI-PLUS
TYPICAL MOUNTING FOR
EVAPORATOR SECTION
2 1/2 - 5 TON



DRAWN BY :	KW	SCALE: NONE
CHECKED BY :		SH 1 OF 1
DATE :	04-06-1995	REV D

PART OF

535-900-012
DWG NO.