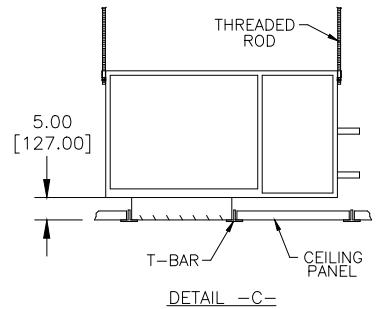
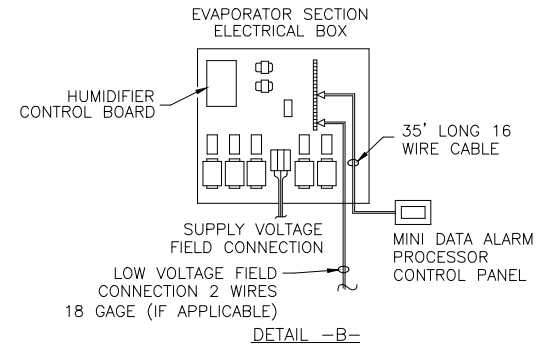
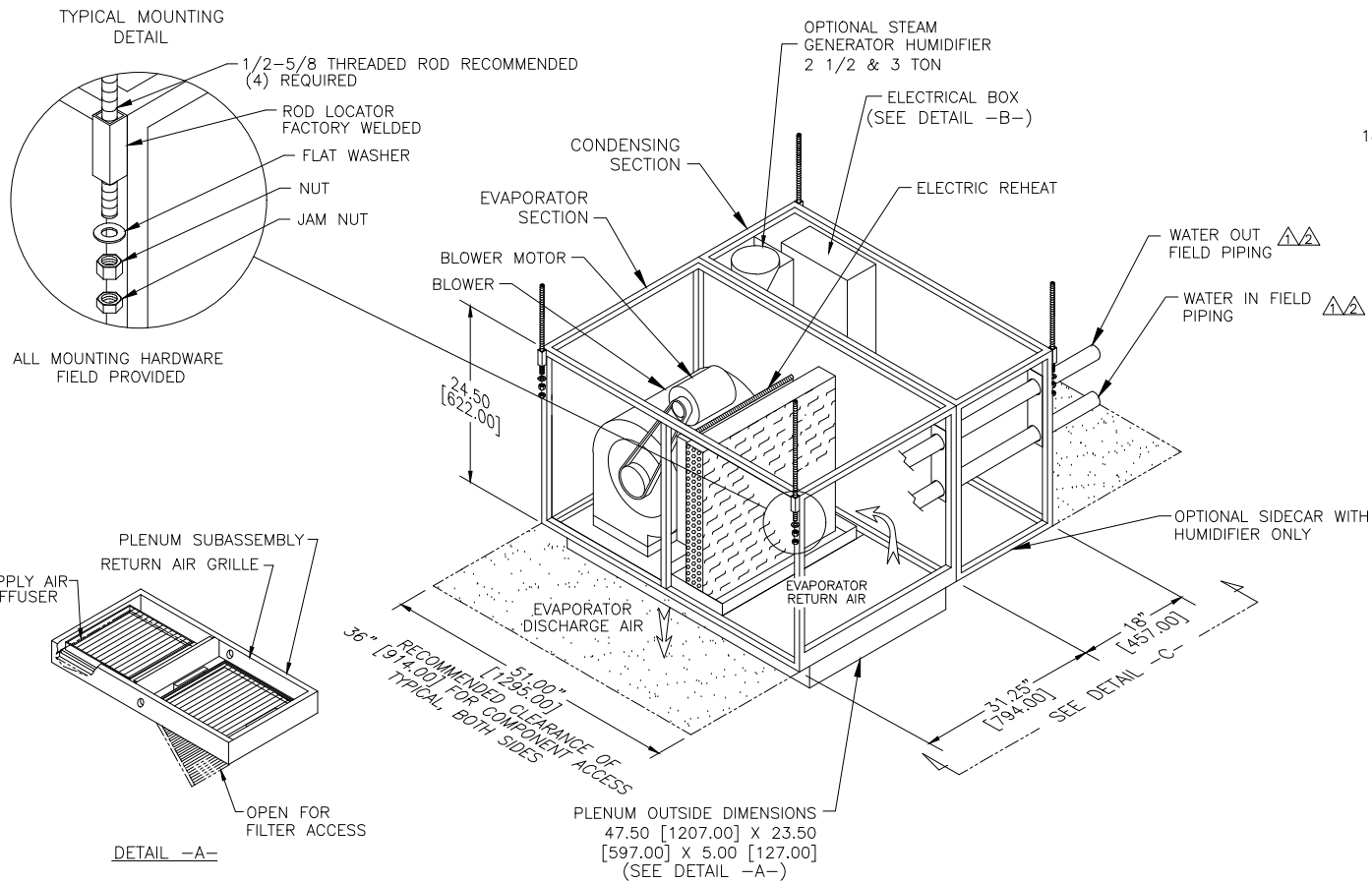


NOTES:

- ⚠ WATER IN/OUT LINE CONNECTION SIZE IS ϕ 1 1/8" [29.00] OD.
- ⚠ THESE CONNECTION SIZES ARE NOT NECESSARILY THE REQUIRED FIELD PIPING SIZES.
- ⚠ POSITIVE DRAIN IS NOW LOCATED ON BOTTOM OF COIL PAN (LOCATION VARIES) AND MUST BE FIELD PIPED TO EXTERNAL DRAIN.
- ⚠ ALL UNIT DIMENSIONS ARE IN INCH [mm] FORMAT.

REVISIONS				
REV	DESCRIPTION	DATE	BY	CHKBY
P	UPDATED TYPICAL MOUNTING DETAIL	07-11-18	MTC	AS



MINI-PLUS DAPC-XXXX
2.5 TO 3 TON, VERTICAL
SUPPLY/RETURN AIR PLENUM

dataaire

DRAWN BY :	G. SALDIVAR	SCALE:	NONE
CHECKED BY :		SH	1 OF 1
DATE :	12-14-2005	REV	P

PART OF

535-900-022
DWG. NO.