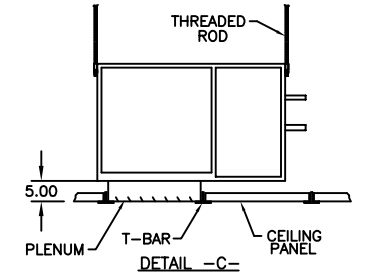
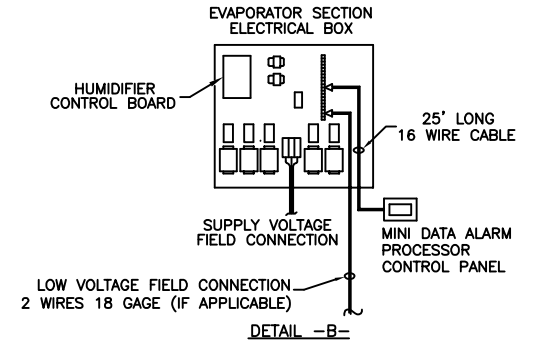
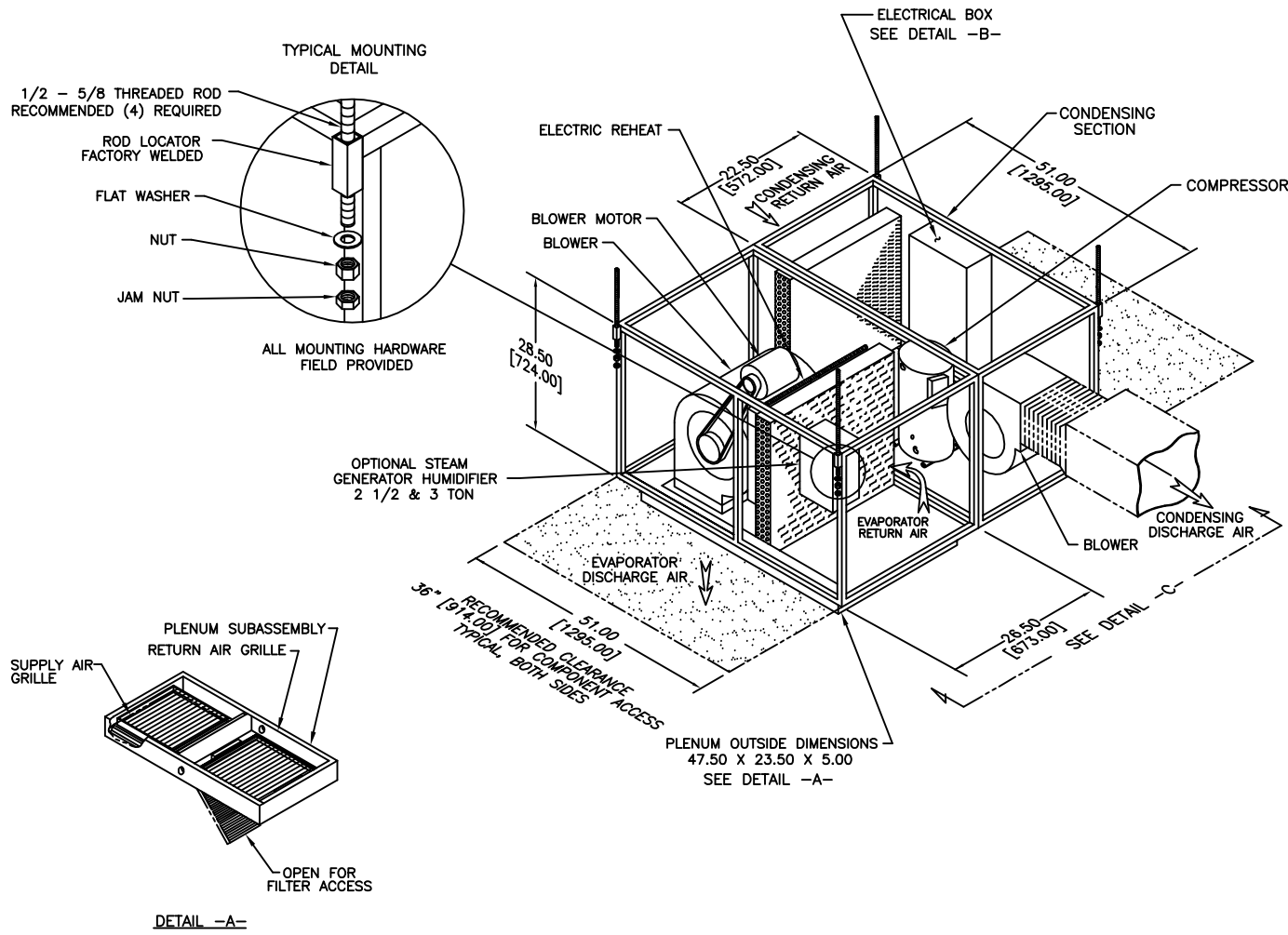


**NOTES:**

- ▲ POSITIVE CONDENSATE DRAIN LOCATED ON BOTTOM OF COIL PAN (LOCATION VARIES) AND MUST BE PIPED TO EXTERNAL DRAIN.
- ▲ ALL UNIT DIMENSIONS ARE IN INCH [mm] FORMAT.

REVISIONS				
REV	DESCRIPTION	DATE	BY	FROM
F	UPDATED TYPICAL MOUNTING DETAIL	07-26-16	RRK	ACR



MINI PLUS AIR COOLED PACKAGE  
VERTICAL SUPPLY/RETURN AIR  
PLENUM, 2 1/2 TO 3 TON

**dataaire**

DRAWN BY :	E. DIAZ	SCALE:	NONE
CHECKED BY :		SH	1 OF 1
DATE :	07-13-2004	REV	F

PART OF

**535-900-030**  
DWG NO.