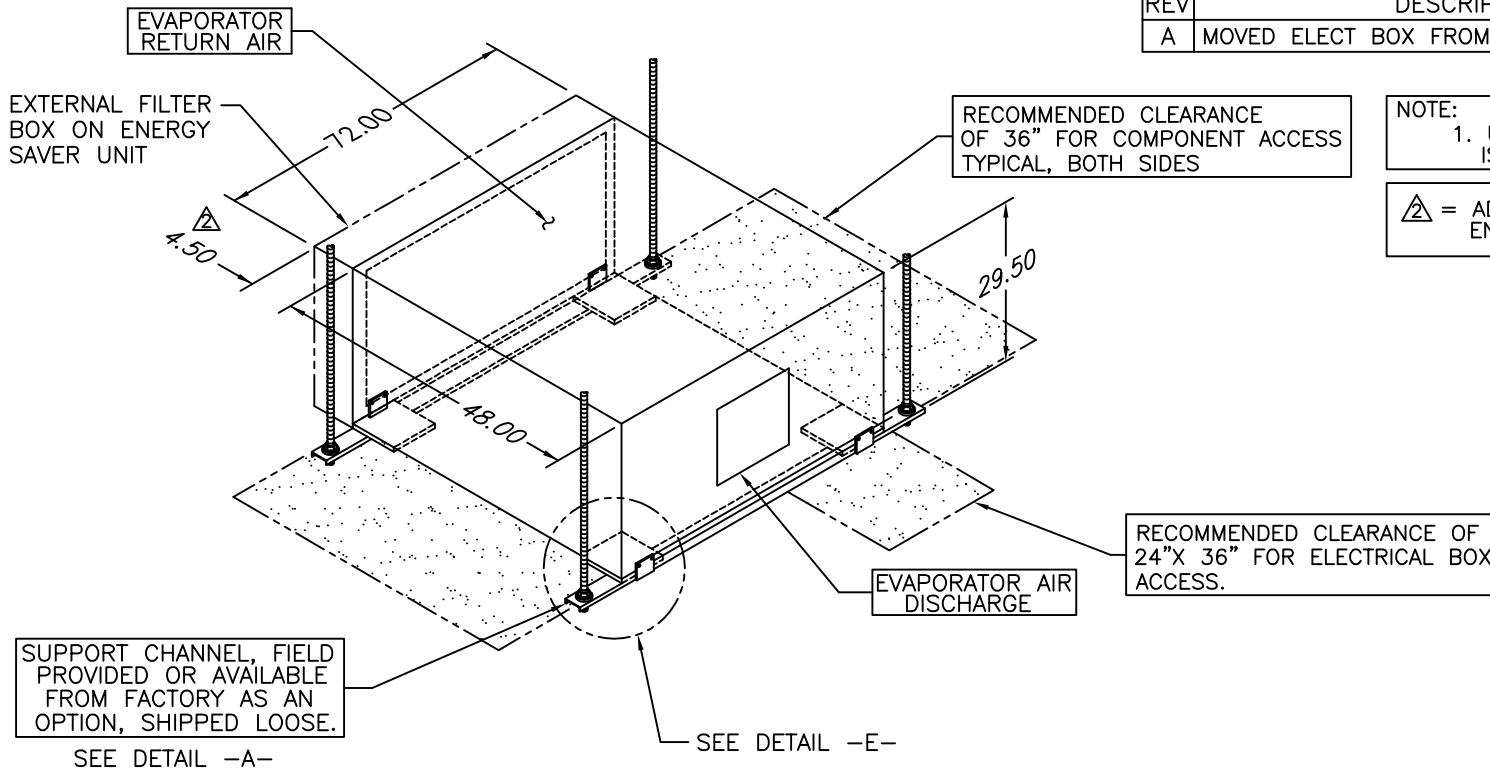
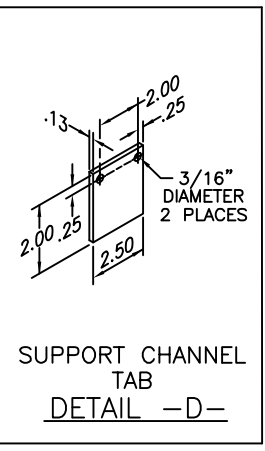
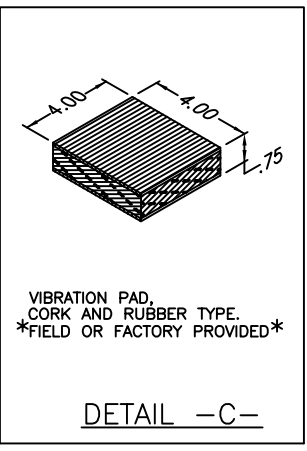
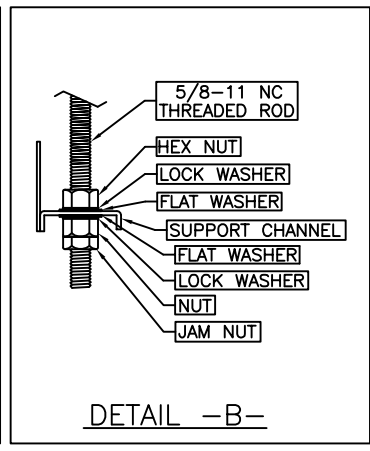
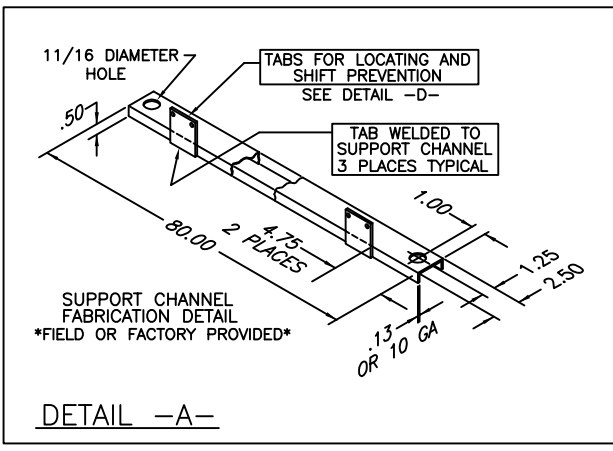
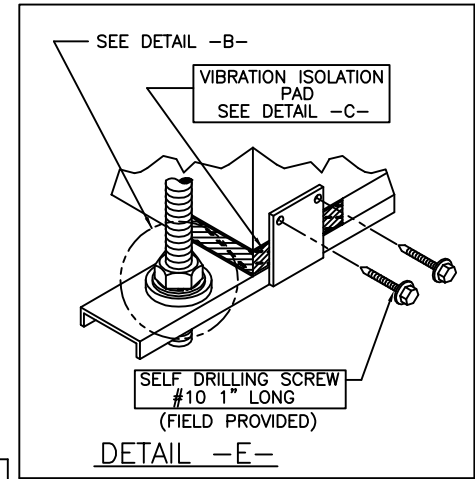


REVISIONS			
REV	DESCRIPTION	DATE	BY
A	MOVED ELECT BOX FROM LEFT TO RIGHT SIDE	11-01-11	JAP



NOTE:
1. UNIT MUST BE LEVEL WHEN INSTALLATION IS COMPLETE.

△ = ADD AN ADDITIONAL 4 1/2" FOR ENERGY SAVER UNITS



LARGE CEILING UNIT
TYPICAL MOUNTING FOR
6-13 TON

DATA AIRE INC.
A CONSTRUCTION SPECIALTIES INC. Company

DRAWN BY :	E. DIAZ	SCALE: NONE
CHECKED BY :		SH 1 OF 1
DATE :	7-22-96	REV A

PART OF
536-900-001
DWG NO.