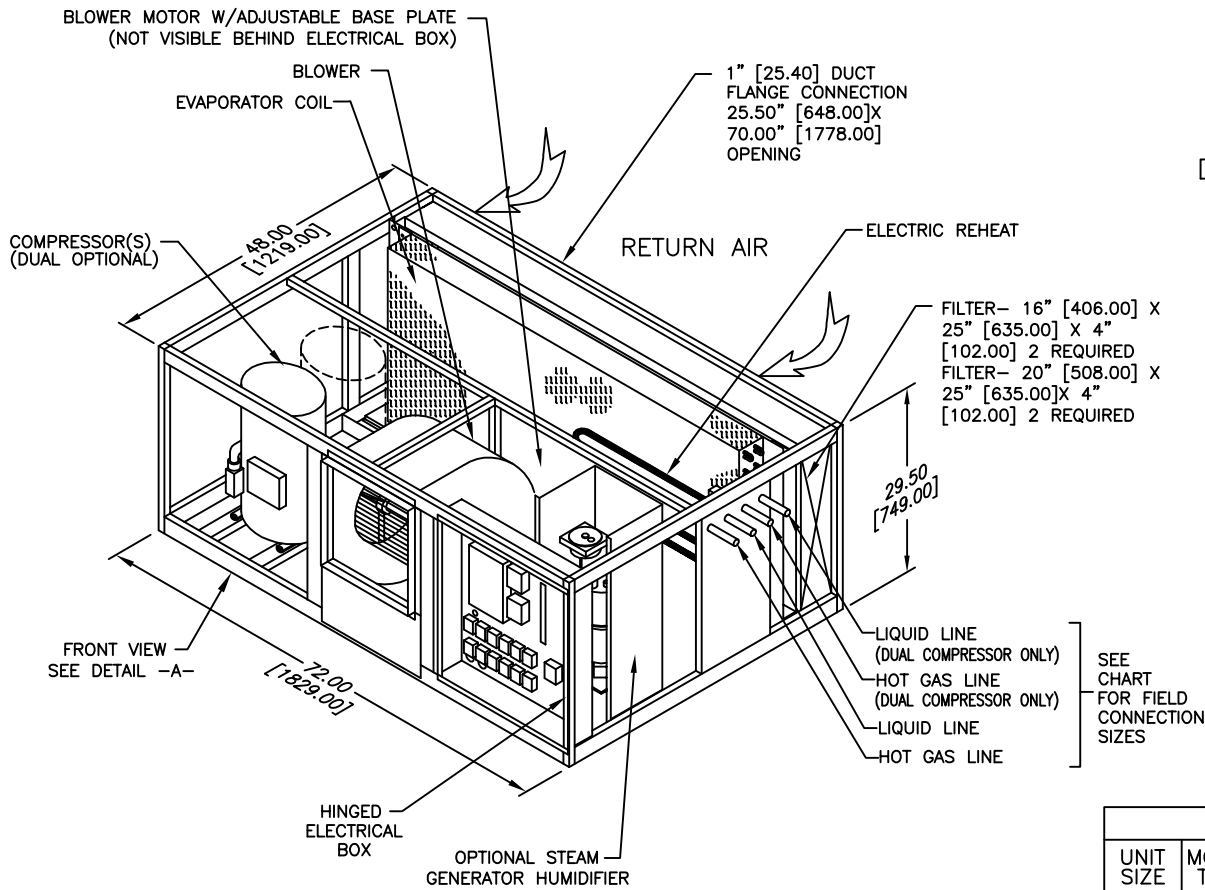


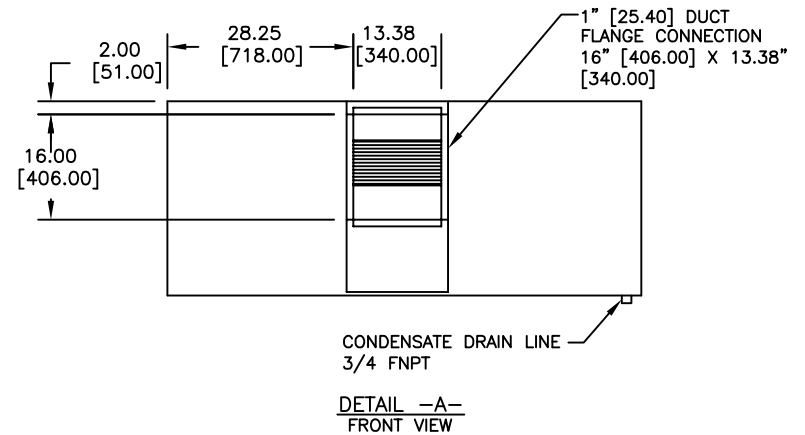
NOTES:

1. FACTORY RECOMMENDED CLEARANCES ARE 36" [914.00] OF OPEN SPACE AT THE FRONT AND SIDES OF THE UNIT, WHICH ARE MINIMUM CLEARANCES REQUIRED. CONSULT LOCAL BUILDING CODES AND NEC REQUIREMENTS FOR ADDITIONAL CLEARANCE REQUIREMENTS.
2. ALL UNIT DIMENSIONS ARE IN INCH [mm] FORMAT.



AIR COOLED INDOOR EVAPORATOR
(SHOWN WITHOUT PANELS)

| REVISIONS | | | | |
|-----------|-------------------------------------|----------|-----|------|
| REV | DESCRIPTION | DATE | BY | FROM |
| K | REMOVED CONDENSATE DISCHARGE ACCESS | 08-03-16 | RRK | JS |



SEE CHART FOR FIELD CONNECTION SIZES

| PIPING CHART | | | | | | |
|--------------|------------|-------------|---------|--------------|------|--------------|
| UNIT SIZE | MODEL TYPE | LIQUID LINE | | HOT GAS LINE | | |
| 6 TON | SINGLE | 5/8" | [15.88] | O.D. | 5/8" | [15.88] O.D. |
| | DUAL | 1/2" | [12.70] | O.D. | 1/2" | [12.70] O.D. |
| 8 TON | SINGLE | 5/8" | [15.88] | O.D. | 3/4" | [19.05] O.D. |
| | DUAL | 1/2" | [12.70] | O.D. | 5/8" | [15.88] O.D. |
| 10 TON | SINGLE | 5/8" | [15.88] | O.D. | 3/4" | [19.05] O.D. |
| | DUAL | 1/2" | [12.70] | O.D. | 5/8" | [15.88] O.D. |
| 13 TON | SINGLE | 7/8" | [22.23] | O.D. | 7/8" | [22.23] O.D. |
| | DUAL | 5/8" | [15.88] | O.D. | 5/8" | [15.88] O.D. |

DALA-XXXX-CO AIR COOLED INDOOR EVAPORATOR SECTION 6 - 13 TON

dataaire

DRAWN BY : E. DIAZ SCALE: NONE

CHECKED BY : SH 1 OF 1

DATE : 08-07-2003 REV K

PART OF

536-900-002
DWG NO.