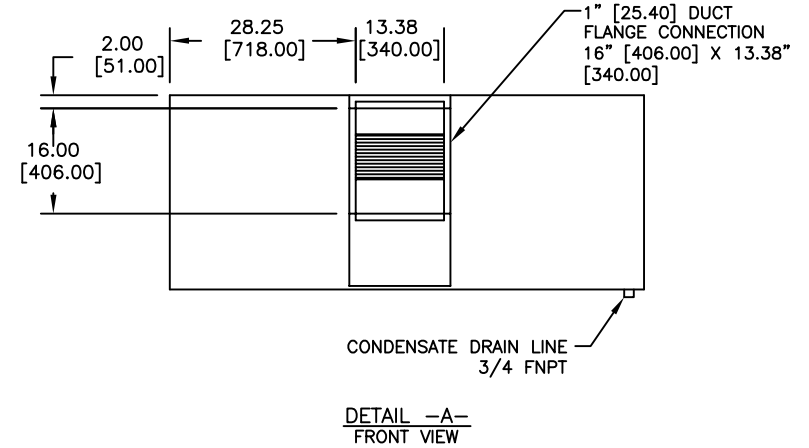
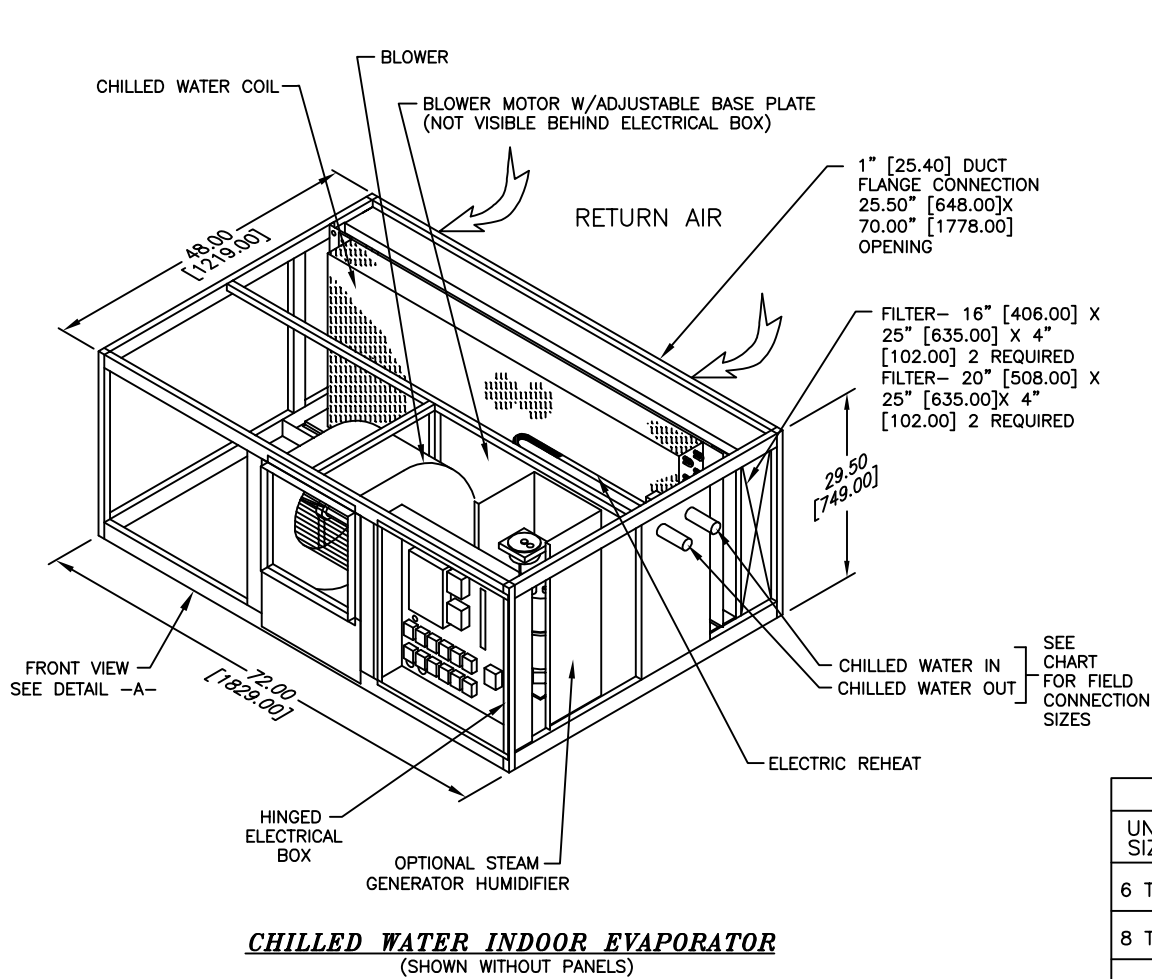


NOTES:

1. FACTORY RECOMMENDED CLEARANCES ARE 36" [914.00] OF OPEN SPACE AT THE FRONT AND SIDES OF THE UNIT, WHICH ARE MINIMUM CLEARANCES REQUIRED. CONSULT LOCAL BUILDING CODES AND NEC REQUIREMENTS FOR ADDITIONAL CLEARANCE REQUIREMENTS.
2. ALL UNIT DIMENSIONS ARE IN INCH [mm] FORMAT.

REVISIONS				
REV	DESCRIPTION	DATE	BY	CHKBY
K	REMOVED CONDENSATE DISCHARGE ACCESS	08-03-16	RRK	JS



PIPING CHART		
UNIT SIZE	WATER IN	WATER OUT
6 TON	1 1/8" [29.00] O.D.	1 1/8" [29.00] O.D.
8 TON	1 5/8" [41.00] O.D.	1 5/8" [41.00] O.D.
10 TON	1 5/8" [41.00] O.D.	1 5/8" [41.00] O.D.
13 TON	1 5/8" [41.00] O.D.	1 5/8" [41.00] O.D.

DALC-XXXX-CHILLED WATER INDOOR EVAPORATOR SECTION 6 - 13 TON

dataaire

DRAWN BY :	ACROSS	SCALE:	NONE
CHECKED BY :		SH	1 OF 1
DATE :	06-28-05	REV	K

PART OF

536-900-004
DWG NO.