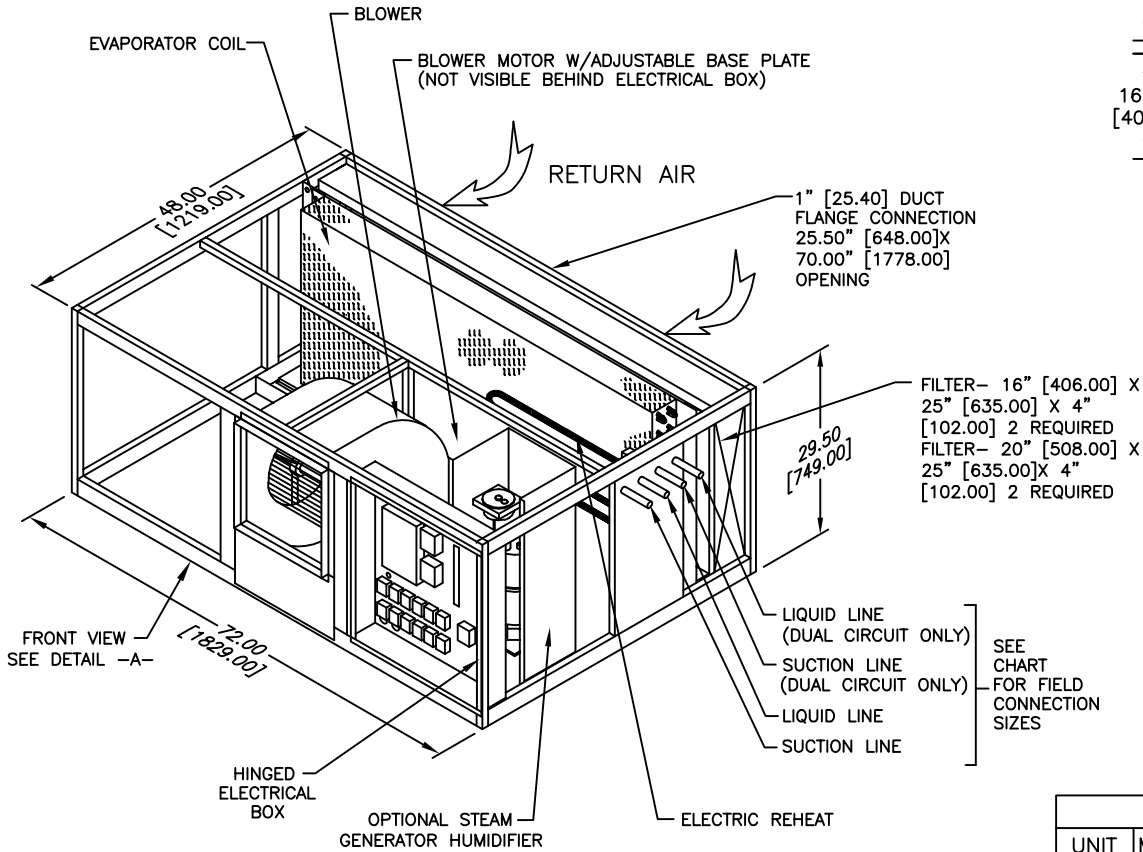


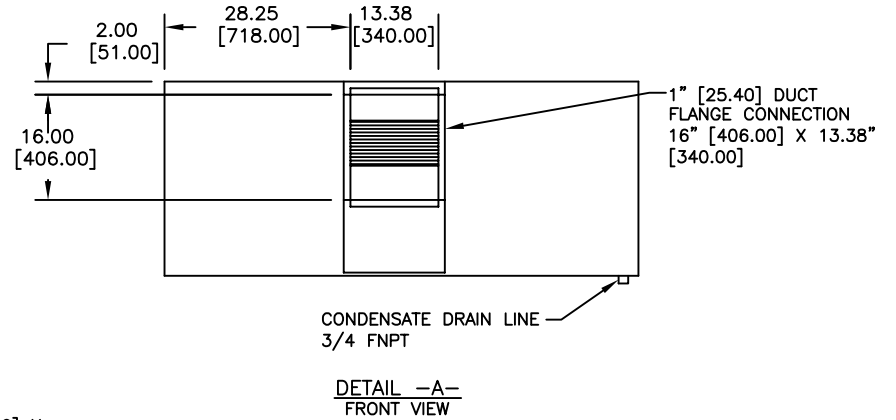
NOTES:

1. FACTORY RECOMMENDED CLEARANCES ARE 36" [914.00] OF OPEN SPACE AT THE FRONT AND SIDES OF THE UNIT, WHICH ARE MINIMUM CLEARANCES REQUIRED. CONSULT LOCAL BUILDING CODES AND NEC REQUIREMENTS FOR ADDITIONAL CLEARANCE REQUIREMENTS.
2. ALL UNIT DIMENSIONS ARE IN INCH [mm] FORMAT.

25.50" [648.00] X 70.00"
[1778.00] OPENING



REVISIONS				
REV	DESCRIPTION	DATE	BY	FROM
L	CORRECTED PIPING CHART/LINE SIZING	05-22-19	RK	DM



FILTER- 16" [406.00] X 25" [635.00] X 4" [102.00] 2 REQUIRED
 FILTER- 20" [508.00] X 25" [635.00] X 4" [102.00] 2 REQUIRED

SEE CHART FOR FIELD CONNECTION SIZES

AIR COOLED INDOOR EVAPORATOR
(SHOWN WITHOUT PANELS)

PIPING CHART							
UNIT SIZE	MODEL TYPE	LIQUID LINE			SUCTION LINE		
6 TON	SINGLE	5/8"	[15.88]	O.D.	1 1/8"	[28.58]	O.D.
	DUAL	1/2"	[12.70]	O.D.	7/8"	[22.23]	O.D.
8 TON	SINGLE	5/8"	[15.88]	O.D.	1 3/8"	[34.93]	O.D.
	DUAL	1/2"	[12.70]	O.D.	7/8"	[22.23]	O.D.
10 TON	SINGLE	5/8"	[15.88]	O.D.	1 3/8"	[34.93]	O.D.
	DUAL	1/2"	[12.70]	O.D.	1 1/8"	[28.58]	O.D.
13 TON	SINGLE	7/8"	[22.23]	O.D.	1 3/8"	[34.93]	O.D.
	DUAL	5/8"	[15.88]	O.D.	1 1/8"	[28.58]	O.D.

DALA-XXXX-AO AIR COOLED INDOOR EVAPORATOR SECTION 6 - 13 TON

DRAWN BY : ACROSS SCALE: NONE
 CHECKED BY : RVILLARREAL SH 1 OF 1
 DATE : 06-28-05 REV L

PART OF
536-900-005
 DWG NO.