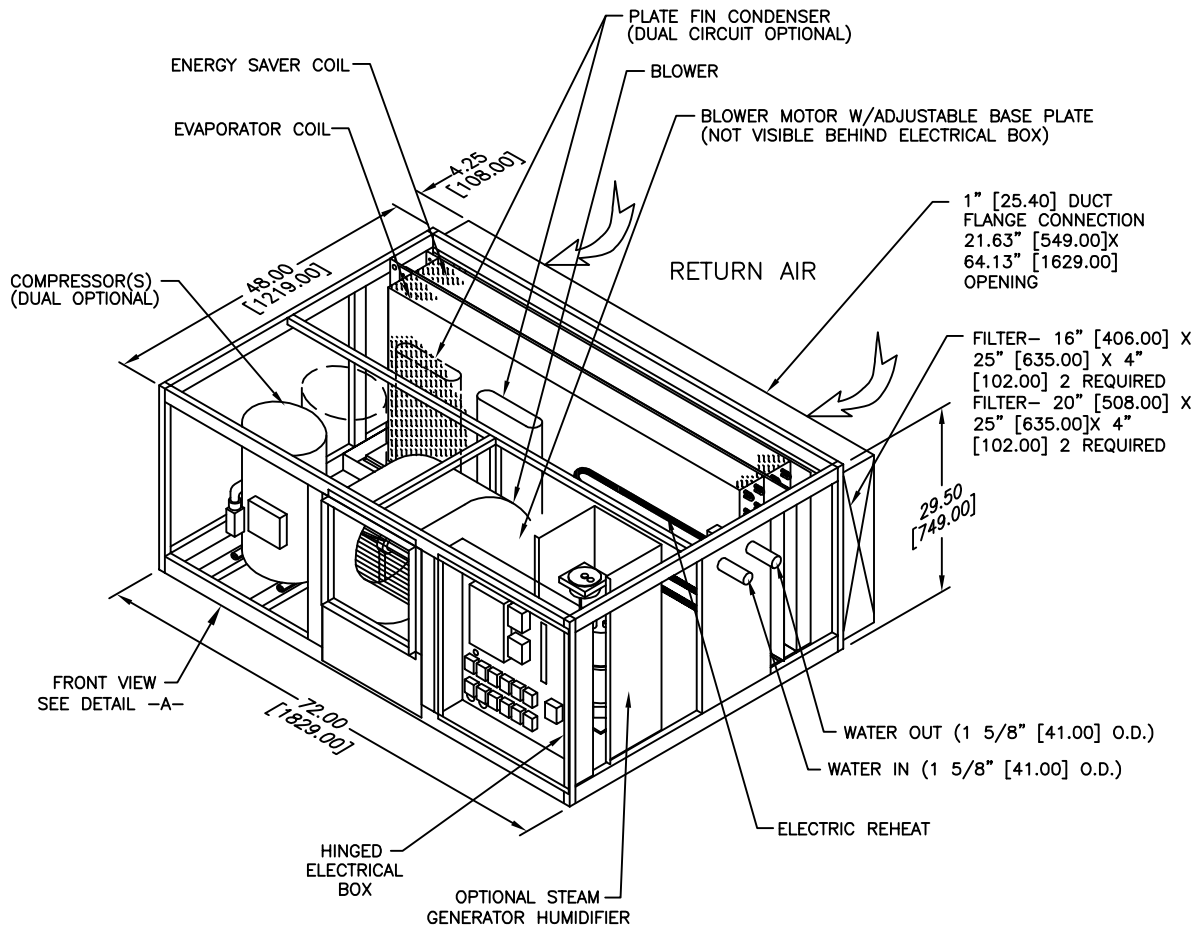


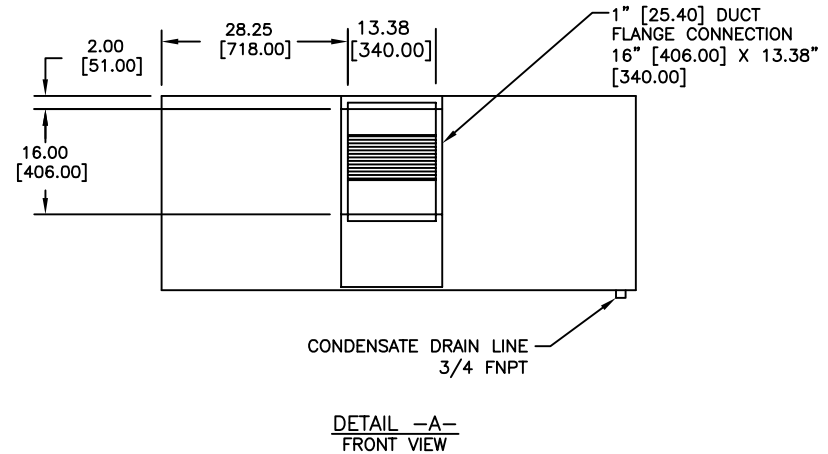
NOTES:

1. FACTORY RECOMMENDED CLEARANCES ARE 36" [914.00] OF OPEN SPACE AT THE FRONT AND SIDES OF THE UNIT, WHICH ARE MINIMUM CLEARANCES REQUIRED. CONSULT LOCAL BUILDING CODES AND NEC REQUIREMENTS FOR ADDITIONAL CLEARANCE REQUIREMENTS.
2. ALL UNIT DIMENSIONS ARE IN INCH [mm] FORMAT.



WATER/GLYCOL COOLED INDOOR EVAPORATOR
(SHOWN WITHOUT PANELS)

REVISIONS				
REV	DESCRIPTION	DATE	BY	CHKBY
G	REMOVED CONDENSATE DISCHARGE ACCESS	08-03-16	RRK	JS



DETAIL -A-
FRONT VIEW

DALW-XXXX-E WATER/GLYCOL
COOLED INDOOR EVAPORATOR
SECTION W/ENERGY SAVER
6 - 13 TON



DRAWN BY :	E.DIAZ	SCALE: NONE
CHECKED BY :		SH 1 OF 1
DATE :	10-12-00	REV G

PART OF
536-900-006
DWG NO.