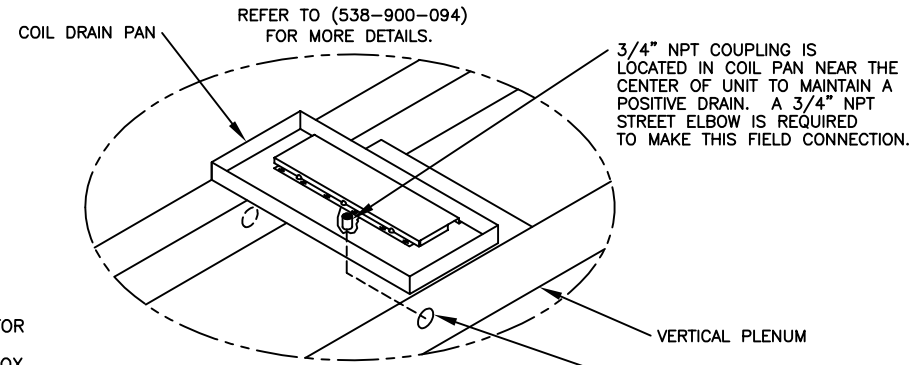
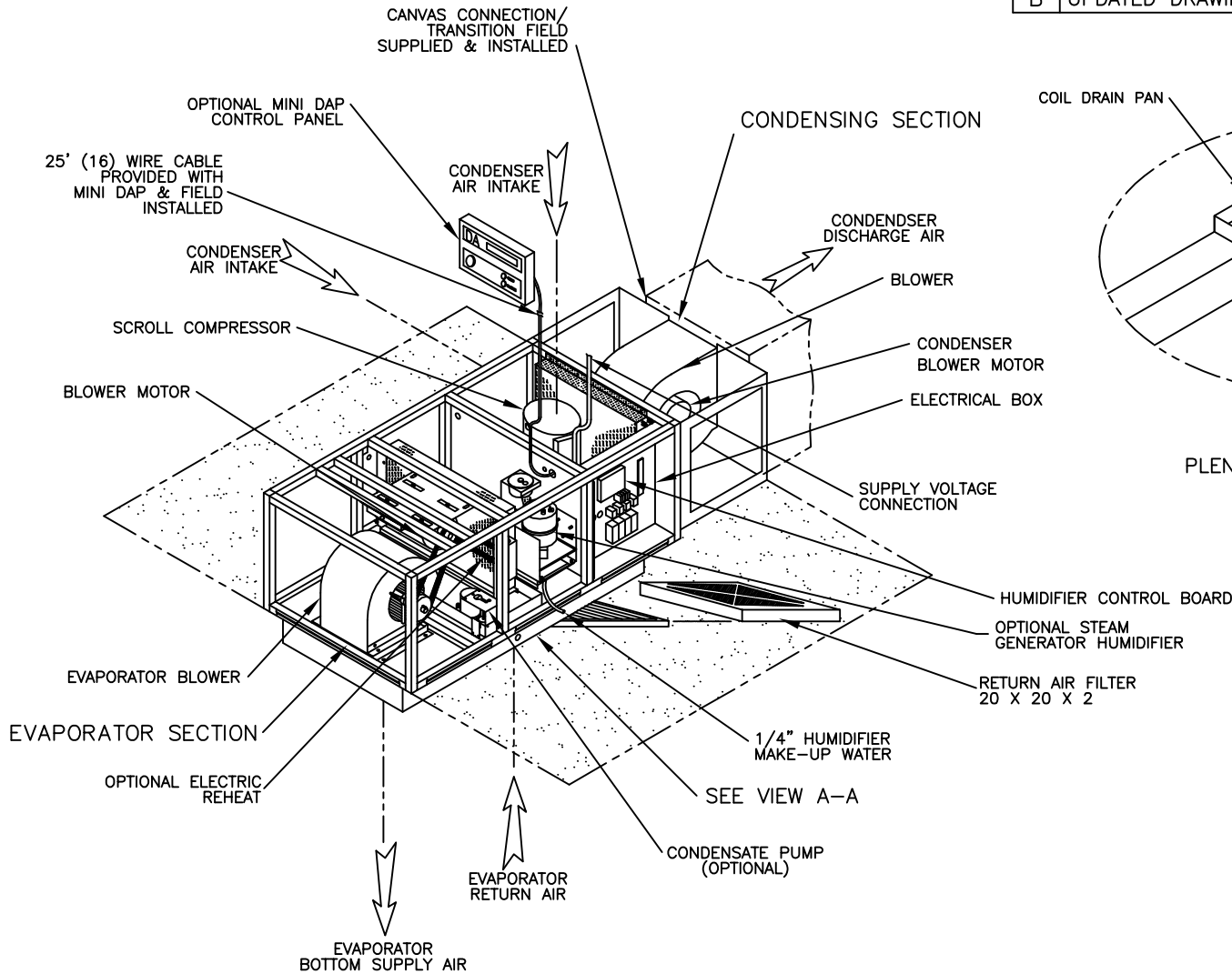


REVISIONS				
REV	DESCRIPTION	DATE	BY	CHKBY
B	UPDATED DRAWING FORMAT & TITLEBLOCK	02-03-16	JAP	GM



VIEW A-A
PLENUM SECTION DRAIN DETAIL

ONE OF TWO 1" ACCESS HOLES PROVIDED FOR THE CONDENSATE DRAIN LINE (FIELD PIPING REQUIRED) ACCESS HOLES ARE LOCATED ON BOTH SIDES FIELD PIPING W/TRAP REQUIRED. DOTTED LINE INDICATES FIELD PIPING. USE HOLE ON OPPOSITE SIDE AS ALTERNATE ROUTE.

MINI CEILING COMPONENT BREAKDOWN DAMA-XXXX-P, AIR COOLED INDOOR PACKAGE 1 TO 2 1/2 TON			
DRAWN BY :	E. DIAZ	SCALE:	NONE
CHECKED BY :		SH	1 OF 1
DATE :	08-13-2002	REV	B
PART OF			
538-900-071			
DWG NO.			