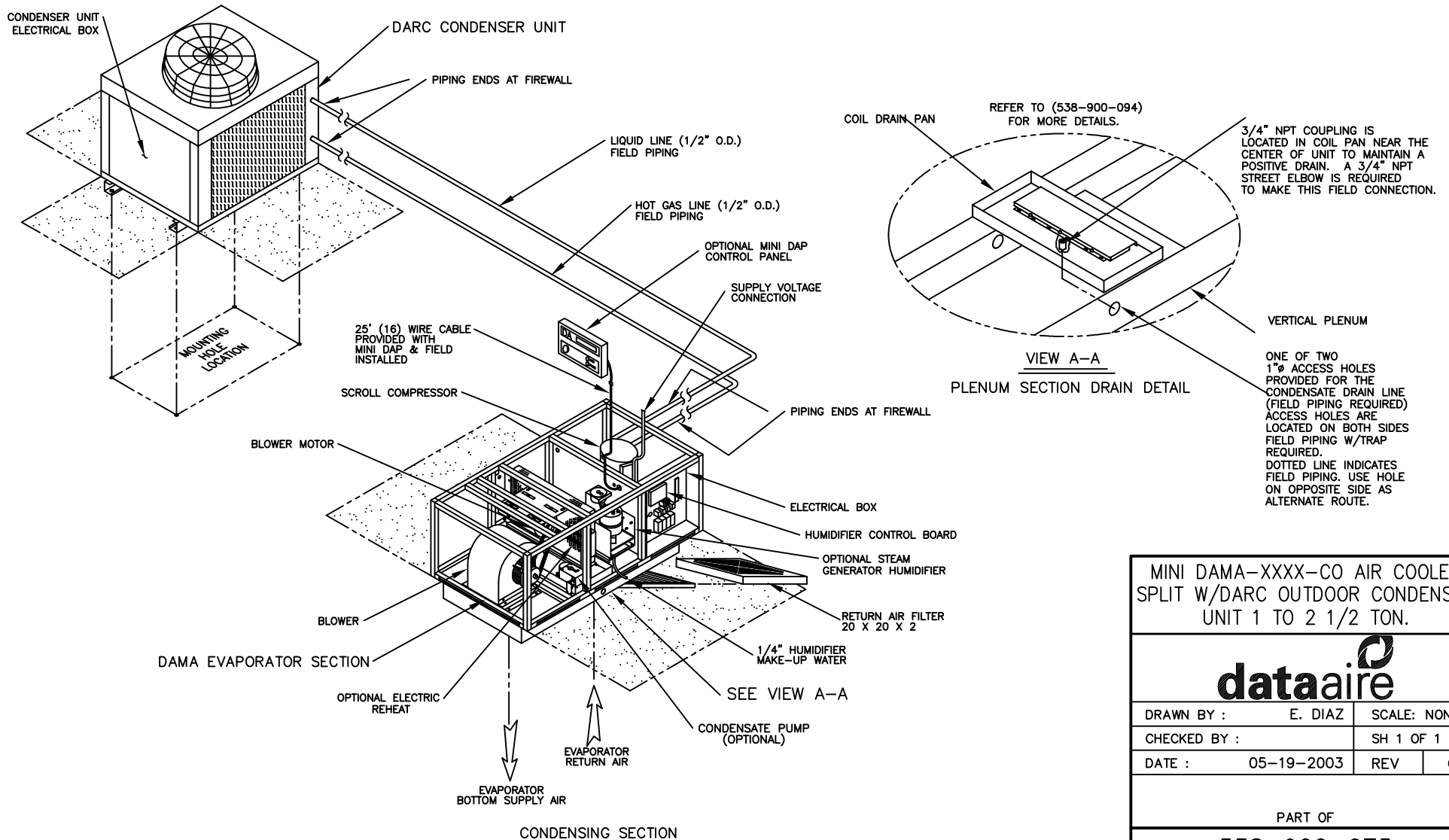


REVISIONS				
REV	DESCRIPTION	DATE	BY	CHKBY
C	UPDATED LOGO AND TITLEBLOCK	04-04-16	JAP	GM



MINI DAMA-XXXX-CO AIR COOLED SPLIT W/DARC OUTDOOR CONDENSER UNIT 1 TO 2 1/2 TON.

**dataaire**

DRAWN BY :	E. DIAZ	SCALE:	NONE
CHECKED BY :		SH	1 OF 1
DATE :	05-19-2003	REV	C

PART OF

**538-900-075**

DWG NO.