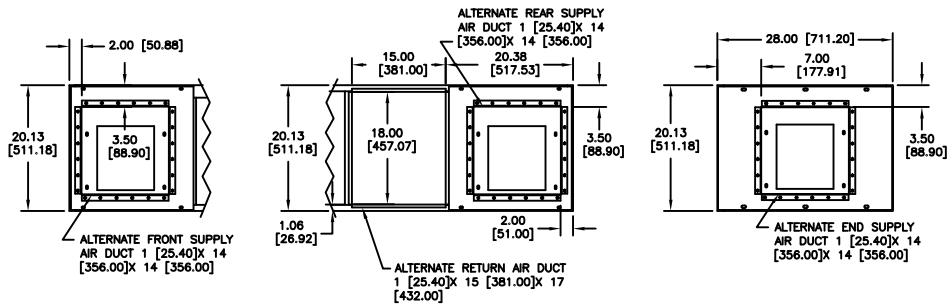
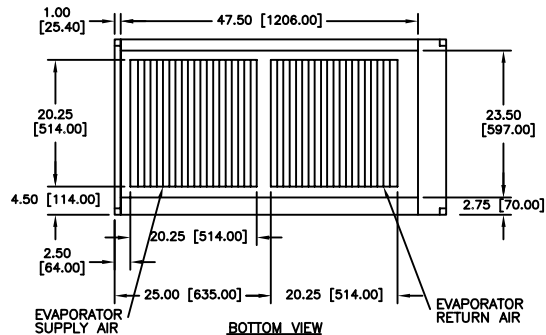


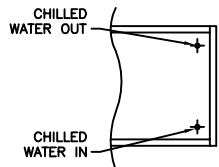
REVISIONS				
REV	DESCRIPTION	DATE	BY	FROM
D	REVISED CABINET DIMENSIONS FOR NEW COIL	03-31-16	RRK	VL



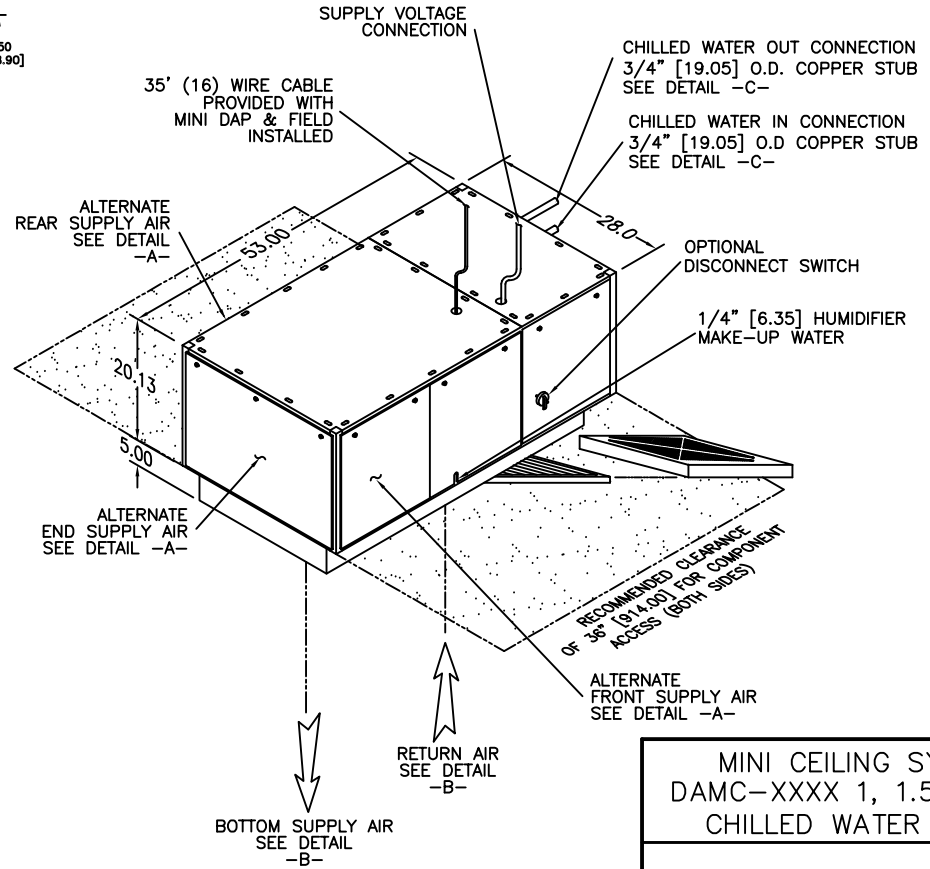
DETAIL -A-
ALTERNATE SUPPLY AIR &
RETURN AIR LOCATIONS



DETAIL -B-
EVAPORATOR SUPPLY & RETURN AIR



DETAIL -C-
PIPING LOCATION



MINI CEILING SYSTEMS
DAMC-XXXX 1, 1.5 & 2 TON
CHILLED WATER COOLED

dataaire

DRAWN BY :	J.P.	SCALE: NONE
CHECKED BY :		SH 1 OF 1
DATE :	12-28-1998	REV D

PART OF

538-900-078
DWG NO.