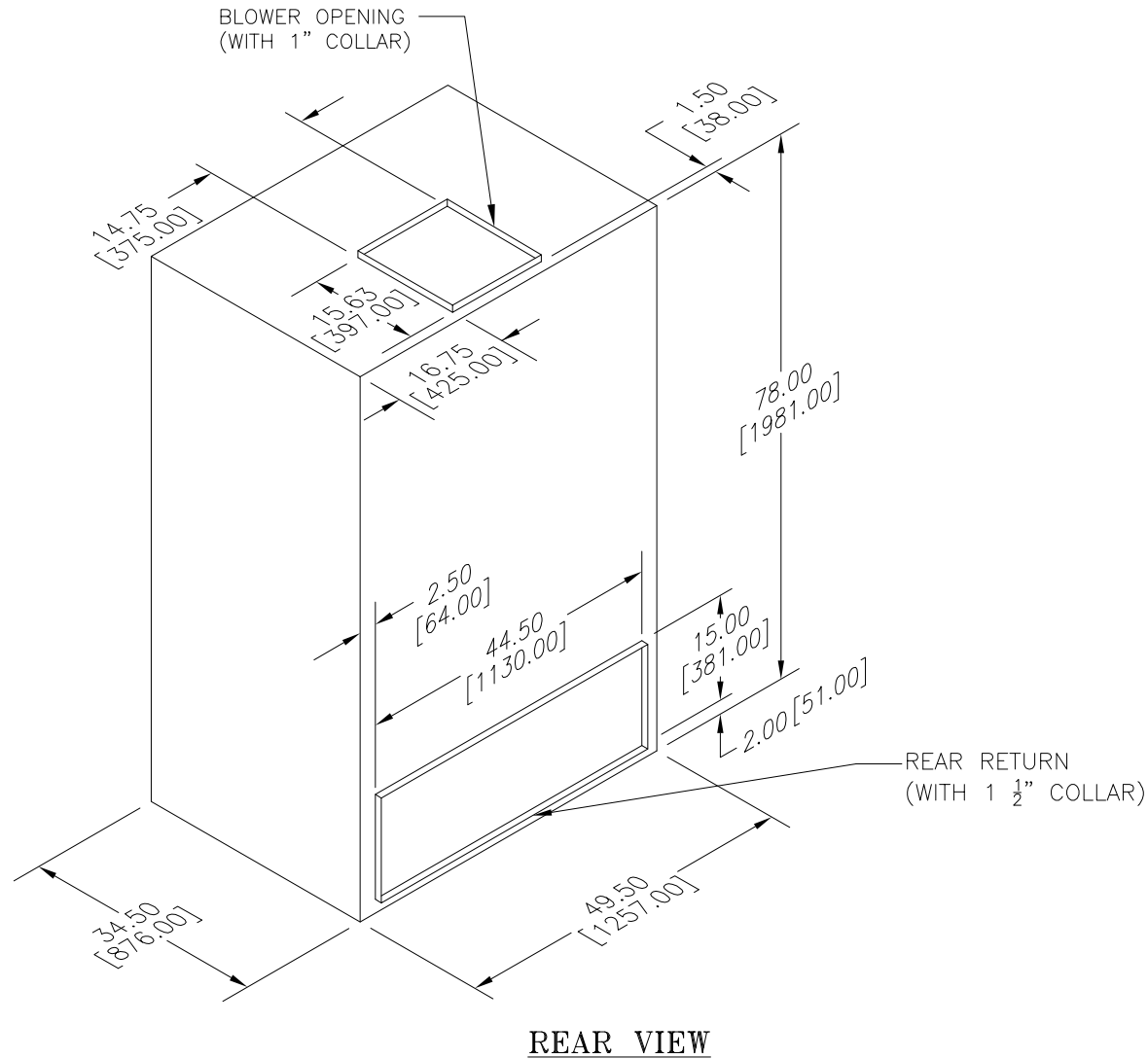


NOTES:

1. ALL UNIT DIMENSIONS ARE SHOWN IN INCH[mm] FORMAT.



REVISIONS				
REV	DESCRIPTION	DATE	BY	CHKBY
-	-	-	-	-

DATA AIRE 8, 10, & 13 TON
MOD. DATA TEMP UPFLOW UNIT
WITH REAR RETURN AIR



DRAWN BY :	T. BLAIR	SCALE:	NONE
CHECKED BY :	A. DELGADO	SH	1 OF 1
DATE :	01-07-2019	REV	-

PART OF	
550-900-025	
DWG NO.	