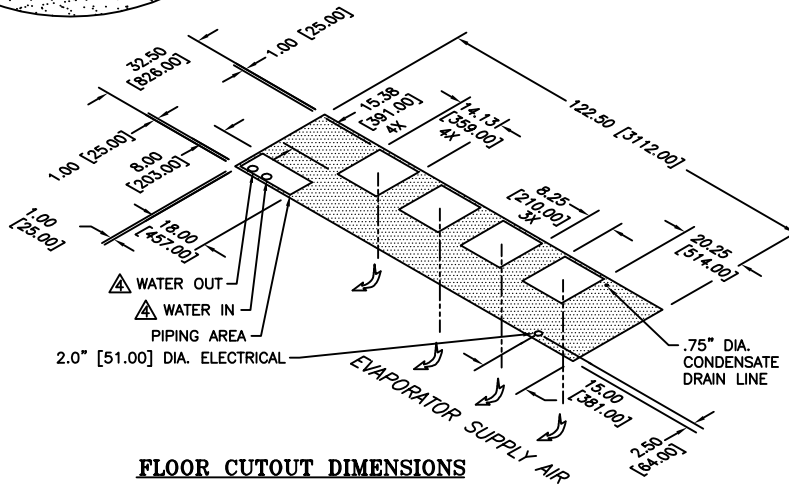
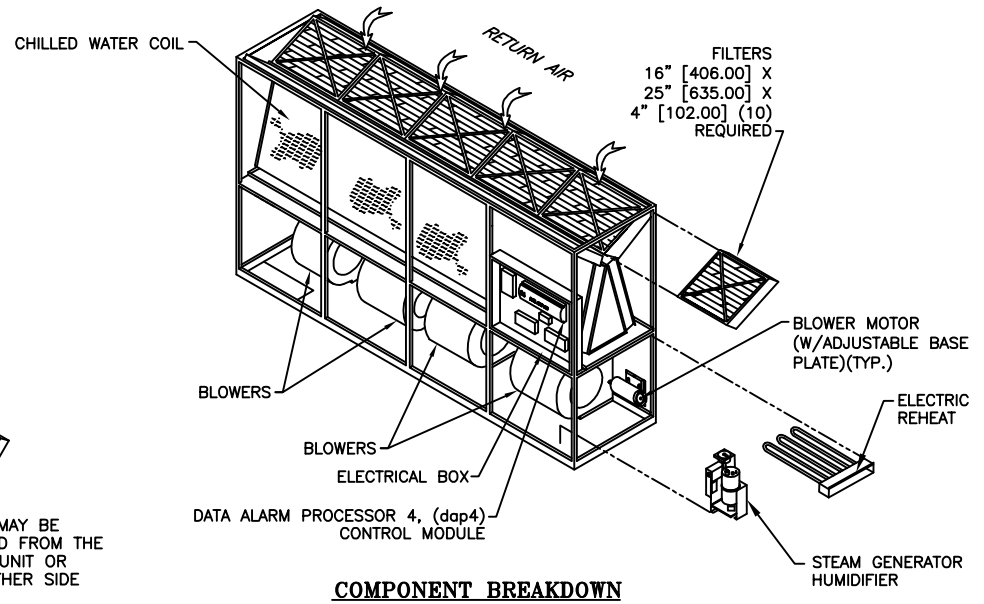
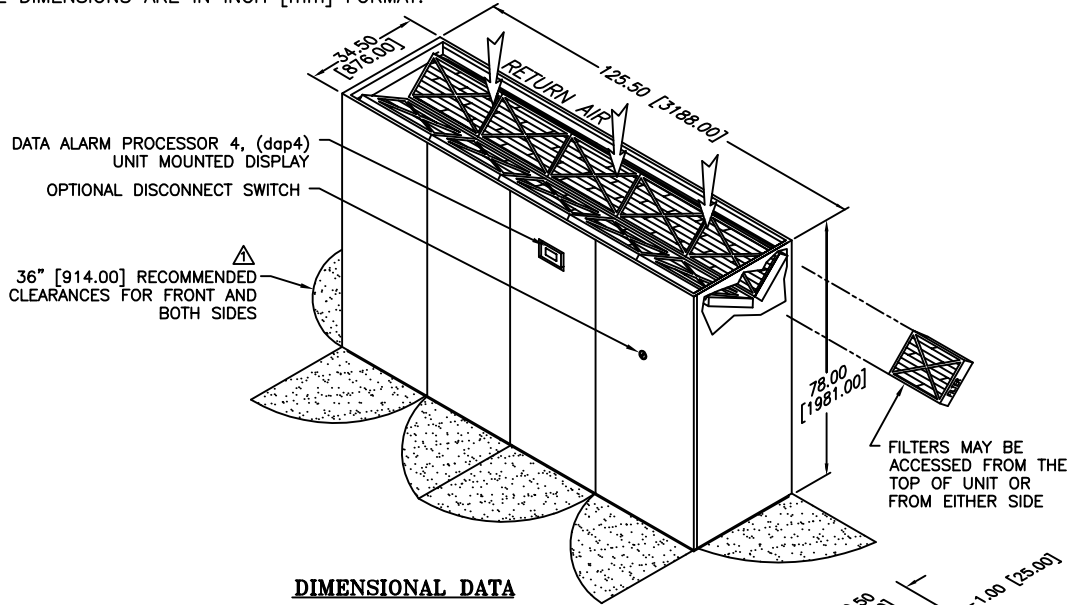


NOTES:

1. DIMENSIONS NOTED ARE THE MINIMUM CLEARANCES REQUIRED BY THE FACTORY. CONSULT LOCAL BUILDING CODES AND NEC FOR ADDITIONAL CLEARANCE REQUIREMENTS.
2. ALL STANDARD PIPING TERMINATES INSIDE OF CABINET. ALL OPTIONAL PIPING (TOP/SIDE) TERMINATES OUTSIDE OF CABINET.
3. ALL COMPONENTS AND OPTIONS ARE NOT SHOWN.
4. CONNECTION PIPE SIZE IS 2 5/8 [67.00] DIAMETER FOR 40, 45 & 50 TON.
5. ALL DIMENSIONS ARE IN INCH [mm] FORMAT.

REVISIONS				
REV	DESCRIPTION	DATE	BY	FROM
M	UPDATED PIPING DETAILS	11-20-15	RRK	T



DATA AIRE
40, 45 & 50 TON
DOWNFLOW CHILLED WATER

dataaire

DRAWN BY :	ACROSS	SCALE: NONE
CHECKED BY :		SH 1 OF 1
DATE :	05-24-2007	REV M

PART OF

550-900-064
DWG NO.