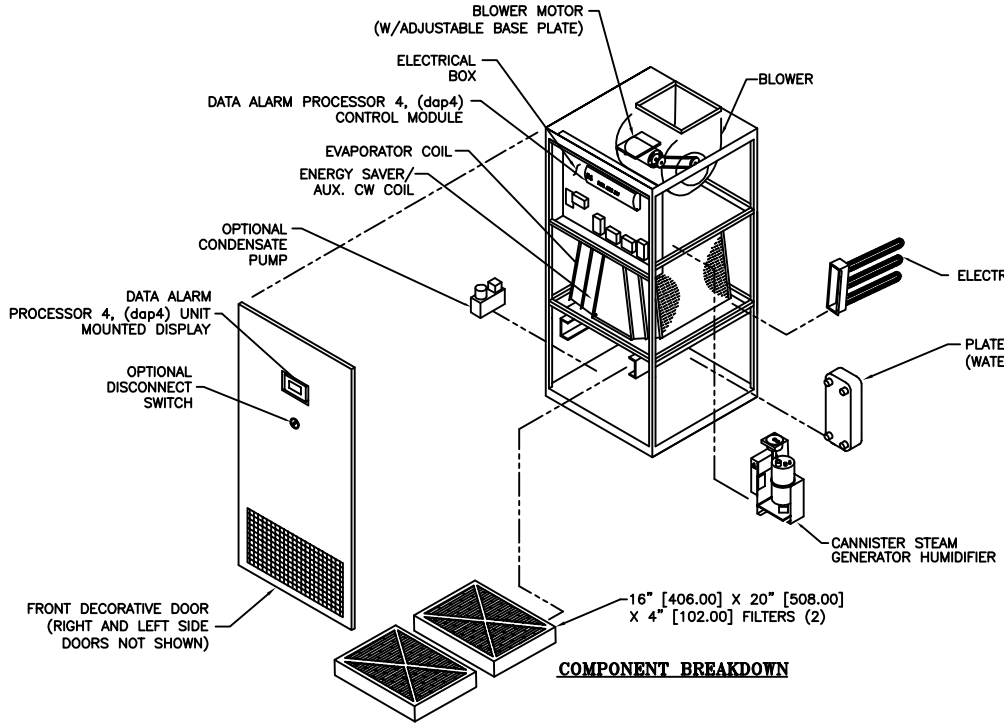


NOTES:

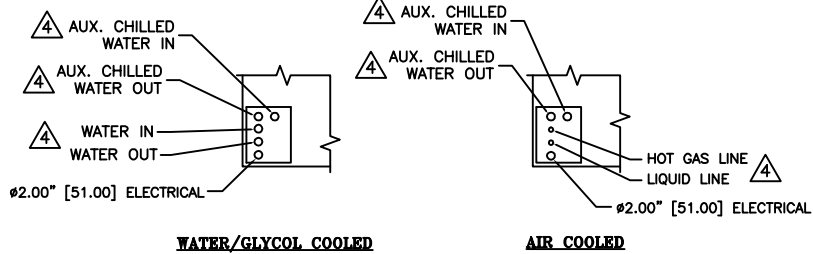
- 1. DIMENSIONS NOTED ARE THE MINIMUM CLEARANCES REQUIRED BY THE FACTORY, CONSULT LOCAL BUILDING CODES AND NEC FOR ADDITIONAL CLEARANCE REQUIREMENTS.
- 2. ALL STANDARD PIPING TERMINATES INSIDE OF CABINET. ALL OPTIONAL PIPING (TOP/SIDE) TERMINATES OUTSIDE OF CABINET.
- 3. NOT ALL COMPONENTS AND OPTIONS ARE SHOWN.
- 4. SEE TABLE FOR CONNECTION PIPE SIZES.
- 5. ALL DIMENSIONS ARE IN INCH [mm] FORMAT.

UNIT (TON)	CONNECTION PIPE SIZE (Ø)			
	2	3	4	5
LIQUID/HOT GAS (AIR COOLED)	1/2 [12.70]	1/2 [12.70]	1/2 [12.70]	1/2 [12.70]
SUPPLY/RETURN (WATER/GLYCOL)	3/4 [19.05]	3/4 [19.05]	1 1/8 [29.00]	1 1/8 [29.00]
AUXILIARY CHILLED WATER	1 1/8 [29.00]	1 1/8 [29.00]	1 1/8 [29.00]	1 1/8 [29.00]

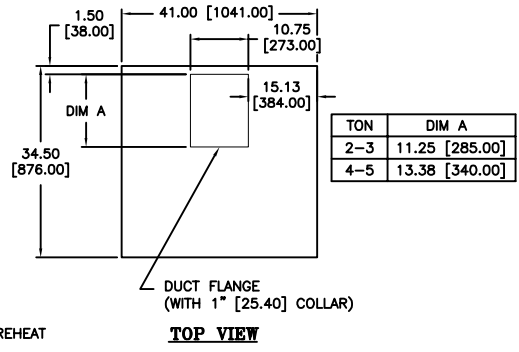
REVISIONS			
REV	DESCRIPTION	DATE	BY
D	ADDED ELECT CALLOUT TO PIPING DETAILS	04-19-16	RRK



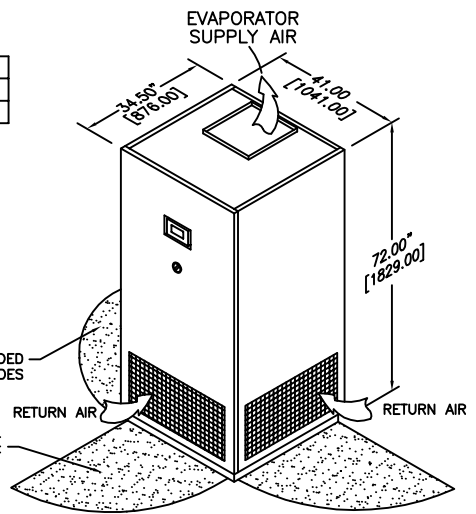
COMPONENT BREAKDOWN



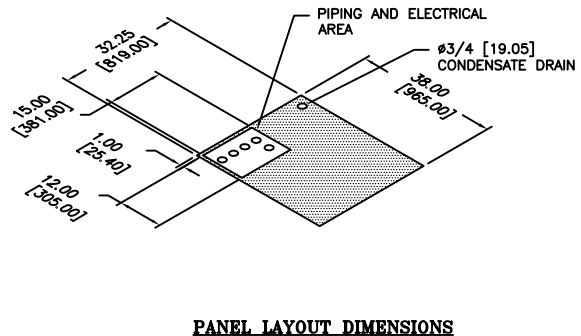
STANDARD PIPING LOCATIONS



TOP VIEW



DIMENSIONAL DATA



PANEL LAYOUT DIMENSIONS

2-5 TON DT UPFLOW WITH ENERGY SAVER/AUXILIARY CHILLED WATER COIL

dataaire

DRAWN BY :	J. PERKINS	SCALE: NONE
CHECKED BY :	G. MAGANA	SH 1 OF 1
DATE :	09-11-2012	REV D

PART OF

555-900-512

DWG NO.