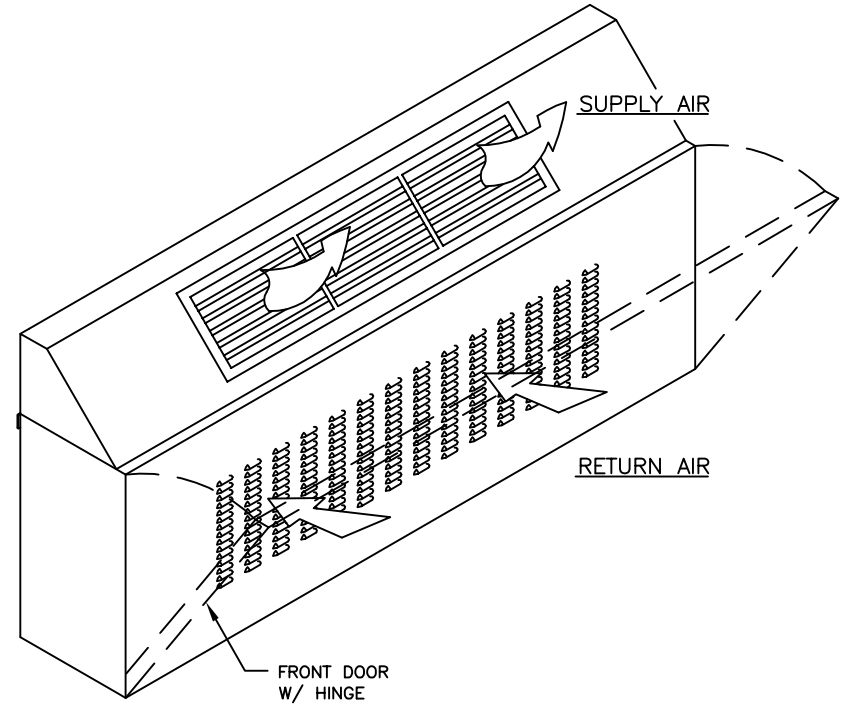
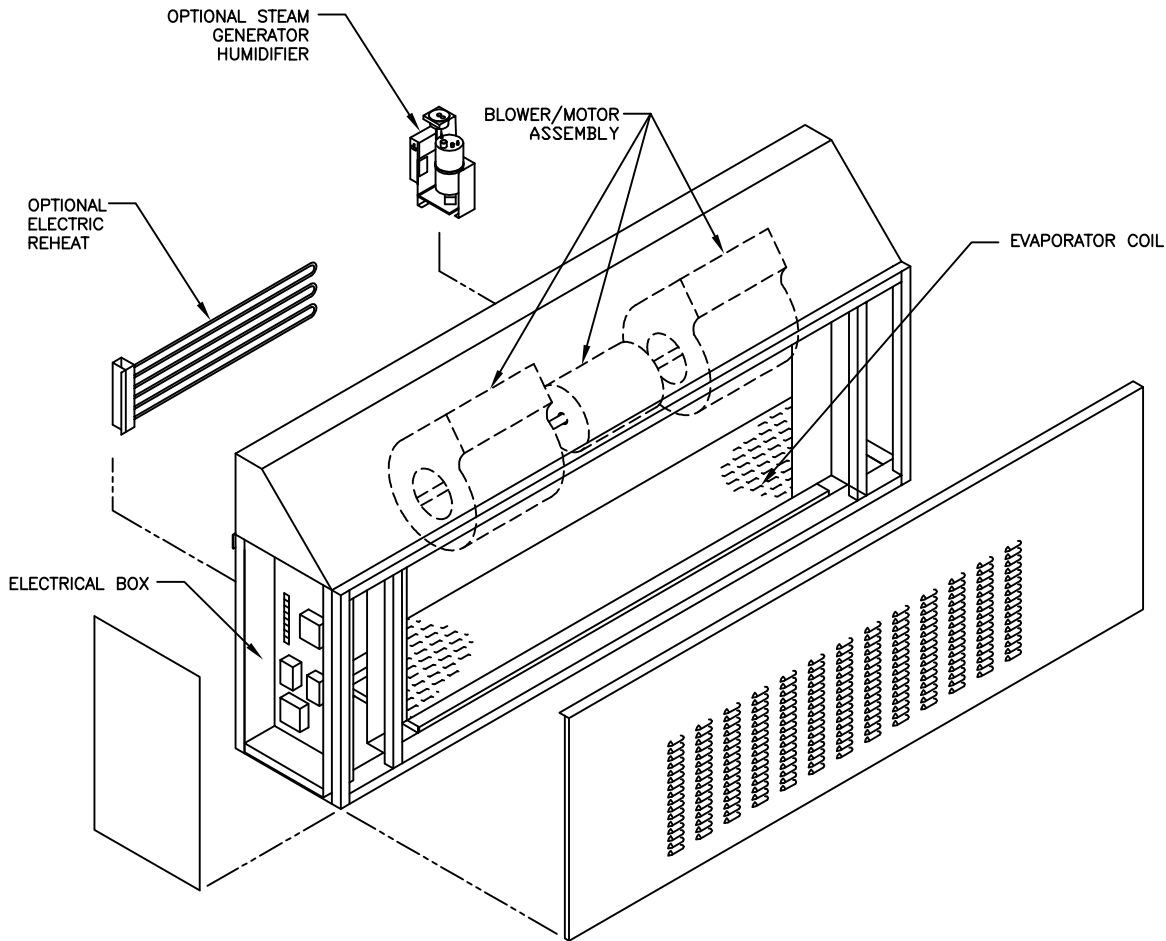



NOTES:

REVISIONS				
REV	DESCRIPTION	DATE	BY	CHKBY
E	REVISED AND REDRAWN	04-22-16	JAP	GM



COMPONENT BREAKDOWN DATA COOL 2 AND 3 TON			
			
DRAWN BY : G. SALDIVAR		SCALE: NONE	
CHECKED BY :		SH 1 OF 1	
DATE :	03-16-2007	REV	E
PART OF			
557-900-002 DWG NO.			