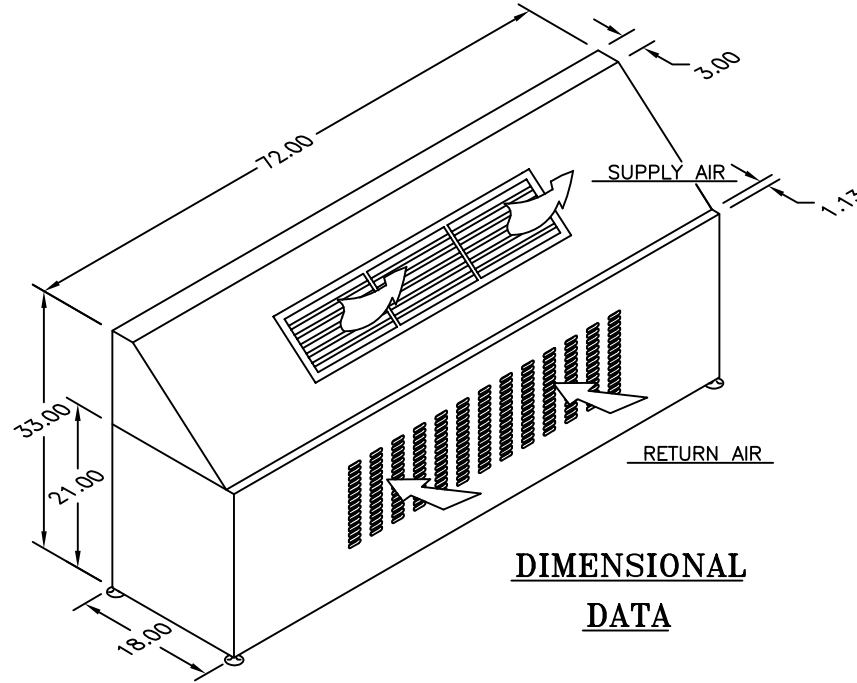
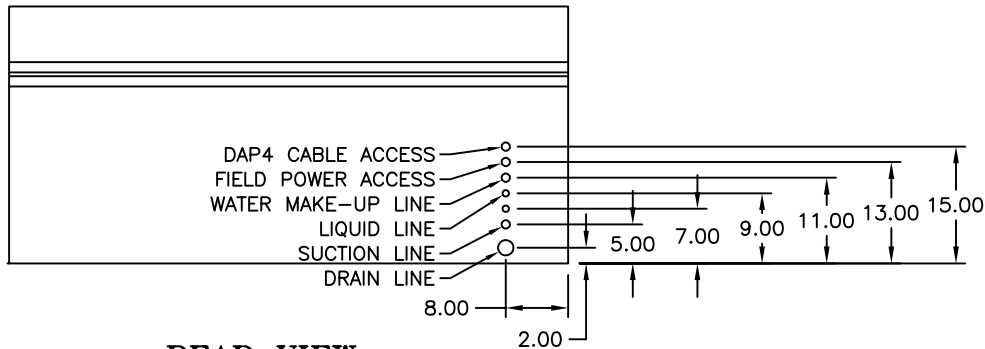


NOTES:

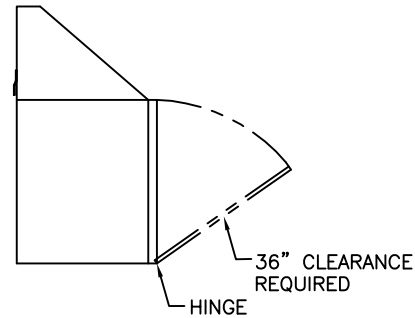
REVISIONS				
REV	DESCRIPTION	DATE	BY	CHKBY
D	UPDATED HOLE LOCATION DIMENSIONS	01-28-19	TB	AD



DIMENSIONAL DATA



REAR VIEW



SIDE VIEW

DATA COOL
2 AND 3 TON
DX UPFLOW



DRAWN BY : G. SALDIVAR	SCALE: NONE
CHECKED BY : -	SH 1 OF 2
DATE : 03-16-07	REV D

PART OF

557-900-003
DWG NO.