

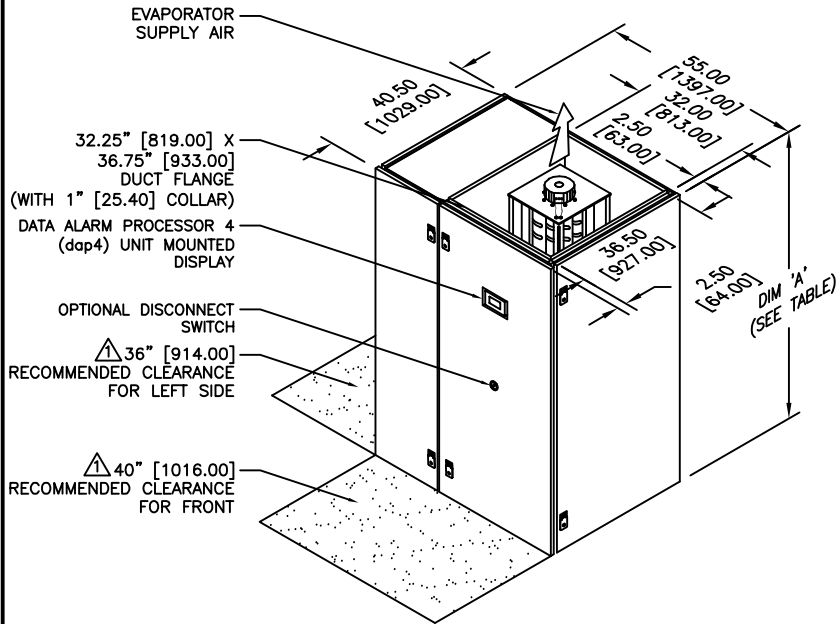
NOTES:

- 1. DIMENSIONS NOTED ARE THE MINIMUM CLEARANCES REQUIRED BY THE FACTORY. CONSULT LOCAL BUILDING CODES AND NEC FOR ADDITIONAL CLEARANCE REQUIREMENTS.
 - 2. ALL STANDARD PIPING TERMINATES INSIDE OF CABINET. ALL OPTIONAL PIPING (TOP/SIDE) TERMINATES OUTSIDE OF CABINET.
 - 3. NOT ALL COMPONENTS AND OPTIONS ARE SHOWN. LOCATIONS MAY VARY DEPENDING ON OPTIONS.
 - 4. THESE UNITS REQUIRE REMOTE CONDENSERS.
 - 5. ALL UNIT DIMENSIONS ARE IN INCH [mm] FORMAT.
- △ SEE TABLE FOR CONNECTION PIPE SIZES.

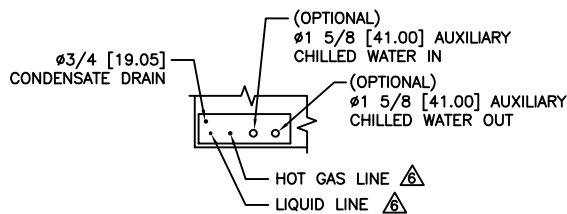
	CONNECTION PIPE SIZE (φ)					
UNIT (KW)	28		35		46	
LIQUID	5/8	[15.88]	5/8	[15.88]	7/8	[22.23]
HOT GAS	3/4	[19.05]	3/4	[19.05]	7/8	[22.23]

DIM 'A'	
78.00"	[1981.00] WITH 3KW FAN
84.00"	[2134.00] WITH 5KW FAN

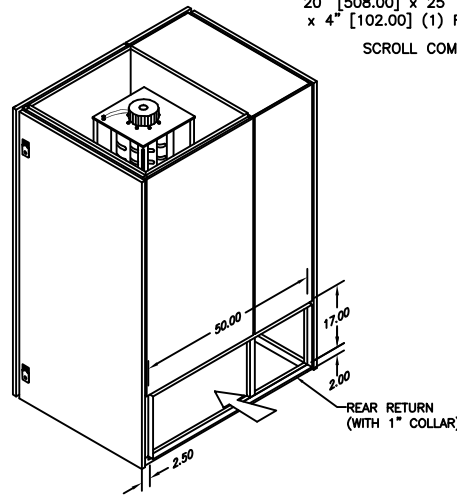
REVISIONS				
REV	DESCRIPTION	DATE	BY	CHKBY
-	-	-	-	-



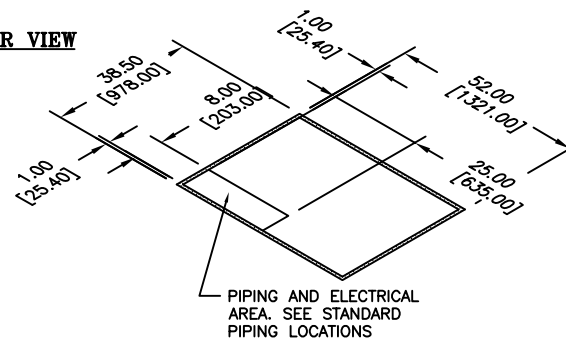
DIMENSIONAL DATA



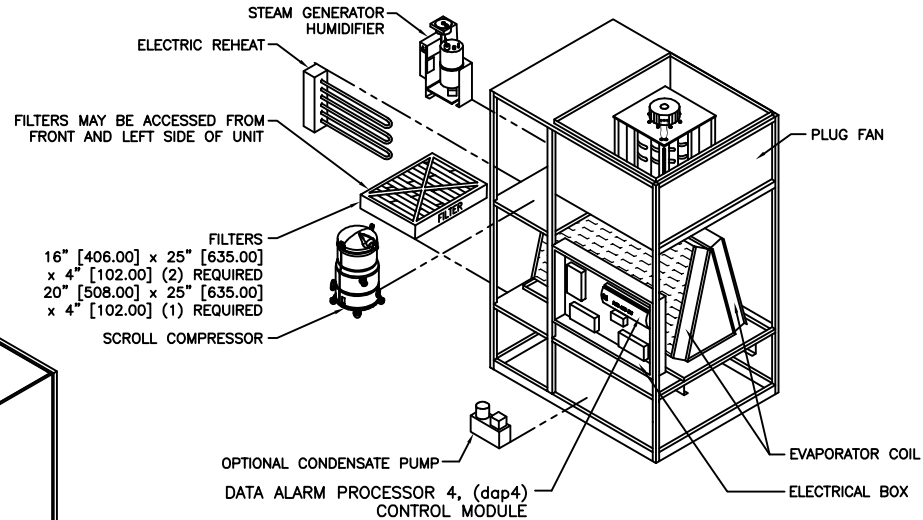
STANDARD PIPING LOCATIONS



REAR VIEW



FRAME DIMENSIONS



COMPONENT BREAKDOWN

gForce GT DX CO 28-48 KW
 REAR RETURN
 AIR COOLED UPFLOW
 WITH REMOTE CONDENSER



DRAWN BY : EBARRIENTOS	SCALE: NONE
CHECKED BY : BMOSES	SH 1 OF 1
DATE : 02-25-2021	REV -

PART OF

560-900-205

DWG NO.