

NOTES:

- 1. DEPTH OF DATA AIRE UNITS WITH OPTIONAL ENERGY SAVER OR AUXILIARY CHILLED WATER COIL INCREASES TO 40.50".
- 2. FOR OPTIONAL SIDE SUPPLY GRILLES: UNITS AT 34.50" DEEP USE 28 X 20 GRILLE, UNITS AT 40.50" DEEP USE 34 X 20 GRILLE.

| REVISIONS | | | | |
|-----------|---------------|----------|----|-------|
| REV | DESCRIPTION | DATE | BY | CHKBY |
| E | UPDATED TITLE | 02-28-19 | NM | AD |

| gForce GT UNITS | | | FRONT SUPPLY GRILLE | |
|-----------------|-------|----------------|---------------------|----------|
| "A" | "B" | UNIT SIZE (KW) | SIZE | QUANTITY |
| 36.00 | 40.50 | 7, 11, 14, 18 | 28 X 20 | 1 |
| 53.50 | 40.50 | 28, 35, 46 | 46 X 20 | 1 |

| gForce GT E/S AUX CW UNITS | | | FRONT SUPPLY GRILLE | |
|----------------------------|-------|----------------|---------------------|----------|
| "A" | "B" | UNIT SIZE (KW) | SIZE | QUANTITY |
| 41.00 | 40.50 | 7, 11, 14, 18 | 28 X 20 | 1 |

| DATA TEMP UNITS | | | FRONT SUPPLY GRILLE | |
|-----------------|-------|-------------------|---------------------|----------|
| "A" | "B" | UNIT SIZE (TON) | SIZE | QUANTITY |
| 36.00 | 34.50 | 2, 3, 4, 5 (DT) | 28 X 20 | 1 |
| 49.50 | 34.50 | 8, 10, 13(MOD DT) | 46 X 20 | 1 |

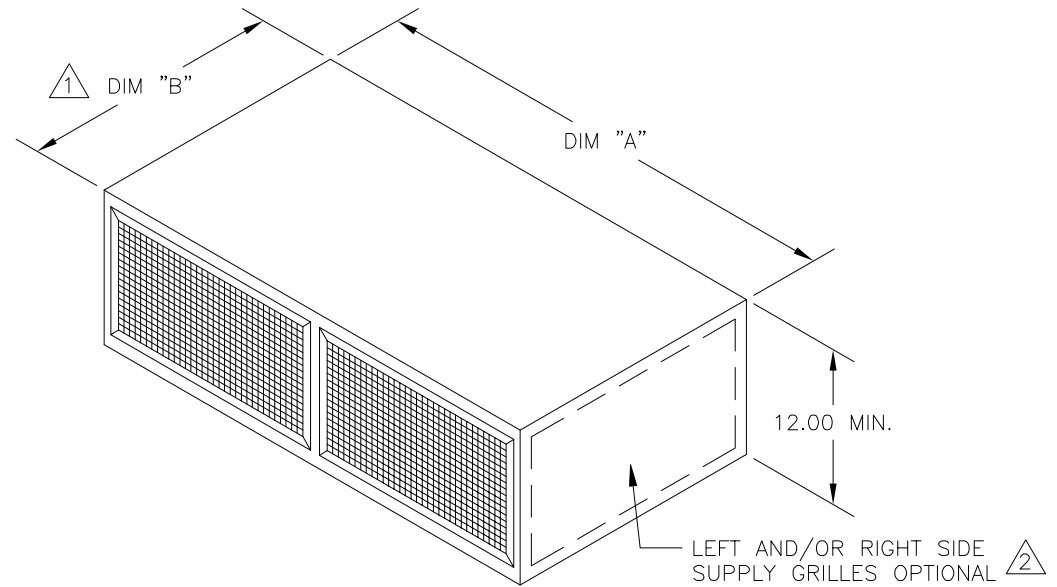
| DATA TEMP E/S AUX CW UNITS | | | FRONT SUPPLY GRILLE | |
|----------------------------|-------|-----------------|---------------------|----------|
| "A" | "B" | UNIT SIZE (TON) | SIZE | QUANTITY |
| 41.00 | 34.50 | 2, 3, 4, 5 (DT) | 28 X 20 | 1 |

| gForce DX UNITS | | | FRONT SUPPLY GRILLE | |
|-----------------|-------|----------------|---------------------|----------|
| "A" | "B" | UNIT SIZE (KW) | SIZE | QUANTITY |
| 72.50 | 40.50 | 21, 28, 35, 46 | 34 X 20 | 2 |
| 100.00 | 40.50 | 56, 70, 91 | 28 X 20 | 3 |
| 130.00 | 40.50 | 106 | 28 X 20 | 4 |

| DATA AIRE DX UNITS | | | FRONT SUPPLY GRILLE | |
|--------------------|-------|-----------------|---------------------|----------|
| "A" | "B" | UNIT SIZE (TON) | SIZE | QUANTITY |
| 62.50 | 34.50 | 6, 8, 10 | 28 X 20 | 2 |
| 75.00 | 34.50 | 13 | 34 X 20 | 2 |
| 94.00 | 34.50 | 16, 20, 26 | 28 X 20 | 3 |
| 125.50 | 34.50 | 30 | 28 X 20 | 4 |

1

| gForce ULTRA UNITS | | | FRONT SUPPLY GRILLE | |
|--------------------|-------|----------------|---------------------|----------|
| "A" | "B" | UNIT SIZE (KW) | SIZE | QUANTITY |
| 53.50 | 40.50 | 22 | 46 X 20 | 1 |
| 72.50 | 40.50 | 36, 45 | 34 X 20 | 2 |
| 106.00 | 40.50 | 70, 91 | 46 X 20 | 2 |
| 139.50 | 40.50 | 125 | 28 X 20 | 4 |



ISOMETRIC VIEW

| gForce CHILLED WATER UNITS | | | FRONT SUPPLY GRILLE | |
|----------------------------|-------|----------------|---------------------|----------|
| "A" | "B" | UNIT SIZE (KW) | SIZE | QUANTITY |
| 36.00 | 40.50 | 7, 11, 14, 18 | 28 X 20 | 1 |
| 49.50 | 40.50 | 25, 32, 39, 46 | 46 X 20 | 1 |
| 83.00 | 40.50 | 53, 63, 77, 91 | 34 X 20 | 2 |
| 106.00 | 40.50 | 106 | 46 X 20 | 2 |
| 120.00 | 40.50 | 141, 158, 176 | 34 X 20 | 3 |

| DATA AIRE CHILLED WATER UNITS | | | FRONT SUPPLY GRILLE | |
|-------------------------------|-------|-----------------|---------------------|----------|
| "A" | "B" | UNIT SIZE (TON) | SIZE | QUANTITY |
| 43.50 | 34.50 | 7, 9, 11, 13 | 34 X 20 | 1 |
| 75.00 | 34.50 | 15, 18, 22, 26 | 34 X 20 | 2 |
| 106.50 | 34.50 | 30 | 46 X 20 | 2 |
| 125.50 | 34.50 | 40, 45, 50 | 28 X 20 | 4 |

1

DISCHARGE AIR PLENUM
FOR gForce & DATA AIRE
UPFLOW UNITS

dataaire

| | |
|----------------------|-------------|
| DRAWN BY : J. PATTON | SCALE: NONE |
| CHECKED BY : - | SH 1 OF 1 |
| DATE : 06-14-2010 | REV E |

PART OF
560-917-001
DWG NO.