

NOTES:

- 1. DEPTH OF DATA AIRE UNITS WITH OPTIONAL ENERGY SAVER OR AUXILIARY CHILLED WATER COIL INCREASES TO 40.50".
- 2. FOR OPTIONAL SIDE SUPPLY GRILLES: UNITS AT 34.50" DEEP USE 28 X 20 GRILLE, UNITS AT 40.50" DEEP USE 34 X 20 GRILLE.

REVISIONS				
REV	DESCRIPTION	DATE	BY	CHKBY
F	CHANGED HEIGHT FROM 12.00 TO 24.00	07-17-19	MC	BM

gForce GT UNITS			FRONT SUPPLY GRILLE	
"A"	"B"	UNIT SIZE (KW)	SIZE	QUANTITY
36.00	40.50	7, 11, 14, 18	28 X 20	1
53.50	40.50	28, 35, 46	46 X 20	1

gForce GT E/S AUX CW UNITS			FRONT SUPPLY GRILLE	
"A"	"B"	UNIT SIZE (KW)	SIZE	QUANTITY
41.00	40.50	7, 11, 14, 18	28 X 20	1

DATA TEMP UNITS			FRONT SUPPLY GRILLE	
"A"	"B"	UNIT SIZE (TON)	SIZE	QUANTITY
36.00	34.50	2, 3, 4, 5 (DT)	28 X 20	1
49.50	34.50	8, 10, 13(MOD DT)	46 X 20	1

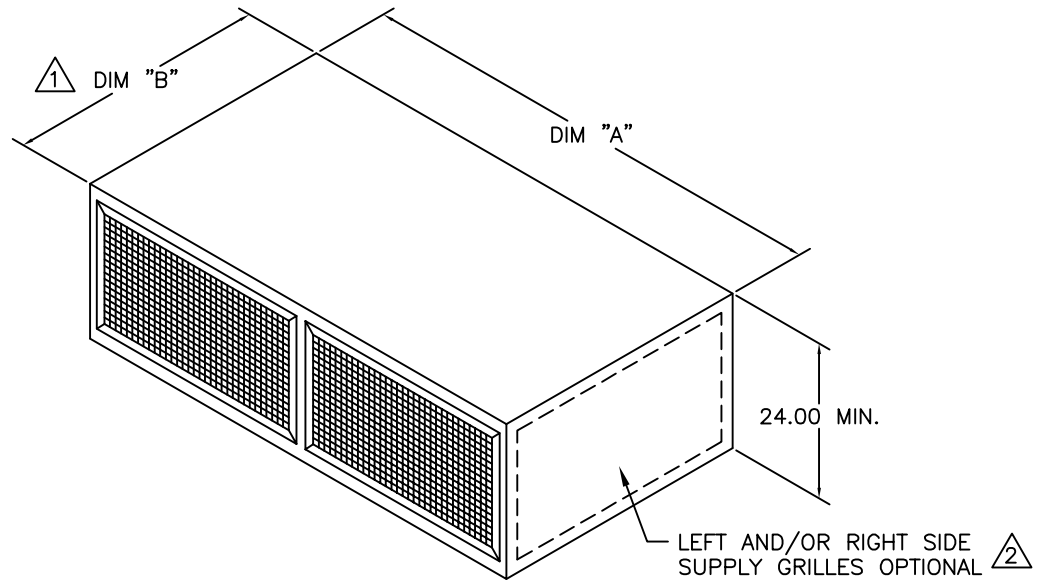
DATA TEMP E/S AUX CW UNITS			FRONT SUPPLY GRILLE	
"A"	"B"	UNIT SIZE (TON)	SIZE	QUANTITY
41.00	34.50	2, 3, 4, 5 (DT)	28 X 20	1

gForce DX UNITS			FRONT SUPPLY GRILLE	
"A"	"B"	UNIT SIZE (KW)	SIZE	QUANTITY
72.50	40.50	21, 28, 35, 46	34 X 20	2
100.00	40.50	56, 70, 91	28 X 20	3
130.00	40.50	106	28 X 20	4

DATA AIRE DX UNITS			FRONT SUPPLY GRILLE	
"A"	"B"	UNIT SIZE (TON)	SIZE	QUANTITY
62.50	34.50	6, 8, 10	28 X 20	2
75.00	34.50	13	34 X 20	2
94.00	34.50	16, 20, 26	28 X 20	3
125.50	34.50	30	28 X 20	4



gForce ULTRA UNITS			FRONT SUPPLY GRILLE	
"A"	"B"	UNIT SIZE (KW)	SIZE	QUANTITY
53.50	40.50	22	46 X 20	1
72.50	40.50	36, 45	34 X 20	2
106.00	40.50	70, 91	46 X 20	2
139.50	40.50	125	28 X 20	4



ISOMETRIC VIEW

gForce CHILLED WATER UNITS			FRONT SUPPLY GRILLE	
"A"	"B"	UNIT SIZE (KW)	SIZE	QUANTITY
36.00	40.50	7, 11, 14, 18	28 X 20	1
49.50	40.50	25, 32, 39, 46	46 X 20	1
83.00	40.50	53, 63, 77, 91	34 X 20	2
106.00	40.50	106	46 X 20	2
120.00	40.50	141, 158, 176	34 X 20	3

DATA AIRE CHILLED WATER UNITS			FRONT SUPPLY GRILLE	
"A"	"B"	UNIT SIZE (TON)	SIZE	QUANTITY
43.50	34.50	7, 9, 11, 13	34 X 20	1
75.00	34.50	15, 18, 22, 26	34 X 20	2
106.50	34.50	30	46 X 20	2
125.50	34.50	40, 45, 50	28 X 20	4



DISCHARGE AIR PLENUM FOR gForce & DATA AIRE UPFLOW UNITS			
DRAWN BY : J. PATTON		SCALE: NONE	
CHECKED BY : -		SH 1 OF 1	
DATE : 06-14-2010		REV	F
PART OF			
560-917-001			
DWG NO.			