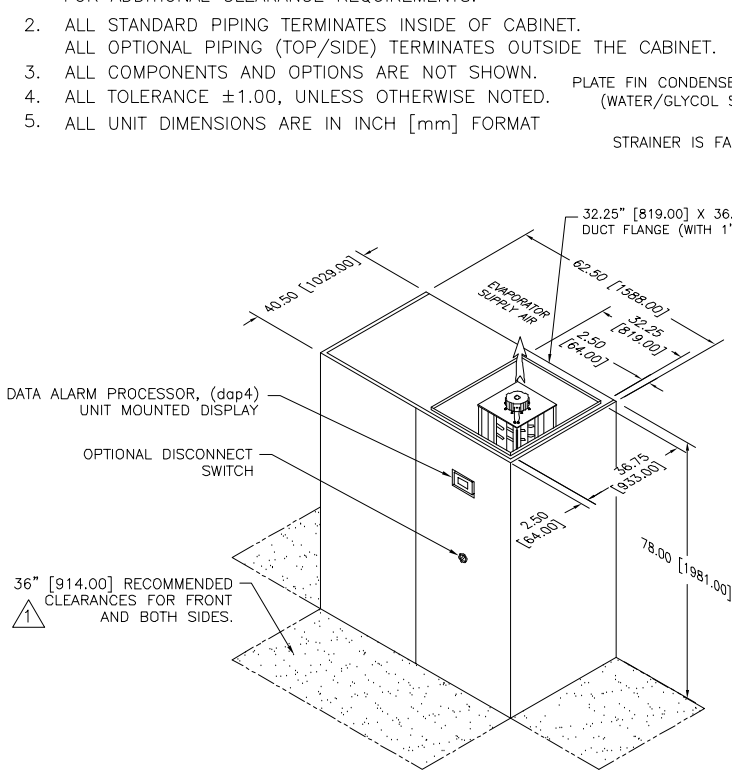


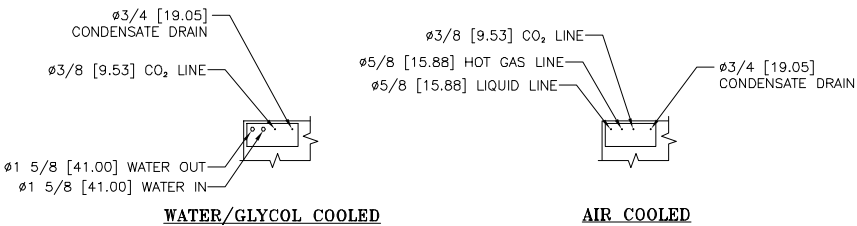
NOTES:

1. DIMENSIONS NOTED ARE THE MINIMUM CLEARANCES REQUIRED BY THE FACTORY. CONSULT LOCAL BUILDING CODES AND NEC FOR ADDITIONAL CLEARANCE REQUIREMENTS.
2. ALL STANDARD PIPING TERMINATES INSIDE OF CABINET. ALL OPTIONAL PIPING (TOP/SIDE) TERMINATES OUTSIDE THE CABINET.
3. ALL COMPONENTS AND OPTIONS ARE NOT SHOWN.
4. ALL TOLERANCE ± 1.00 , UNLESS OTHERWISE NOTED.
5. ALL UNIT DIMENSIONS ARE IN INCH [mm] FORMAT

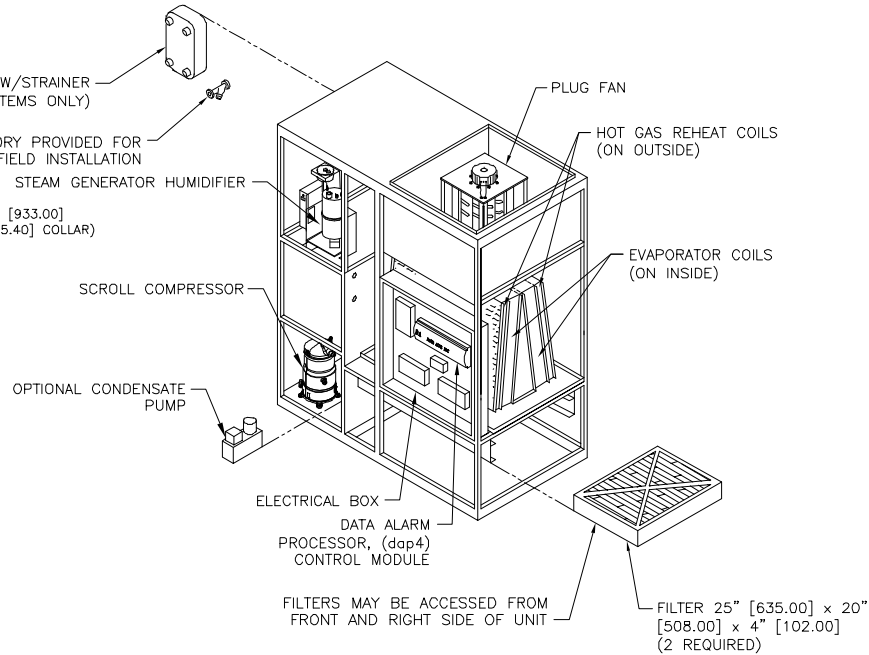
REVISIONS				
REV	DESCRIPTION	DATE	BY	FROM
-	-	-	-	-



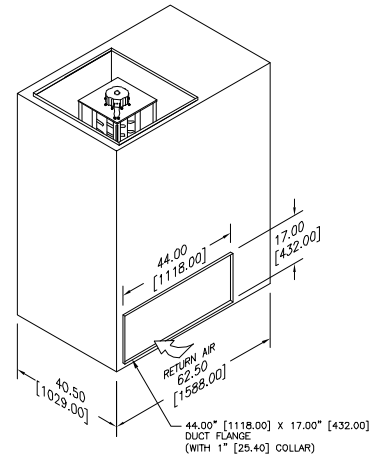
DIMENSIONAL DATA



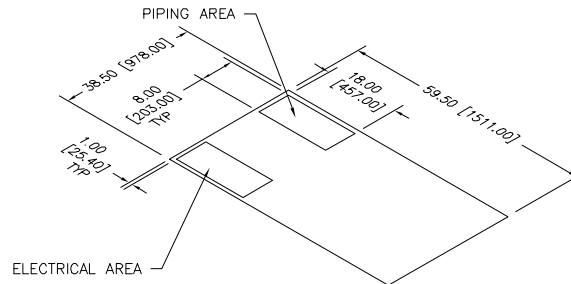
STANDARD PIPING LOCATIONS



COMPONENT BREAKDOWN



REAR VIEW



FLOOR LAYOUT DIMENSIONS

G-POD FLOOR UNIT
DX UPFLOW 8, 10, & 13 TON
WITH REAR RETURN

DRAWN BY : M. COCHRAN SCALE: NONE
 CHECKED BY : A. DELGADO SH 1 OF 1
 DATE : 10-05-2018 REV -

PART OF
570-900-743
 DWG NO.